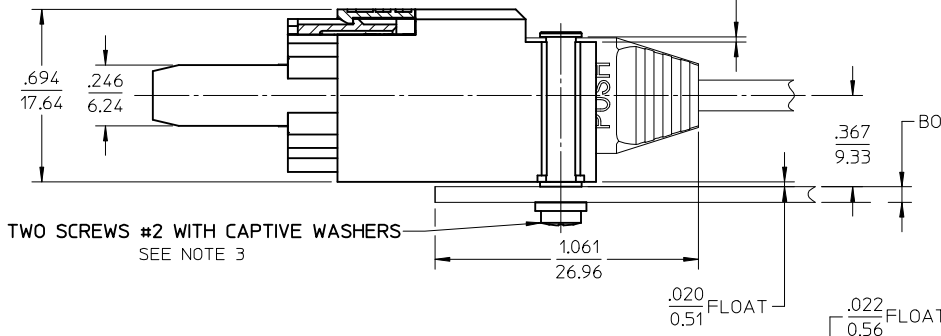
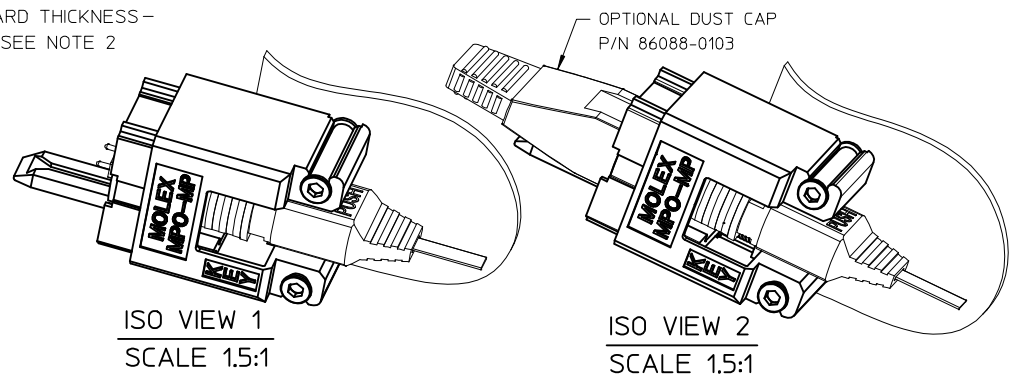


RECOMMENDED MOUNTING PATTERN
SCALE 1:1
SECTION C-C



SECTION B-B

- NOTES:
1. ALL DIMENSIONS ARE GIVEN IN INCHES/MM.
 2. BOARD THICKNESS FROM .063" TO .094"/1.6mm TO 2.4mm.
 3. TWO SCREWS ARE INSTALLED BY USER.
RECOMMENDED TORQUE: 2.5 TO 4 INCH.LBS (0.28 TO 0.45 N.m)
DEPENDING ON SUBSTRATE MATERIAL.
USER IS RESPONSIBLE TO DETERMINE THE PROPER TORQUE.
 4. MIDPLANE, FRONT BOARD AND REAR TRANSITION MODULE (RTM) SHOULD HAVE ALIGNMENT AND KEYING ACCORDING TO ATCA REQUIREMENTS.
 5. NO OPTICAL CONNECTIONS SHALL BE MADE UNTIL MIDPLANE (BACKPLANE) ALIGNMENT PINS CONNECTED WITH FEMALE RECEPTACLES OF THE FRONT BOARD AND REAR TRANSITION MODULE (RTM).
 6. TWO SIDES ARE TO BE WITHIN THE RANGE OF THIS DIMENSION (FROM 2.098" TO 1.898") ONCE MATED.

ENTER DESCRIPTION EC NO: MF2014-0356 DR: MANNICHEN 2013/11/25 CHKD: LGUMIN 2013/11/26 APPR: LGUMIN 2013/11/26 A1	QUALITY SYMBOLS 	GENERAL TOLERANCES (UNLESS SPECIFIED)		DIMENSION STYLE IN/MM		SCALE 2:1	DESIGN UNITS INCH	THIRD ANGLE PROJECTION			
		4 PLACES ± --- ± ---	3 PLACES ± --- ± ---	2 PLACES ± --- ± ---	1 PLACE ± --- ± ---	mm	INCH	DRAWN BY YB	DATE 10.28.05	TITLE MPO MIDPLANE CONNECTOR	
		ANGULAR ± ---°				DRAFT WHERE APPLICABLE MUST REMAIN WITHIN DIMENSIONS		CHECKED BY SM	DATE 10.28.05	MATERIAL NO. 1060880100	
		APPROVED BY IM				DATE 10.28.05		DOCUMENT NO. SD-106088-0100		SHEET NO. 1 OF 1	