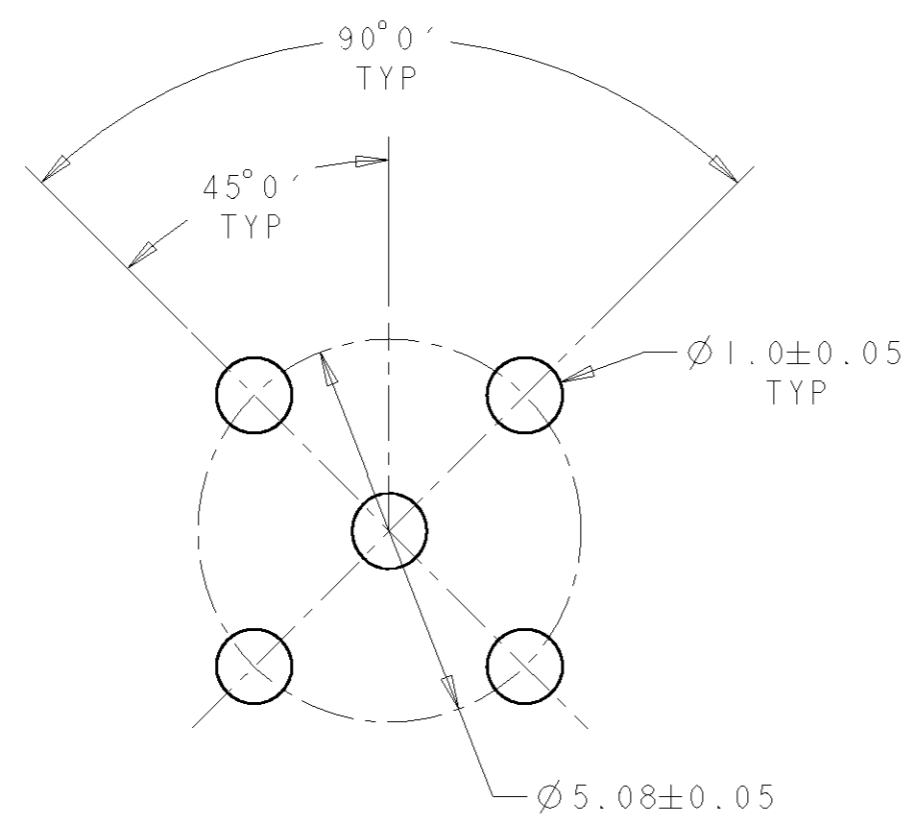
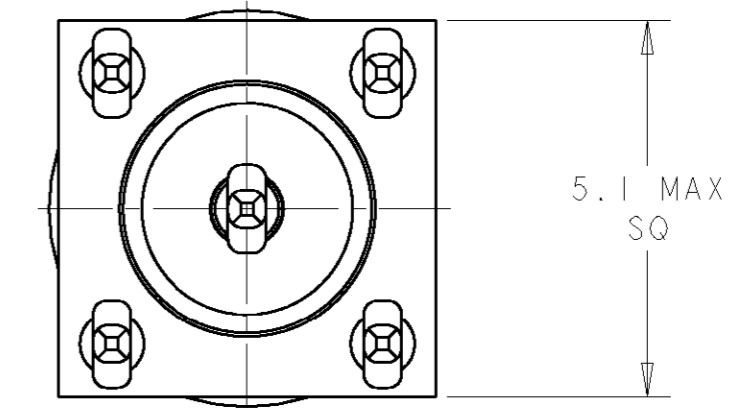
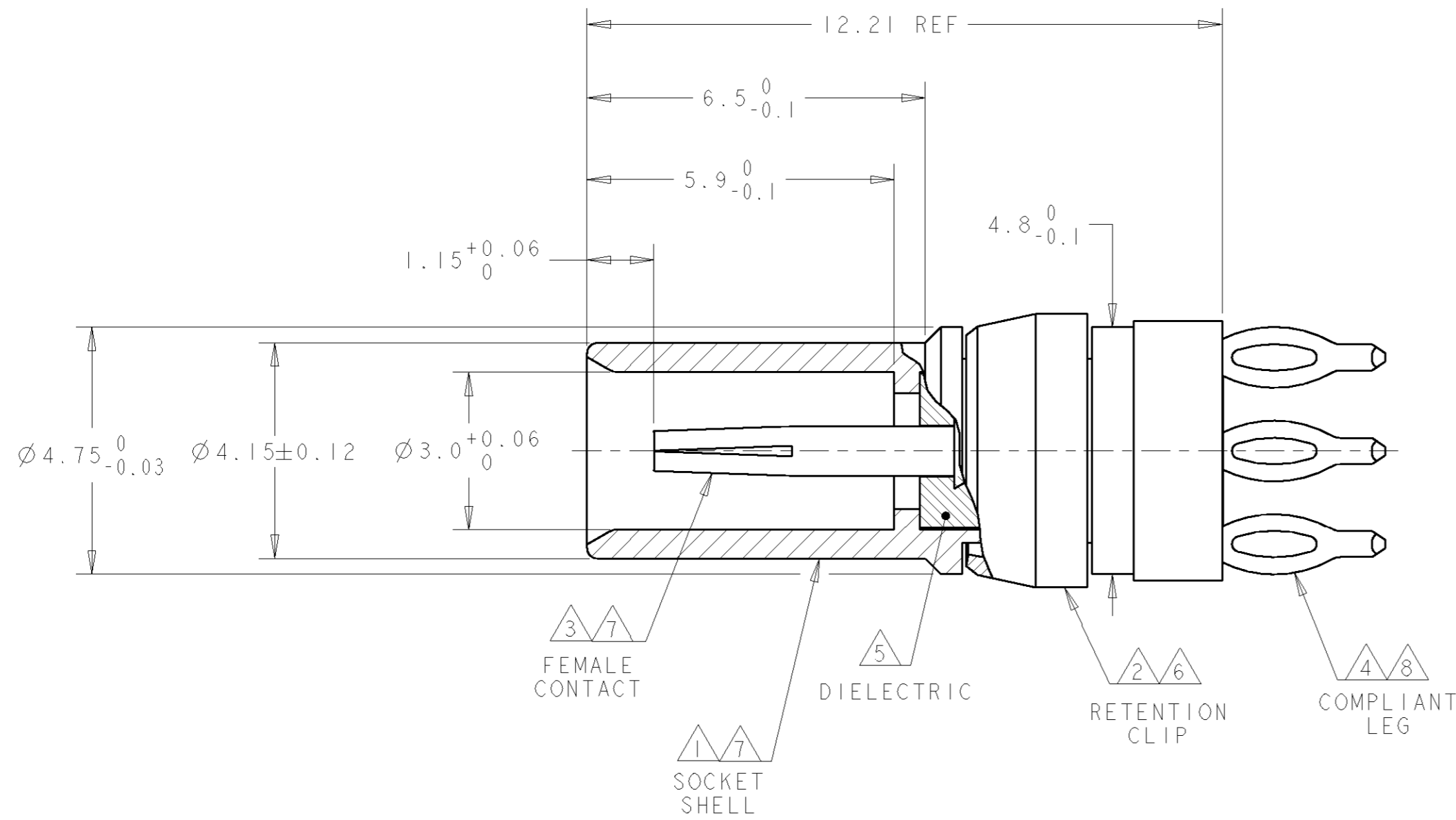


THIS DRAWING IS UNPUBLISHED. RELEASED FOR PUBLICATION .19
 BY AMP INCORPORATED. ALL RIGHTS RESERVED.

LOC	DIST	REVISIONS			
P	LTR	DESCRIPTION	DATE	DWN	APVD
AJ	16				
	A	REV PER 0G21-0007-98	07MAY98	SB	KW
	B	REV PER 0U20-0387-00	29AUG00	MO	KW



RECOMMENDED PC BOARD LAYOUT

- 1 BRASS PER ASTM-B-16
- 2 BERYLLIUM COPPER PER ASTM-B-194
- 3 BERYLLIUM COPPER PER ASTM-B-196
- 4 PHOS BRONZE PER ASTM-B-103
- 5 PTFE PER ASTM-D-1710
- 6 NICKEL PLATE PER QQ-N-290
- 7 GOLD PLATE PER MIL-G-45204
- 8 TIN-LEAD PLATE PER ASTM-B-545

148385-1
PART NUMBER

THIS DRAWING IS A CONTROLLED DOCUMENT FOR AMP INCORPORATED. IT IS SUBJECT TO CHANGE AND THE CONTROLLING ENGINEERING ORGANIZATION SHOULD BE CONTACTED FOR THE LATEST REVISION.		DWN AJ GRAFF 25SEP97	AMP Incorporated Harrisburg, PA 17105-3608		
DIMENSIONS: mm		CHK RC HOSLER 25SEP97	NAME SOCKET, PCB, VERTICAL, COMPLIANT TYPE C		
TOLERANCES UNLESS OTHERWISE SPECIFIED: 0 PLC ± 1 PLC ± 2 PLC ± 3 PLC ± 4 PLC ± ANGLES ± FINISH -		APVD RA PATTERSON 25SEP97			
MATERIAL -		PRODUCT SPEC -	SIZE A2	CAGE CODE 00779	DRAWING NO 148385
		APPLICATION SPEC -	SCALE 10:1		SHEET 1 OF 1 REV B
		WEIGHT -	CUSTOMER DRAWING		