

1743632-2 ✓ ACTIVE

Multilock Connector System

TE Internal #: 1743632-2

36 Position, Sealable, Black, Cable Mount (Free-Hanging), Key A,
Multilock Connector System

[View on TE.com >](#)



Connectors > Automotive Connectors > Automotive Housings > MULTILOCK, CONNECTOR HOUSING



Number of Positions: 36

Sealable: **Yes**

Hybrid Connector: **Yes**

Primary Product Color: **Black**

Connector Mounting Type: **Cable Mount (Free-Hanging)**

[All MULTILOCK, CONNECTOR HOUSING \(567\)](#)

Features

Product Type Features

Connector Shape	Rectangular
Sealable	Yes
Hybrid Connector	Yes

Configuration Features

Number of Positions	36
---------------------	----

Body Features

Primary Product Color	Black
Connector & Keying Code	A

Contact Features

Contact Size	1.6mm, 2.8mm
--------------	--------------

Mechanical Attachment

Mating Alignment Type	Keyed
Mating Alignment	With



Connector Mounting Type	Cable Mount (Free-Hanging)
-------------------------	----------------------------

Packaging Features

Packaging Quantity	75
Packaging Method	Box

Product Compliance

[For compliance documentation, visit the product page on TE.com>](#)

EU RoHS Directive 2011/65/EU	Compliant
EU ELV Directive 2000/53/EC	Compliant
China RoHS 2 Directive MIIT Order No 32, 2016	No Restricted Materials Above Threshold
EU REACH Regulation (EC) No. 1907/2006	Current ECHA Candidate List: JUNE 2023 (235) Candidate List Declared Against: JAN 2023 (233) Does not contain REACH SVHC
Halogen Content	Low Halogen - Br, Cl, F, I < 900 ppm per homogenous material. Also BFR/CFR/PVC Free
Solder Process Capability	Not applicable for solder process capability

Product Compliance Disclaimer

This information is provided based on reasonable inquiry of our suppliers and represents our current actual knowledge based on the information they provided. This information is subject to change. The part numbers that TE has identified as EU RoHS compliant have a maximum concentration of 0.1% by weight in homogenous materials for lead, hexavalent chromium, mercury, PBB, PBDE, DBP, BBP, DEHP, DIBP, and 0.01% for cadmium, or qualify for an exemption to these limits as defined in the Annexes of Directive 2011/65/EU (RoHS2). Finished electrical and electronic equipment products will be CE marked as required by Directive 2011/65/EU. Components may not be CE marked. Additionally, the part numbers that TE has identified as EU ELV compliant have a maximum concentration of 0.1% by weight in homogenous materials for lead, hexavalent chromium, and mercury, and 0.01% for cadmium, or qualify for an exemption to these limits as defined in the Annexes of Directive 2000/53/EC (ELV). Regarding the REACH Regulation, the information TE provides on SVHC in articles for this part number is based on the latest European Chemicals Agency (ECHA) 'Guidance on requirements for substances in articles' posted at this URL: <https://echa.europa.eu/guidance-documents/guidance-on-reach>

Compatible Parts



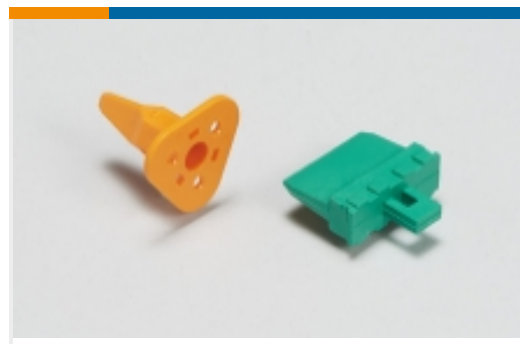
Also in the Series | **Multilock Connector System**



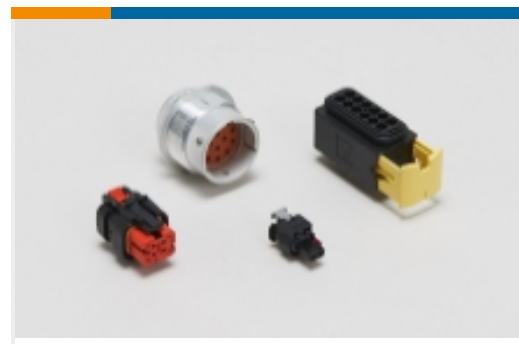
Automotive Connector Caps & Covers (17)



Automotive Connector EMC Shielding (1)



Automotive Connector Locks & Position Assurance(2)



Automotive Housings(603)



Automotive Terminals(141)



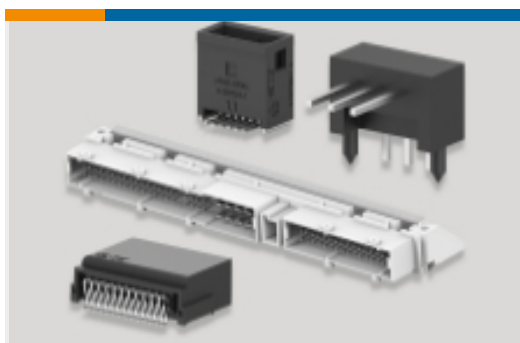
Connector Seals & Cavity Plugs(2)



Insertion & Extraction Tools(6)



Other Automotive Connector Accessories(14)



PCB Headers & Receptacles(142)

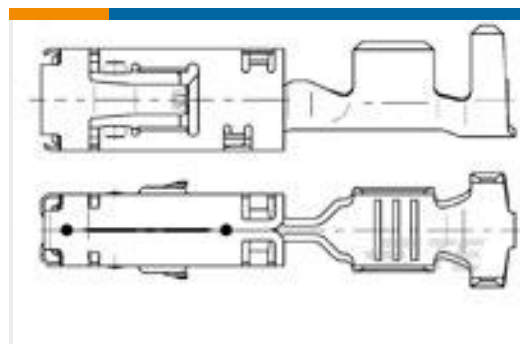
Customers Also Bought



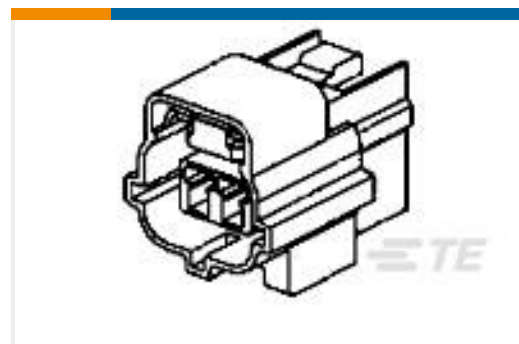
TE Part #1743354-2
MT-II/JPT SLD 16P CAP HSG



TE Part #1-968947-1
TAB 2.8x0.8 CONTACT CF SWS Sn



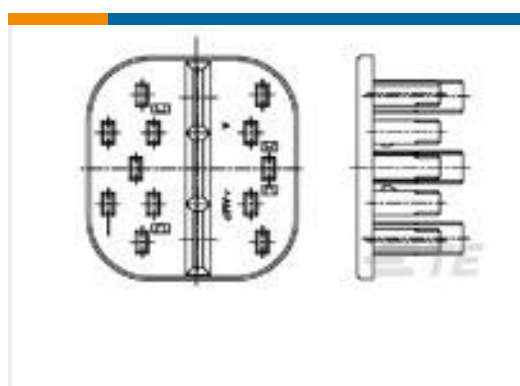
TE Part #967543-2
SENS FLA-KONT 2,8



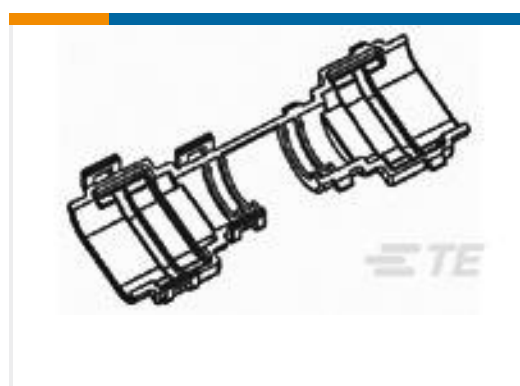
TE Part #368523-1
E-S MK-2(+) 3P PLUG ASS'Y



TE Part #1743064-2
MT-2/JPT SLD 36P PLUG COVER BK



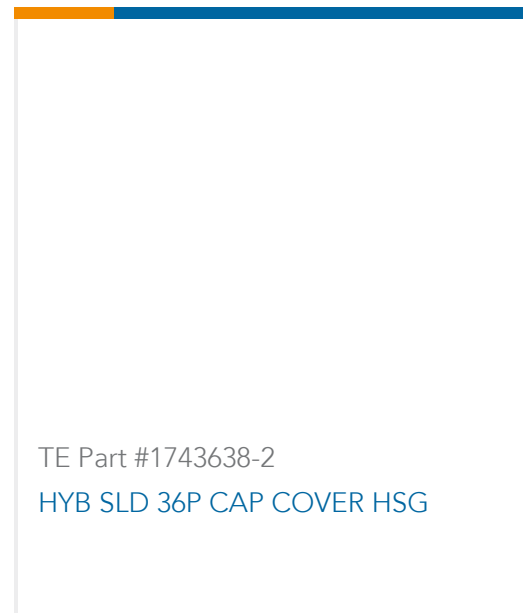
TE Part #85223-1
E-J MK-II(+) 15P PLUG DBL



TE Part #936112-1
2.8mm Sealed 3P Cover



TE Part #2066010-1
2P SUPERSEAL 1.5 SRS PLUG ASSY
BLACK



Documents

Product Drawings

[HYB SLD 36P PLUG ASSY](#)

English

CAD Files

[3D PDF](#)

3D

Customer View Model

[ENG_CVM_CVM_1743632-2_F.2d_dxf.zip](#)

English

Customer View Model

[ENG_CVM_CVM_1743632-2_F.3d_igs.zip](#)

English

Customer View Model

[ENG_CVM_CVM_1743632-2_F.3d_stp.zip](#)

English

By downloading the CAD file I accept and agree to the [Terms and Conditions](#) of use.

Datasheets & Catalog Pages

[MULTILOCK Connector System](#)

English

Product Specifications

[Product Specification](#)

English