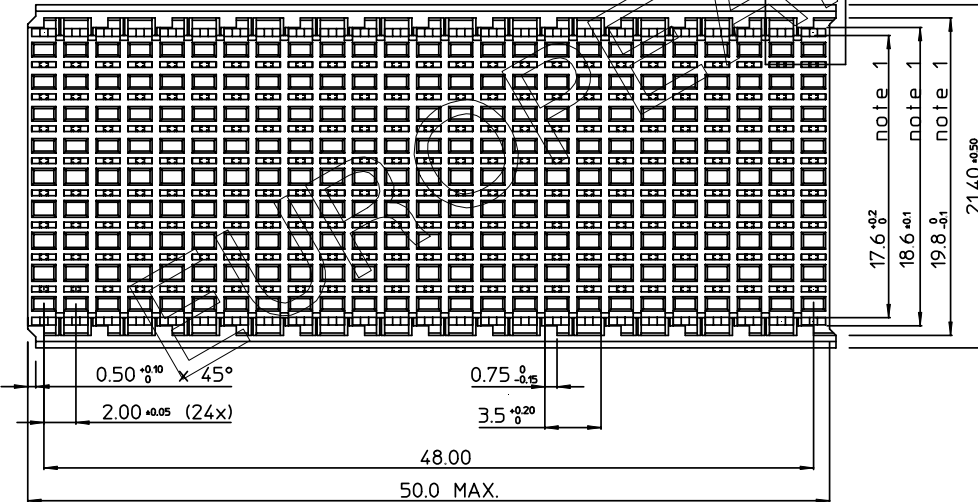
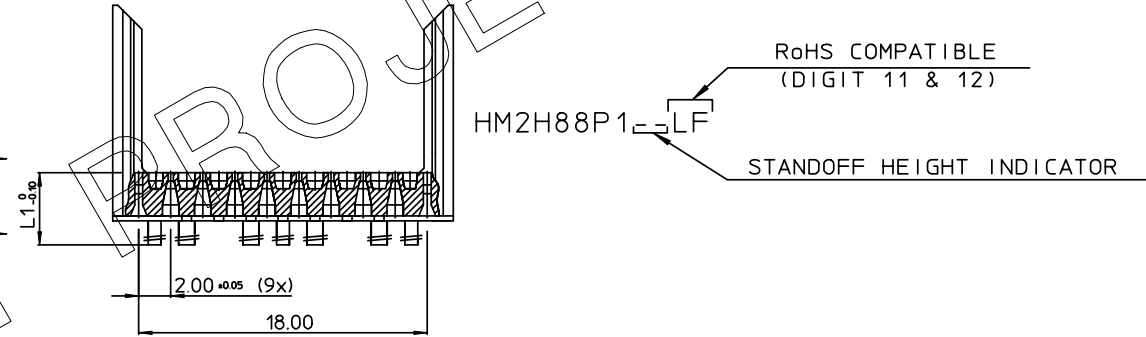
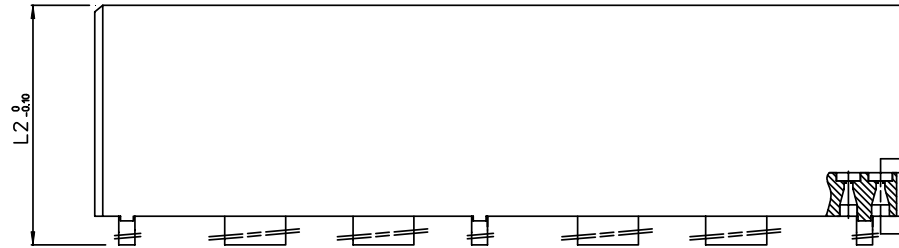
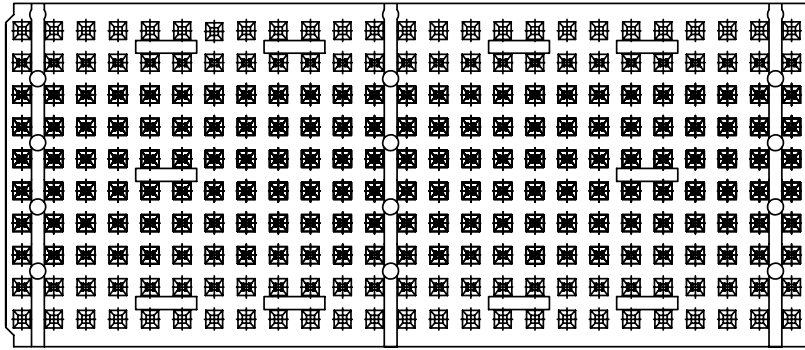


GEN. ST.	01	02	03	04	05	06	07	08	0D	50	60	70	80	90																	
INT. ST.	10	11	12	13	14	18	20	31	32	33	34	38	39	40	42	43	44	45	46	48	56	70	72	73	75	76	81	82	83	84	88


REV.	DATE	DESCRIPTION	BY	C'K'D'
E	2011-06-13	111-0119	ALEX B	BKP
C	2005-11-22	105-0241	ALEX B	BKP
D	2006-08-08	106-0144	ALEX B	BKP

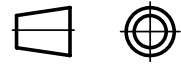
- NOTES:
1. MEASURED AT THE BOTTOM
  2. MATERIAL: GLASSREINFORCED POLYESTER UL94 - V0
  3. THE \*LF\* PRODUCT MEETS EUROPEAN UNION DIRECTIVES AND OTHER COUNTRY REGULATIONS AS DESCRIBED IN GS-22-008.
  4. PARTS WITH AND WITHOUT SUFFIX LF TO THE PRODUCT PART NUMBER ARE IDENTICAL IN FORM, FIT AND FUNCTION. LF SUFFIX IS ADDED TO THE PART NUMBER OF THIS PRODUCT TO HAVE UNIFORM IDENTIFICATION OF ALL RoHS COMPATIBLE PRODUCTS.

ABRIDGED  
CAT No MARKED



PART NUMBER	L1	L2	
HM2H88P1LF	3.0	13.45	AVAILABLE
HM2H88P109LF	3.9	14.35	AVAILABLE
HM2H88P111LF	4.1	14.55	AVAILABLE
HM2H88P115LF	4.5	14.95	AVAILABLE
HM2H88P117LF	4.7	15.15	AVAILABLE
HM2H88P119LF	4.9	15.35	AVAILABLE
HM2H88P122LF	5.2	15.65	AVAILABLE
HM2H88P130LF	6.0	16.45	AVAILABLE

1DEC ±0,2 2DEC ±0,1 ANGLES ±1°	<b>APPR.</b>	<b>DATE</b>	<b>SIGN.</b>	MPACS 8+2R SHROUD TYPE E
	DRAFT	1997-05-13	M.Fret	<b>CAT. No.</b> HM2H88P1--LF  www.fciconnect.com
	CHECKED			
WE RESERVE THE RIGHT TO CHANGE DIMENSIONS OR REQUIREMENTS WITHOUT PRIOR NOTICE.				
ALL DIMENSIONS IN MM				



REFERENCES

THIS IS OUR EXCLUSIVE PROPERTY. IT IS NOT TO BE COPIED, REPRINTED OR DISCLOSED TO A THIRD PARTY, NOR USED FOR MANUFACTURING WITHOUT OUR WRITTEN CONSENT, AND HAS TO BE RETURNED TO US IN CASE OF NO USAGE

DIT IS ONZE EIGENDOM EN MAG NIET NAGEMAAKT, HERDRIKT, OVERGEMAAKT AAN DEREN, NOCH VOOR FABRIKATIE GEBRUIKT WORDEN, ZONDER ONZE SCHRIFTELIJKE TOELATING. BIJ NIET GEBRUIK IS TERUGZENDING VERPLICHT.