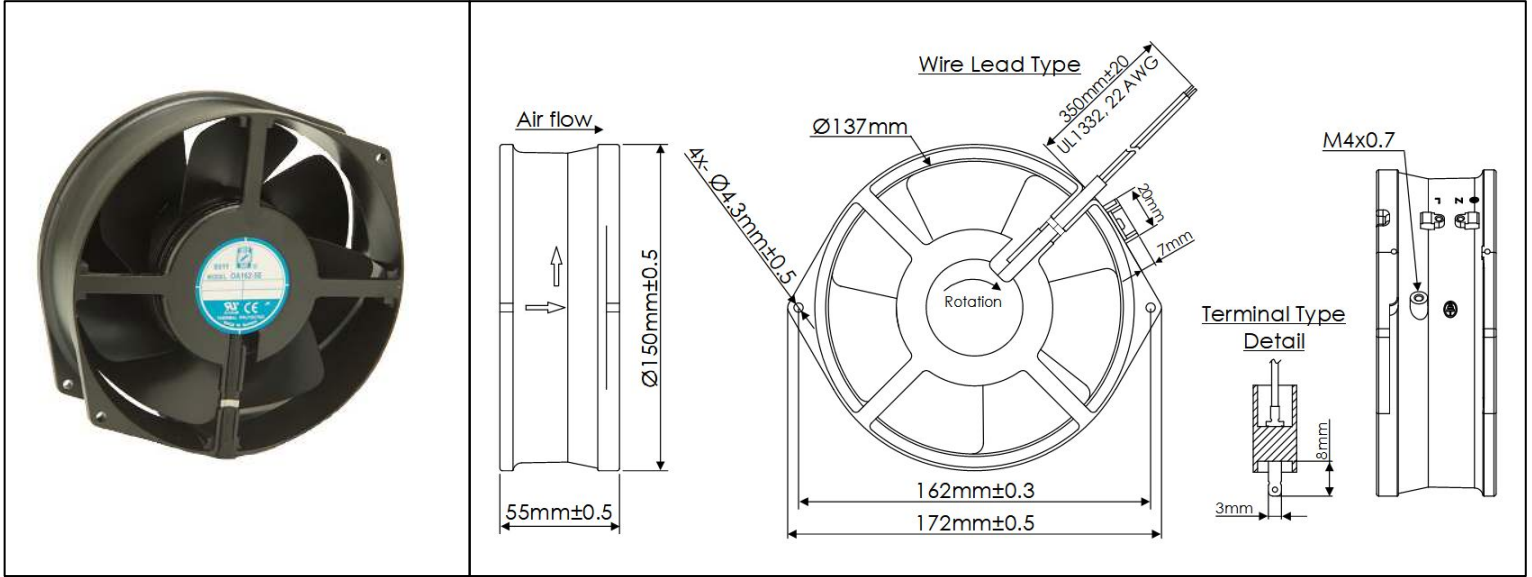


OA162 Series



AC Fans - 115, 230V
172mm x 150mm x 55mm
(6.8" x 5.9" x 2.2")



Frame & Impeller	Die Cast Aluminum	Operating Temperature -40°C ~ +70°C Storage Temperature -40°C ~ +80°C Life Expectancy 40,000 Hours (L10 at 40°C) Weight: 2.43 lbs.
Connection	Lead Wires, 22 AWG, or Terminals	
Motor	Shaded Pole, Thermally Protected	
Bearing System	Ball Bearings	
Dielectric Strength	1500VAC/min, <1mA	
Insulation Resistance	≥100MΩ @ 500VAC/min	

Static Pressure ("H₂O")

Airflow (CFM)

----- 50 Hz — 60 Hz

Part Number	Rated Voltage (Volts AC)	Voltage Range (Volts AC)	Frequency (Hertz)	Locked Current (Amps)	Rated Current (Amps)	Rated Power (Watts)	Rated Speed (RPM)	Max Airflow (CFM)	Min Noise Level (dBA)	Max Static Pressure ("H ₂ O)
OA162-5E-115*B	115	100 ~ 125	50 / 60	0.88 / 0.75	0.52 / 0.47	42 / 42	2800 / 3250	195 / 230	49 / 53	0.55 / 0.63
OA162-5E-230*B	230	160 ~ 260	50 / 60	0.43 / 0.37	0.25 / 0.23	42 / 42	2800 / 3250	195 / 230	49 / 53	0.55 / 0.63

*Indicate "T" for Terminal type power connection, or "W" for Wire Lead type power connection