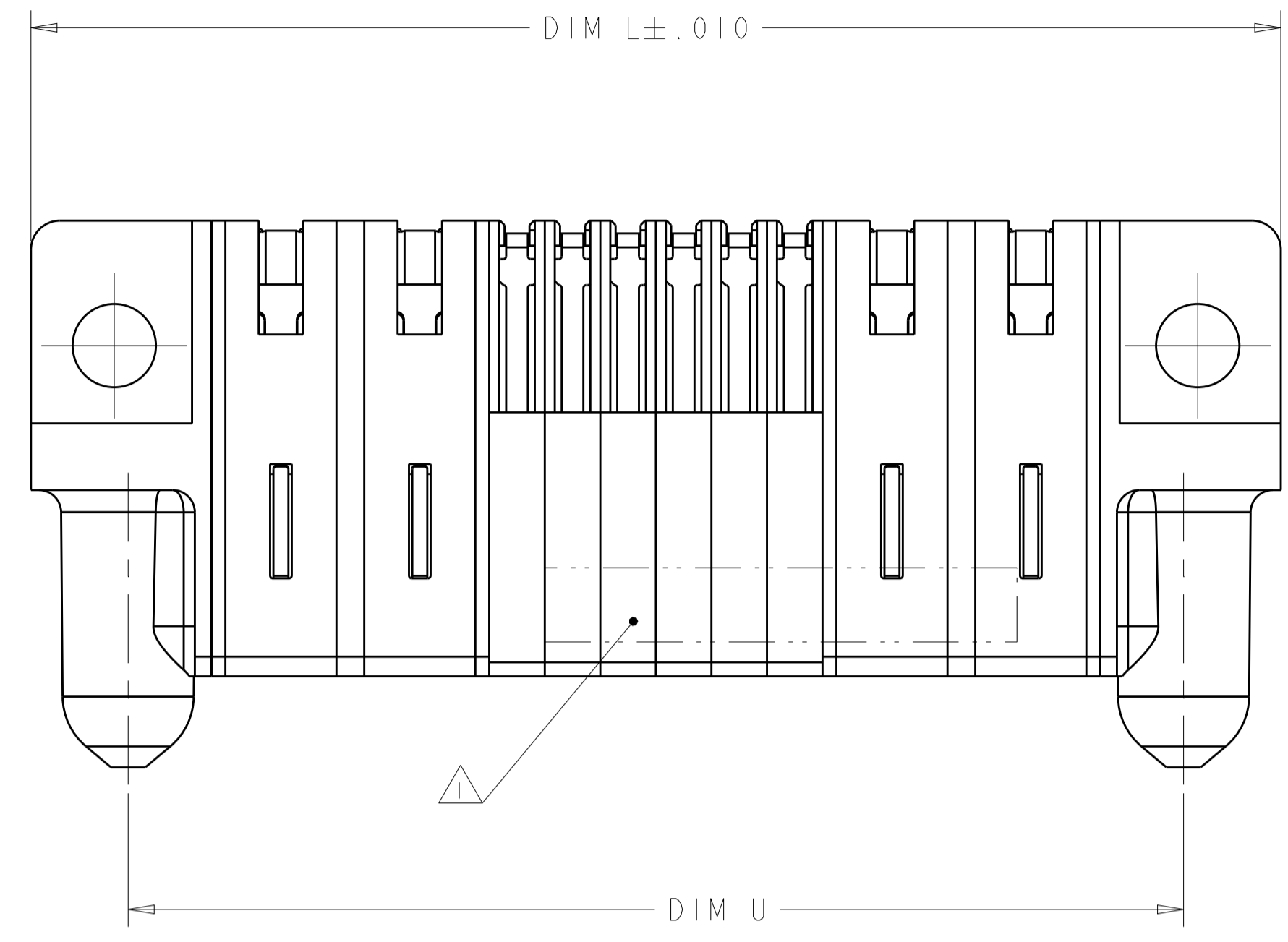
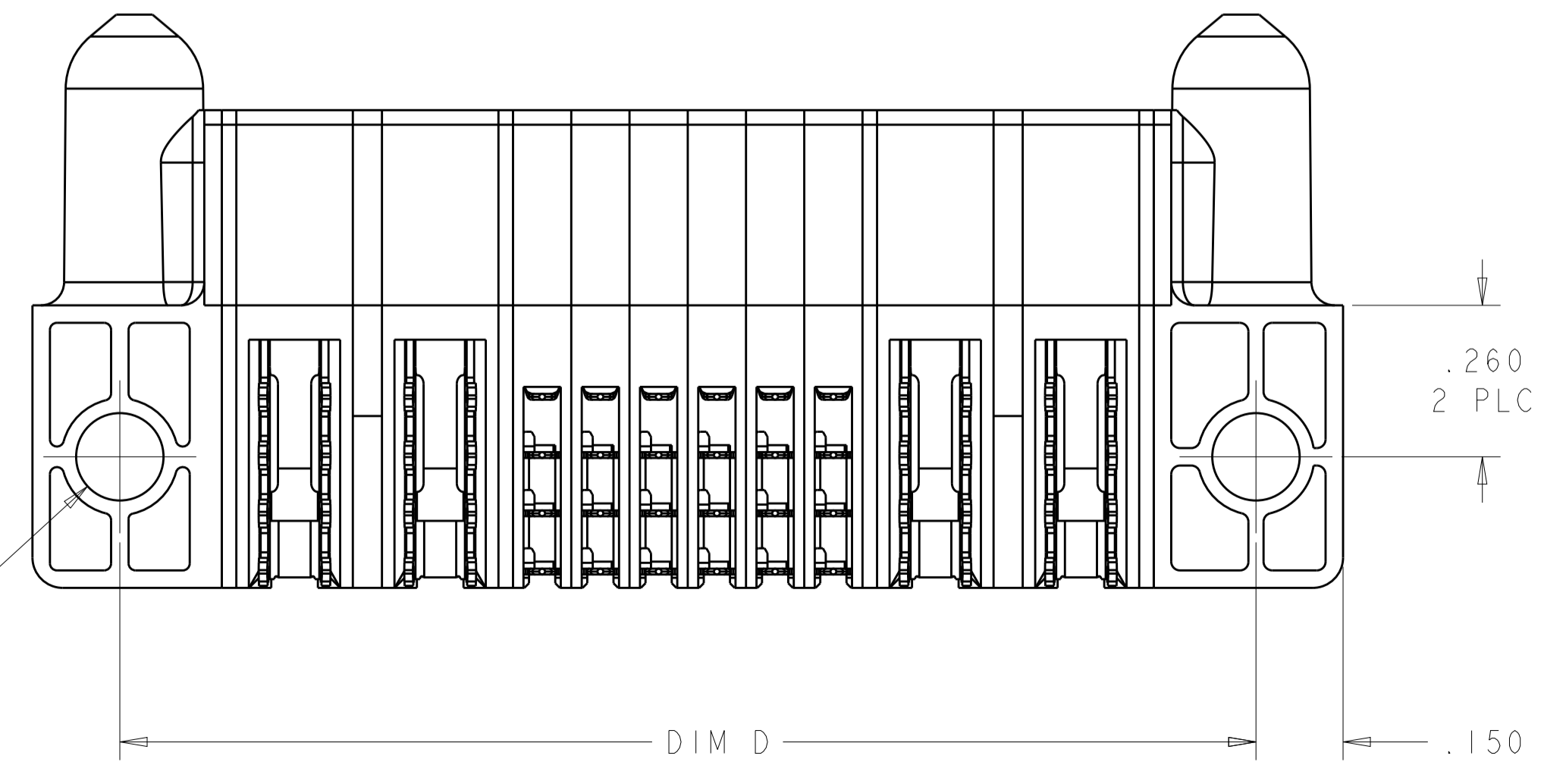
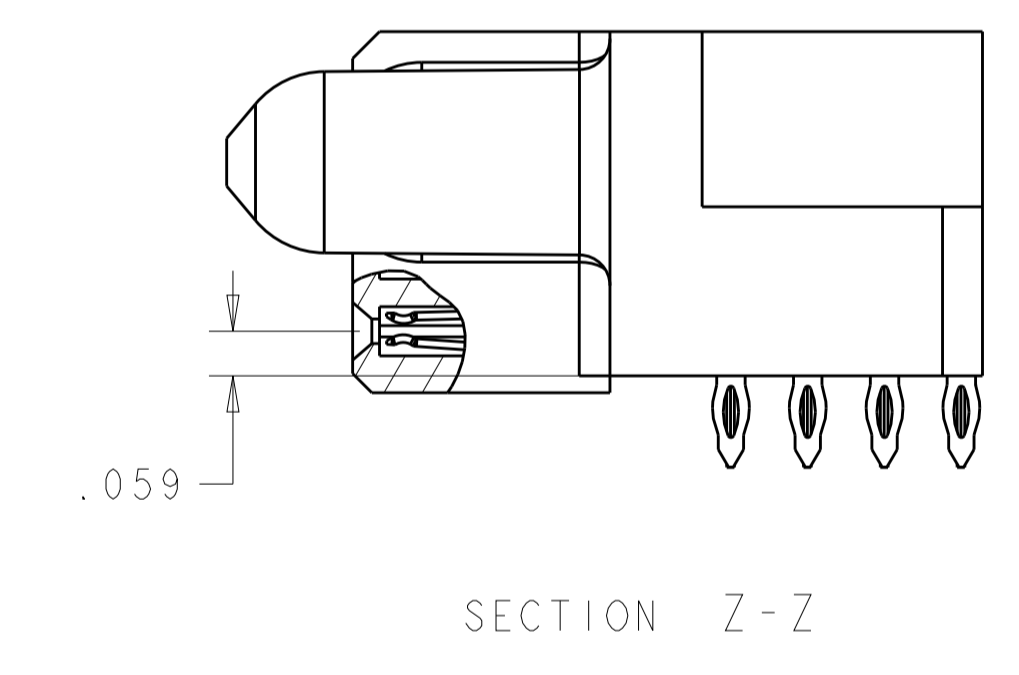
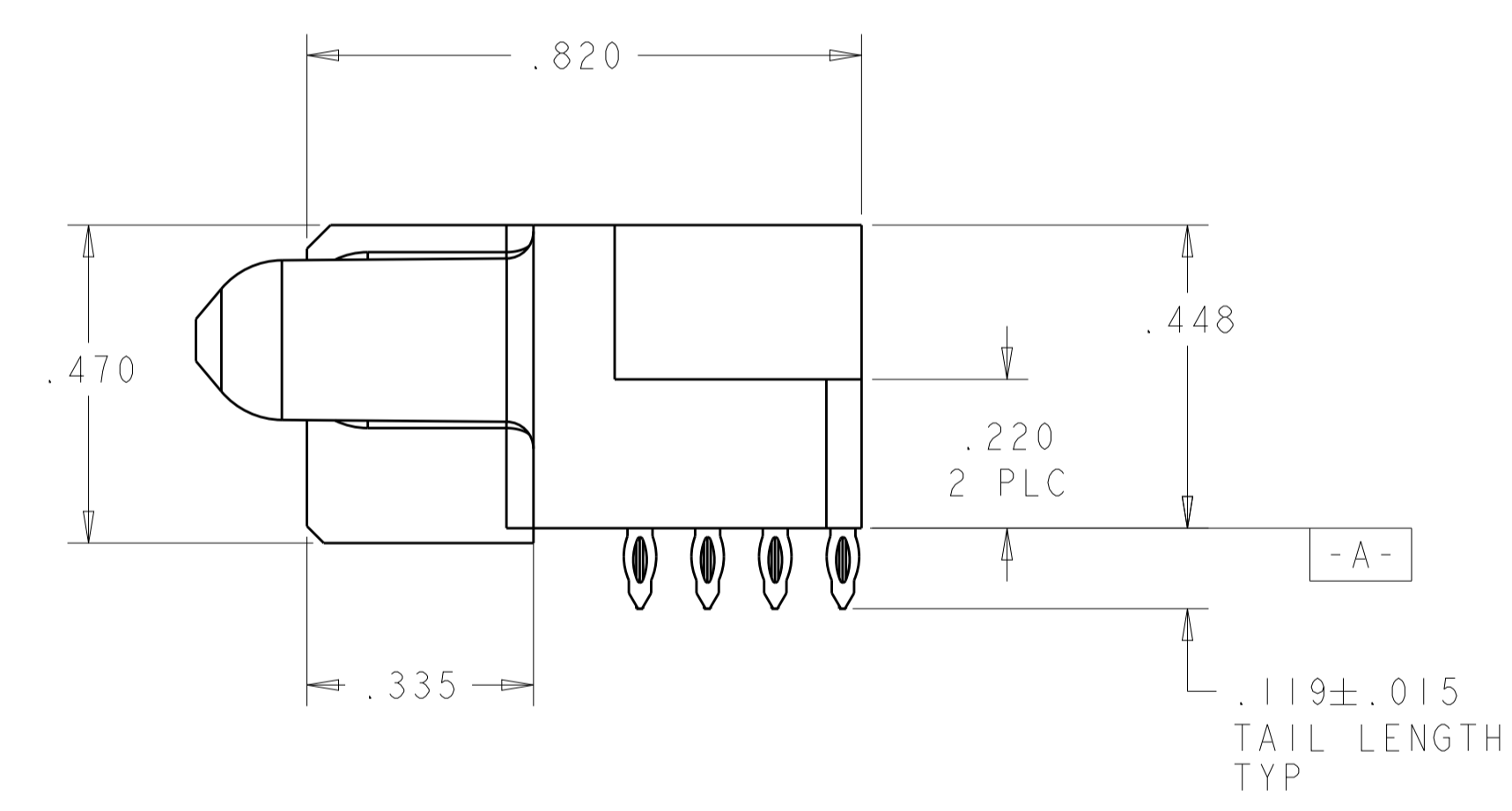
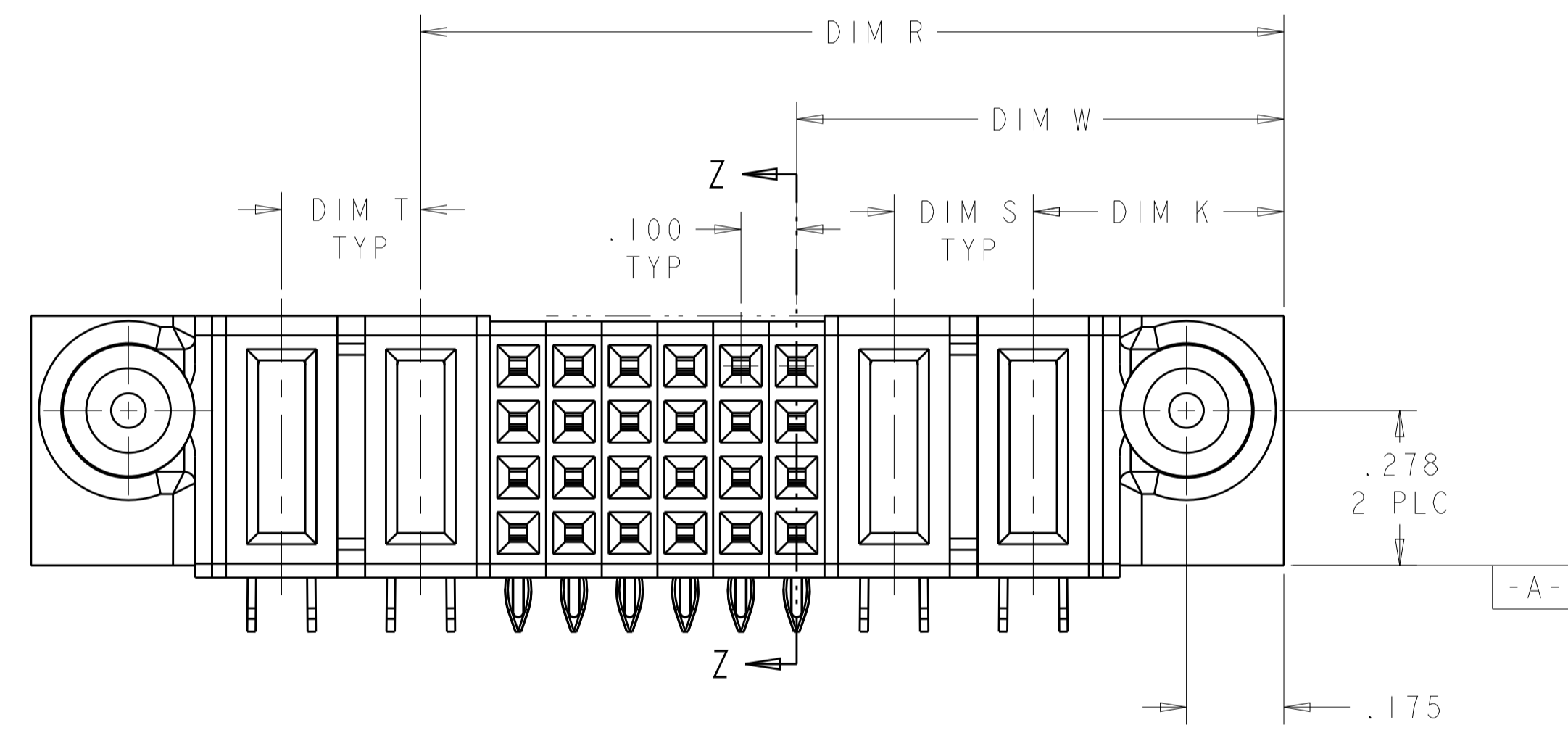


LOC	DIST	REVISIONS			
P	LTN	DESCRIPTION	DATE	DWN	APVD
ES	00	A2	REV PER ECR-13-004638	20MAR2013	ML SZ



- ① "AMP", PART NUMBER, AND DATE CODE TO BE MARKED IN AREA SHOWN
- ② MATERIAL: HOUSING - GLASS FILLED HIGH TEMP THERMO PLASTIC, UV94 V-0
SIGNAL CONTACT - COPPER ALLOY
POWER CONTACT - HIGH CONDUCTIVITY COPPER ALLOY
- ③ CONTACT PLATING: NOBLE METAL PLATING ON CONTACT FUNCTIONAL AREA OF POWER AND SIGNAL CONTACTS
- ④ MECHANICAL CONNECTOR KEEP OUT ZONE
- ⑤ DATUM AND BASIC DIMENSIONS ESTABLISHED BY CUSTOMER
- ⑥ PCB - ALL HOLE DIAMETERS ARE FINISHED HOLE SIZES
- ⑦ PCB - $.0453 \pm .0010$ DRILLED HOLE PLATED WITH $.0003$ MIN Sn OVER $.001$ - $.003$ PLATING TO ACHIEVE A $.040$ HOLE
- ⑧ POWER CONTACT AREA LUBRICATED WITH LUBRICANT
- ⑨ NOT RELEASED FOR PRODUCTION



⑨	1.900	.250	.250	1.550	.875	1.950	2.250	.450	2P + 24S + 2P	1892550-2
⑨	1.900	.250	.250	1.550	.875	1.950	2.250	.450	2P + 24S + 2P	1892550-1
	U	T	S	R	W	D	L	K	DESCRIPTION	PART NUMBER

THIS DRAWING IS A CONTROLLED DOCUMENT.

DIMENSIONS: INCHES

TOLERANCES UNLESS OTHERWISE SPECIFIED:

0 PLC	±.005
1 PLC	±.01
2 PLC	±.015
3 PLC	±.02
4 PLC	±.025
ANGLES	±.0020

MATERIAL: FINISH:

Customer Drawing

APVD: S. YAO

PRODUCT SPEC: 108-1973

APPLICATION SPEC: 114-13038

WEIGHT: -

DATE: 26MAY2007

CHECKED: S. ZHAO

NAME: S. YAO

RIGHT ANGLE RECEPTACLE ASSEMBLY W/ GUIDES, PRESS FIT CONTACT MULTI-BEAM XL

SIZE: A1

CAGE CODE: 100779

DRAWING NO: 1892550

RESTRICTED TO: -

SCALE: 4:1

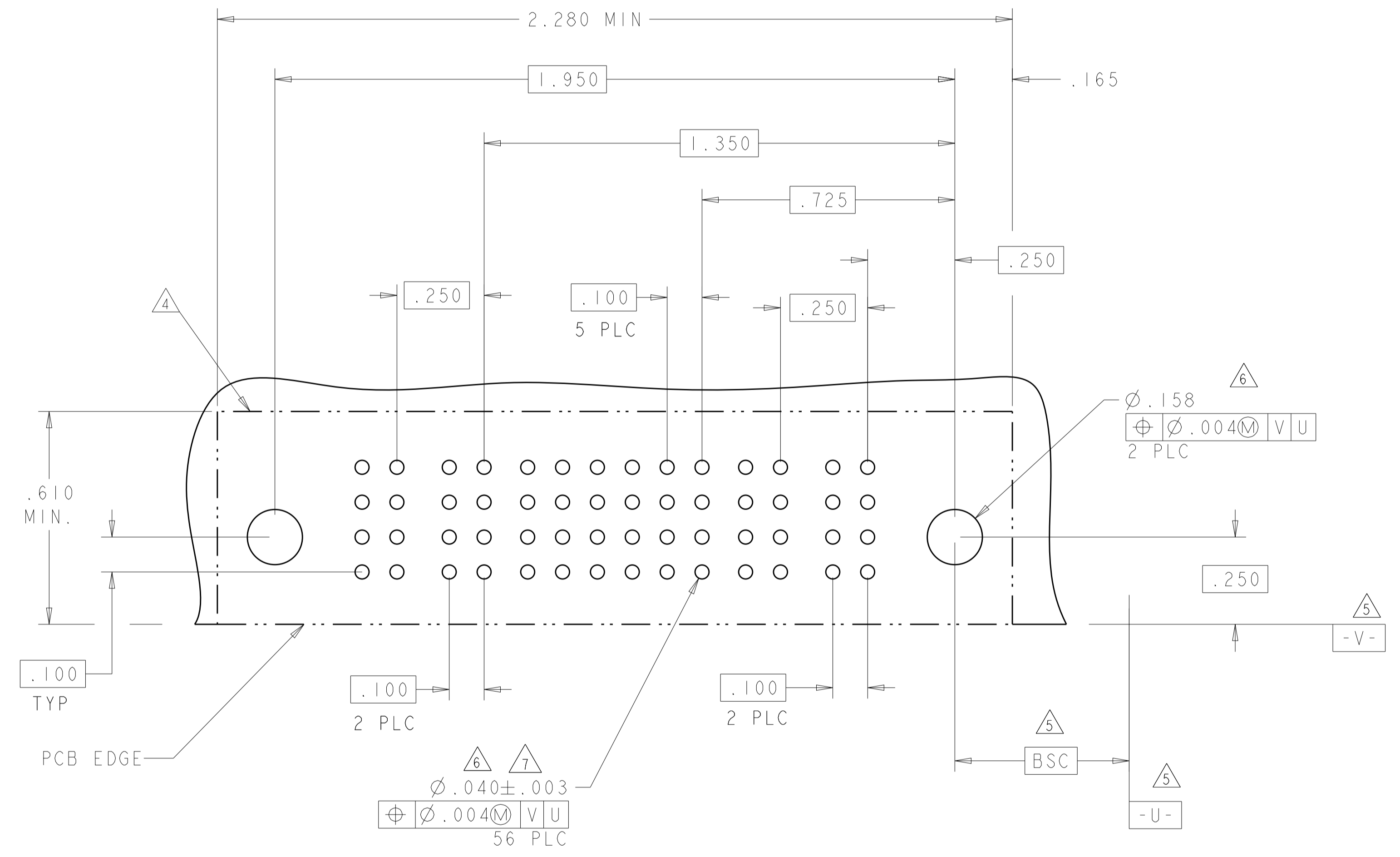
SHEET: 1 OF 2

REV: A2

LOC	DIST	REVISIONS			
P	LTN	DESCRIPTION	DATE	DWN	APVD
ES	00	SEE SHEET 1			

PART NUMBER	ROWS	POWER		SIGNAL						POWER	
		P4	P3	6	5	4	3	2	1	P2	P1
1892550-1	D C B A	RS	RS	D	D	D	D	D	D	RS	RS
				C	C	C	C	C	C		
				B	B	B	B	B	B		
				A	A	A	A	A	A		
2P + 24S + 2P											

PART NUMBER	ROWS	POWER		SIGNAL						POWER	
		P4	P3	6	5	4	3	2	1	P2	P1
1892550-2	D C B A	RP	RP	D	D	D	D	D	D	RP	RP
				C	C	C	C	C	C		
				B	B	B	B	B	B		
				A	A	A	A	A	A		
2P + 24S + 2P											



10. THE PCB LAYOUT IS FOR 1892550-1 AND 1892550-2.

D	SIGNAL CONTACT, R/A HDR, STD, ROW D
C	SIGNAL CONTACT, R/A HDR, STD, ROW C
B	SIGNAL CONTACT, R/A HDR, STD, ROW B
A	SIGNAL CONTACT, R/A HDR, STD, ROW A
RP	POWER CONTACT, R/A HDR, MFBL
RS	POWER CONTACT, R/A HDR, STD
CODE	DESCRIPTION

DIMENSIONS:		TOLERANCES UNLESS OTHERWISE SPECIFIED:	
INCHES	0 PLC ±.01	1 PLC ±.01	2 PLC ±.01
	3 PLC ±.005	4 PLC ±.002	ANGLES ±.020
	FINISH		

THIS DRAWING IS A CONTROLLED DOCUMENT.		DWN: C.ZHOU 26MAY2007	CHK: S.ZHAO 26MAY2007
APVD: S.YAO		NAME: S.YAO	
PRODUCT SPEC: 108-1973		APPLICATION SPEC: 114-13038	
MATERIAL: -		WEIGHT: -	RESTRICTED TO: -
Customer Drawing		SCALE: 4:1	SHEET 2 OF 2 REV: A2