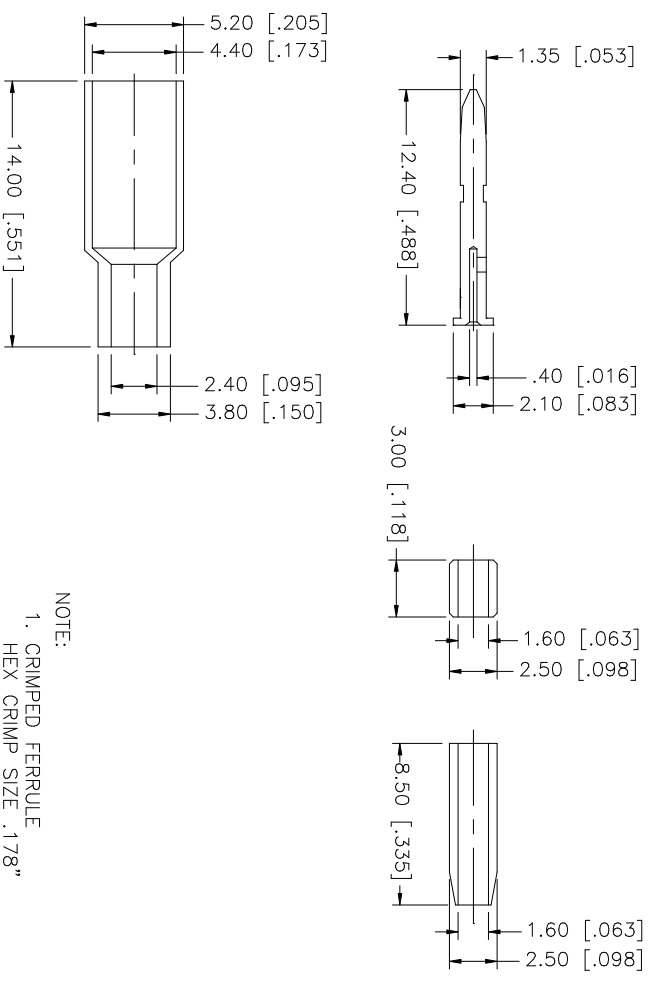
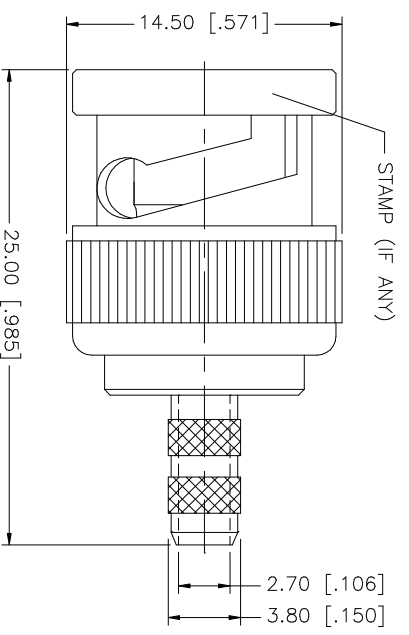
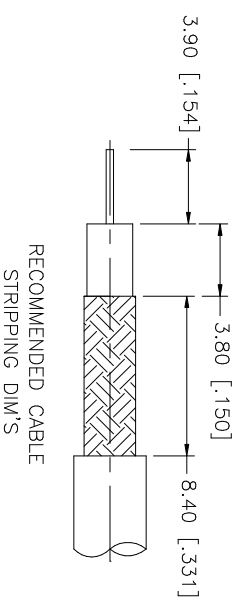


REV.	DATE	DESCRIPTION
NC	03/21/04	INITIAL RELEASE



NOTE:
 1. CRIMPED FERRULE
 HEX CRIMP SIZE .178"
 2. CONTACT PIN TO SOLDER

QTY	FINISH	MATERIAL	DESCRIPTION
1	NICKEL	BRASS	FERRULE
1	NATURAL	TEFLON	SPACER
1	NICKEL	BRASS	SLEEVE
1	NATURAL	TEFLON	INSULATOR
1	GOLD	BRASS	CONTACT PIN
1	NICKEL	BRASS	BODY

APPROVALS	DATE
G.R.S.	03/21/04

ISSUED	CHECKED
1 OF 1	

APPROVALS	DATE
G.R.S.	03/21/04

DO NOT SCALE DRAWING
UNLESS OTHERWISE SPECIFIED DIMENSIONS ARE IN MILLIMETERS. DIMENSIONS IN [] ARE IN INCHES AND FOR CUSTOMER REFERENCE ONLY. TOLERANCES FOR MILLIMETERS ARE: 0.5 - 8mm ± 0.20mm 8 - 30mm ± 0.40mm 30 - 120mm ± 0.50mm UNLESS OTHERWISE SPECIFIED TOLERANCES FOR INCHES ARE: .020 - .315 = ± 0.007" .315 - 1.180 = ± 0.015" 1.180 - 4.724 = ± 0.020"

CAD FILE	DWG. NO.	REV.	NC	SIZE	SCALE
C:/112/112722.DWG	112722.DWG			A	NA

Amphenol Connex

BNC CRIMP PLUG
(FOR 30AWG MOGOMI CABLE)

PART NO. 112722