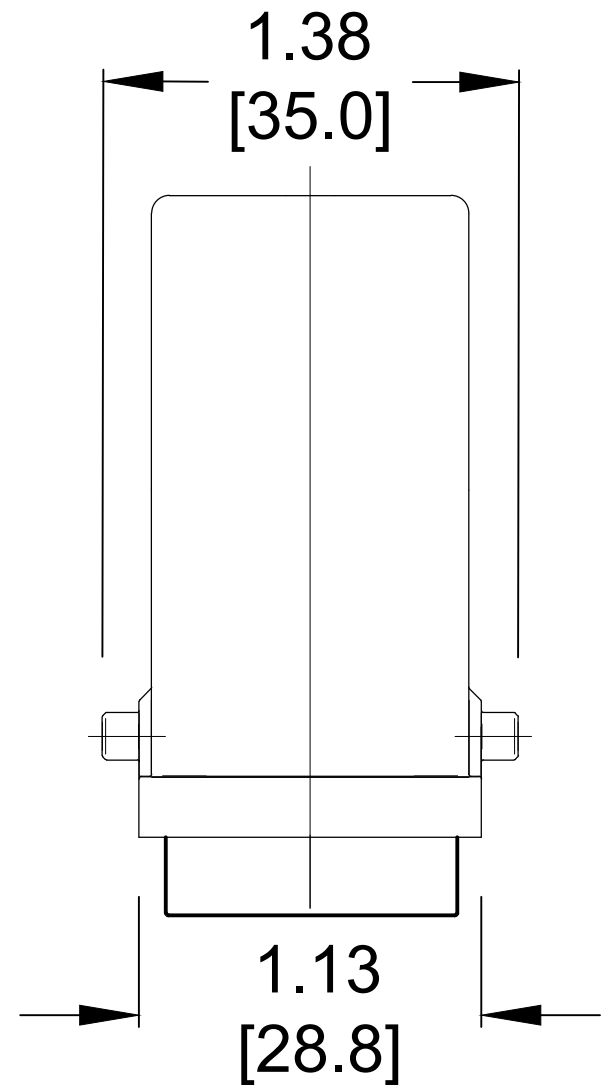


PART NUMBER KEY

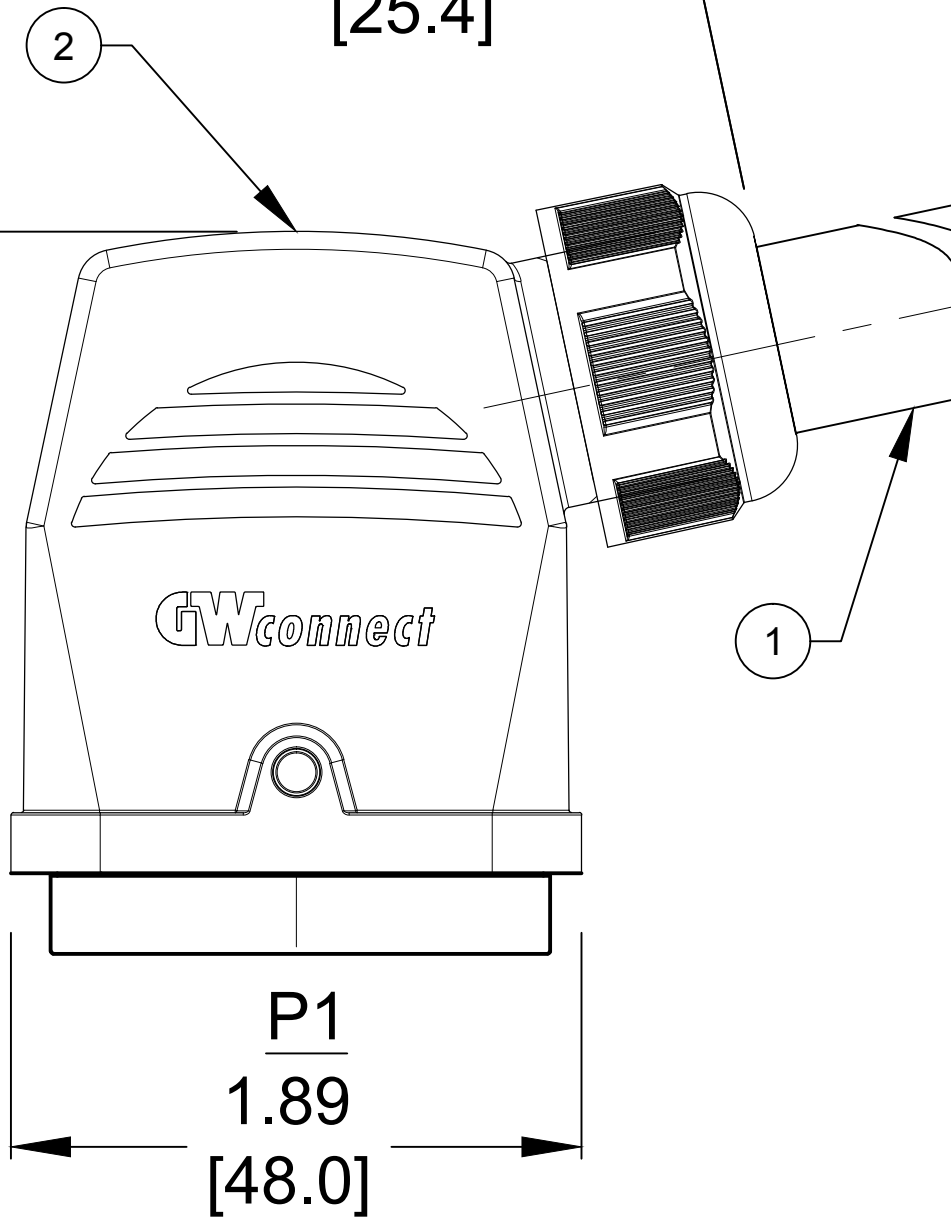
93599-0013-M020

LENGTH

M005 = 0.5 METER
M010 = 1.0 METER
M100 = 10.0 METER



2.13
[54.0]

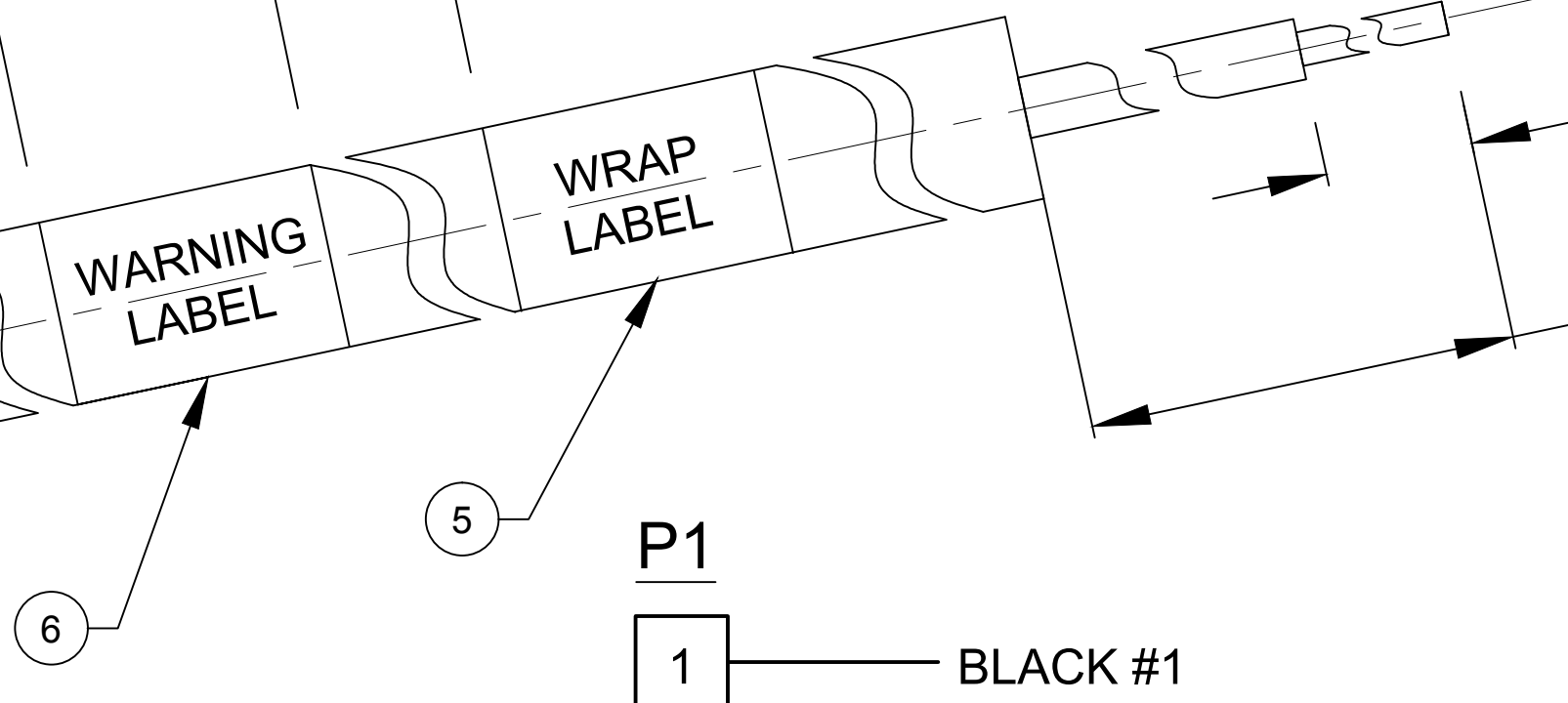


LENGTH

0.50
[12.7]

0.18
[4.6]

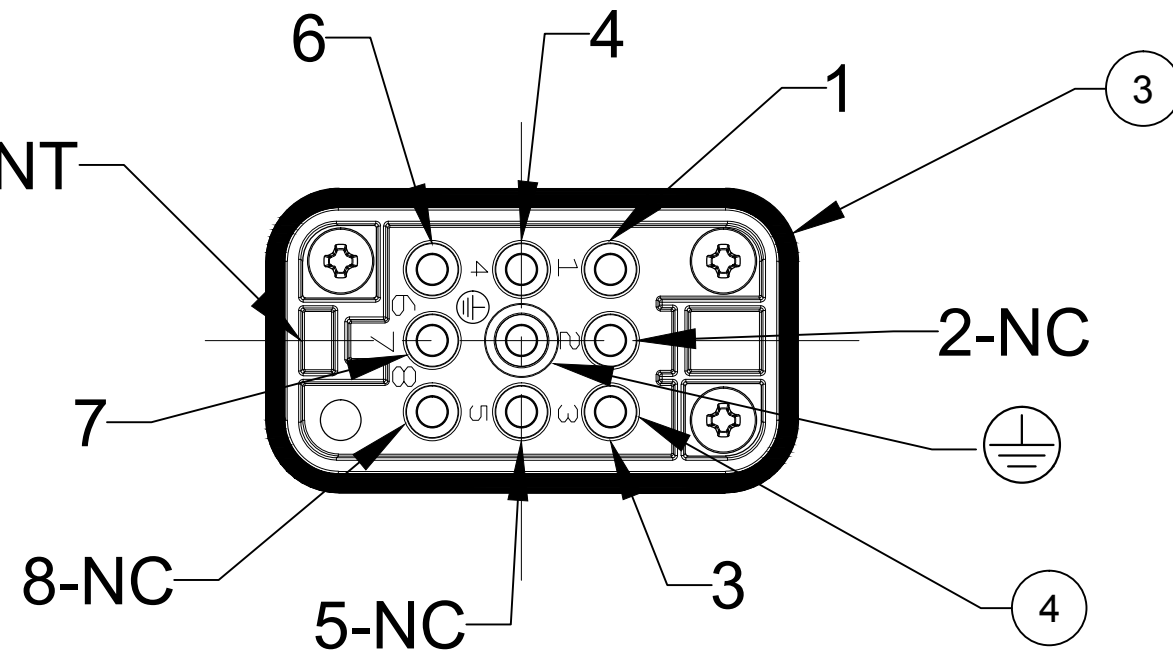
2.25
[57.2]



P1

1	BLACK #1
2	
3	BLACK #3
4	BLACK #4
5	
6	BLACK #5
7	BLACK #2
8	
	GREEN/YELLOW

ALIGNMENT KEY



MALE FACE VIEW

ELECTRICAL RATING
VOLTAGE: 600 VAC
CURRENT: 16 A

NOTE:
ALL DIMENSIONS REFERENCE
UNLESS OTHERWISE NOTED

ITEM	DESCRIPTION	MATERIAL	FINISH
6	WARNING LABEL	VINYL	ORANGE/BLACK
5	WRAP LABEL	VINYL	BLACK/YELLOW
4	CONTACT PIN	COPPER ALLOY	SILVER PLATED
3	INSERT, MALE	POLYCARBONATE	GRAY
2	HOOD W/ CABLE GLAND	POLYAMIDE	BLACK
1	CABLE #14/6	TPE JACKET	GRAY

CORRECT CABLE	EC NO.: ICG2017-0841	2017/03/06
	DRWN: KCOX01	2017/03/06
	CHKD: MZELINS	2017/03/06
	APPR: BWOODMAN	2016/10/31
A2	REV	DESCRIPTION

QUALITY SYMBOL	▽=0
	∇=0

GENERAL TOLERANCES (UNLESS SPECIFIED)	
	mm INCH
4 PLACES	±--- ±---
3 PLACES	±--- ±---
2 PLACES	±--- ±---
1 PLACE	±--- ±---
ANGULAR ±---°	
DRAFT WHERE APPLICABLE MUST REMAIN WITHIN DIMENSIONS	

DIMENSION STYLE INCH/MM	
DRAWN BY	DATE
KCOX01	2016/07/21
CHECKED BY	DATE
RSTONE	2016/07/21
APPROVED BY	DATE
BWOODMAN	2016/10/31
MATERIAL NO.	SEE TABLE
SIZE	C

SCALE NTS	DESIGN UNITS METRIC	THIRD ANGLE PROJECTION
TITLE		
HDC MALE S-QD 8 6 CONDUCTOR 12:00 KEY #14 AWG TPE CABLE		
MOLEX INCORPORATED		
MATERIAL NO.	DOCUMENT NO.	SHEET NO.
SEE TABLE	SD-93599-003	1 OF 1
THIS DRAWING CONTAINS INFORMATION THAT IS PROPRIETARY TO MOLEX INCORPORATED AND SHOULD NOT BE USED WITHOUT WRITTEN PERMISSION		