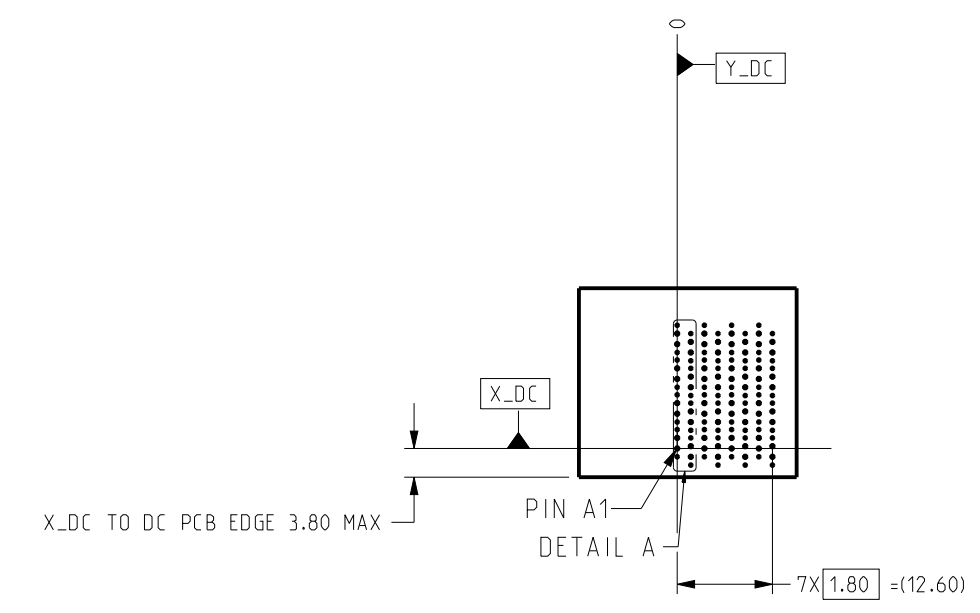
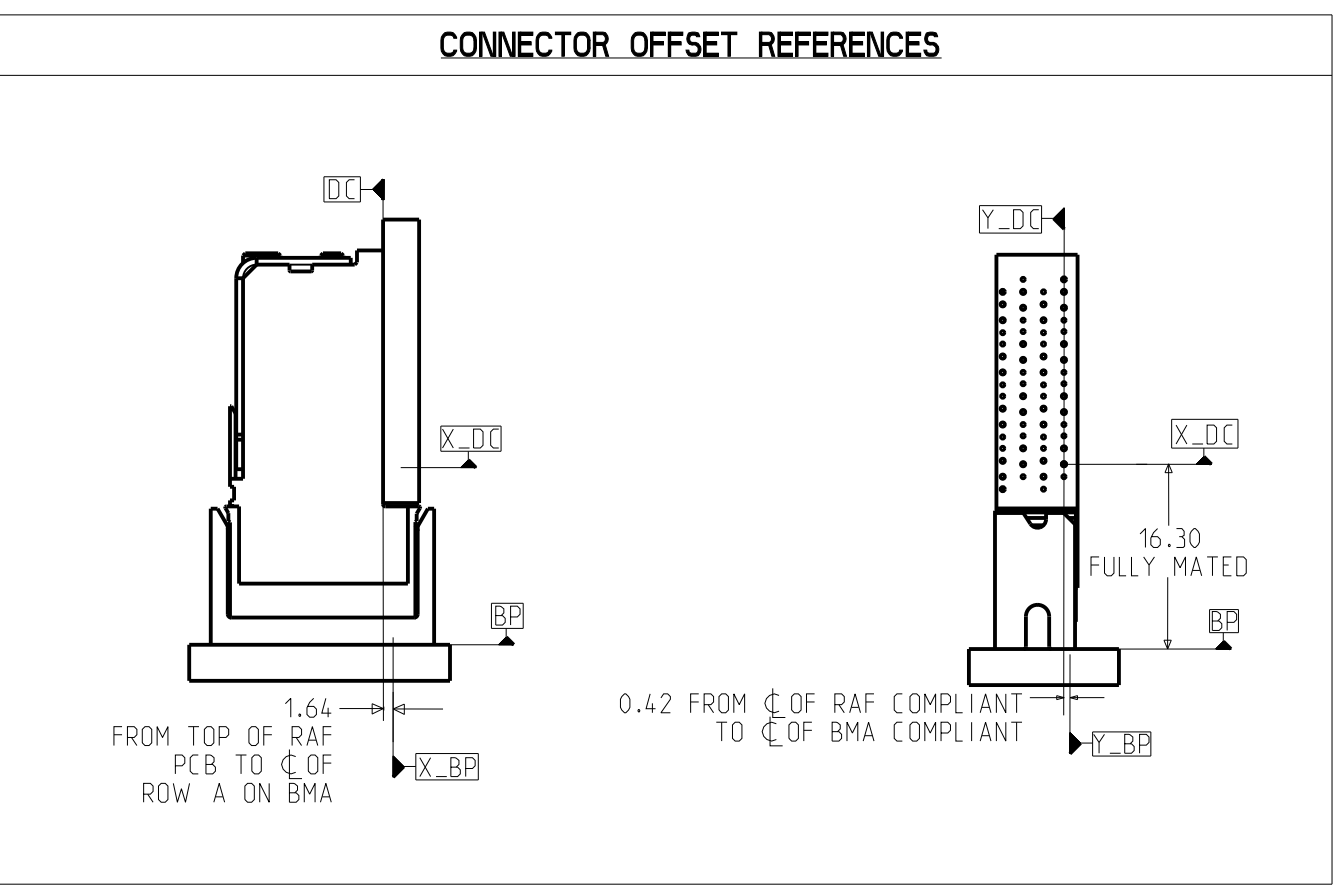
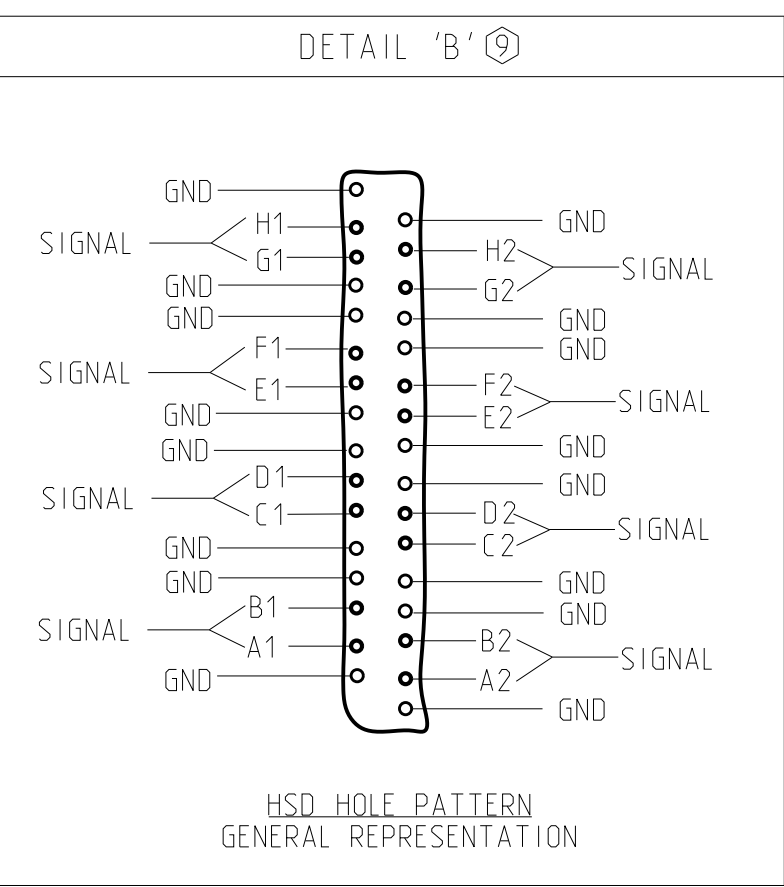
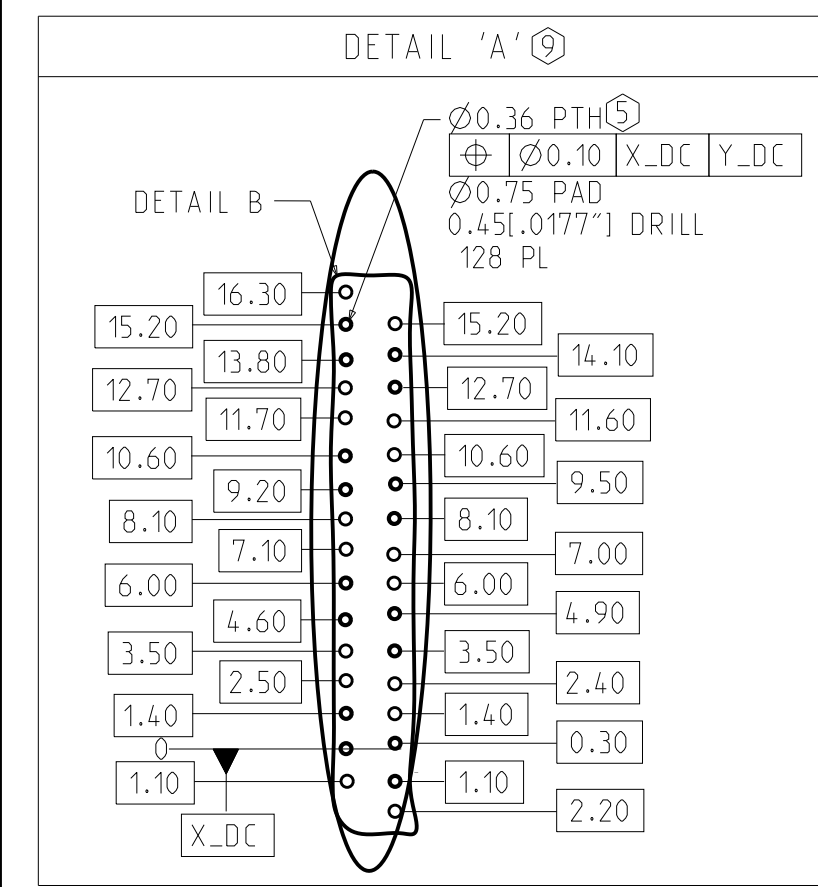
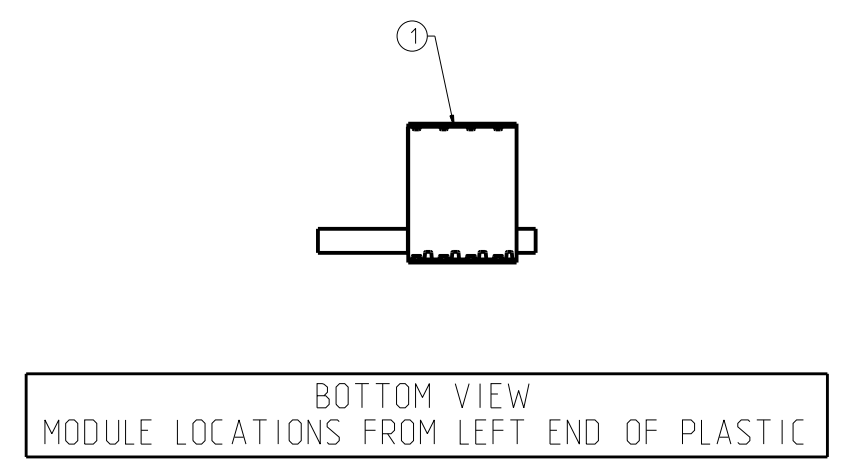
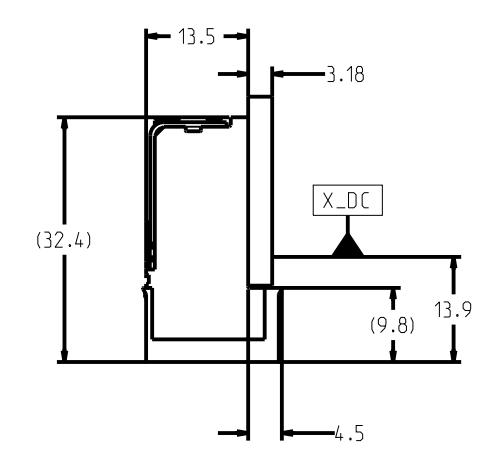
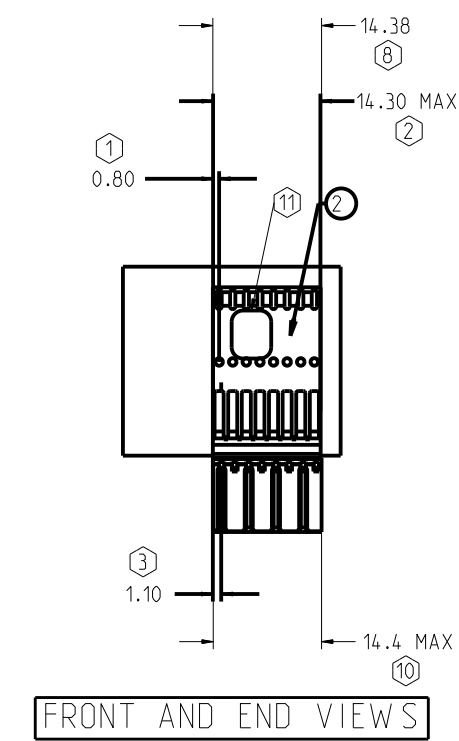


REV	ECN	DESCRIPTION	BY	DATE	APPROVED
A	JLIU-22111611	RELEASE TO PRODUCTION	J.LIU	11/23/2022	J.LIU



FRONT VIEW - DC HOLE PATTERN ONLY . CONNECTOR SIDE REFERENCED FROM LEFT MOST SIGNAL COLUMN . ALL DIMENSIONS BASIC



NOTES:

- ① DISTANCE FROM FIRST STIFFENER PILOT HOLE TO LEFT END OF STIFFENER.
- ② TOTAL LENGTH OF STIFFENER.
- ③ DISTANCE FROM CENTERLINE OF 1ST COLUMN OF SIGNAL PLATED THRU HOLES TO LEFT EDGE OF CONNECTOR.
- ④ MOUNTING SCREWS AND JOINER MODULES (IF PRESENT) TO BE BAGGED WITH EACH CONNECTOR ASSEMBLY.
- ⑤ STATED PAD SIZE MAY REQUIRE FILLETING. SEE TB-2237 FOR ROUTING, HOLE WALL PLATING THICKNESS AND FINISHED HOLE SIZE.
- ⑥ NA.
- ⑦ REFER TO TB-2307 FOR XCede HD PLUS PRODUCT SPECIFICATIONS.
- ⑧ OVERALL CONNECTOR LENGTH.
- ⑨ DETAIL VIEWS ARE NOT TO SCALE. DO NOT SCALE DRAWING.
- ⑩ FRONT HOUSING WIDTH. CONNECTORS CAN BE USED IN STACKABLE APPLICATION.
- ⑪ CONNECTOR IS LASER MARKED WITH MANUFACTURING INFORMATION. REFER TO DRAWING C-527-4133-000 FOR MARKING REQUIREMENTS AND DETAILS.

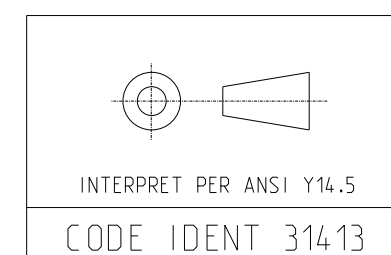
ITEM	PART NUMBER	DESCRIPTION	QTY
1	915-430B-BOH	XCede HD PLUS 4PAIR HSD MOD w/ XG, 8POS, 850HMS, .0177" DRILL, NANO NI, STD GOLD	1
2	617-1421-014	XCede HD PLUS 4PAIR STIFFENER	1

NOTE: SEE FRONT VIEW FOR STIFFENER LENGTH.

CUSTOMER: DISTRIBUTOR / XHD PLUS WITH EXTRA GROUND 4PAIR X 8. HSD 850HMS

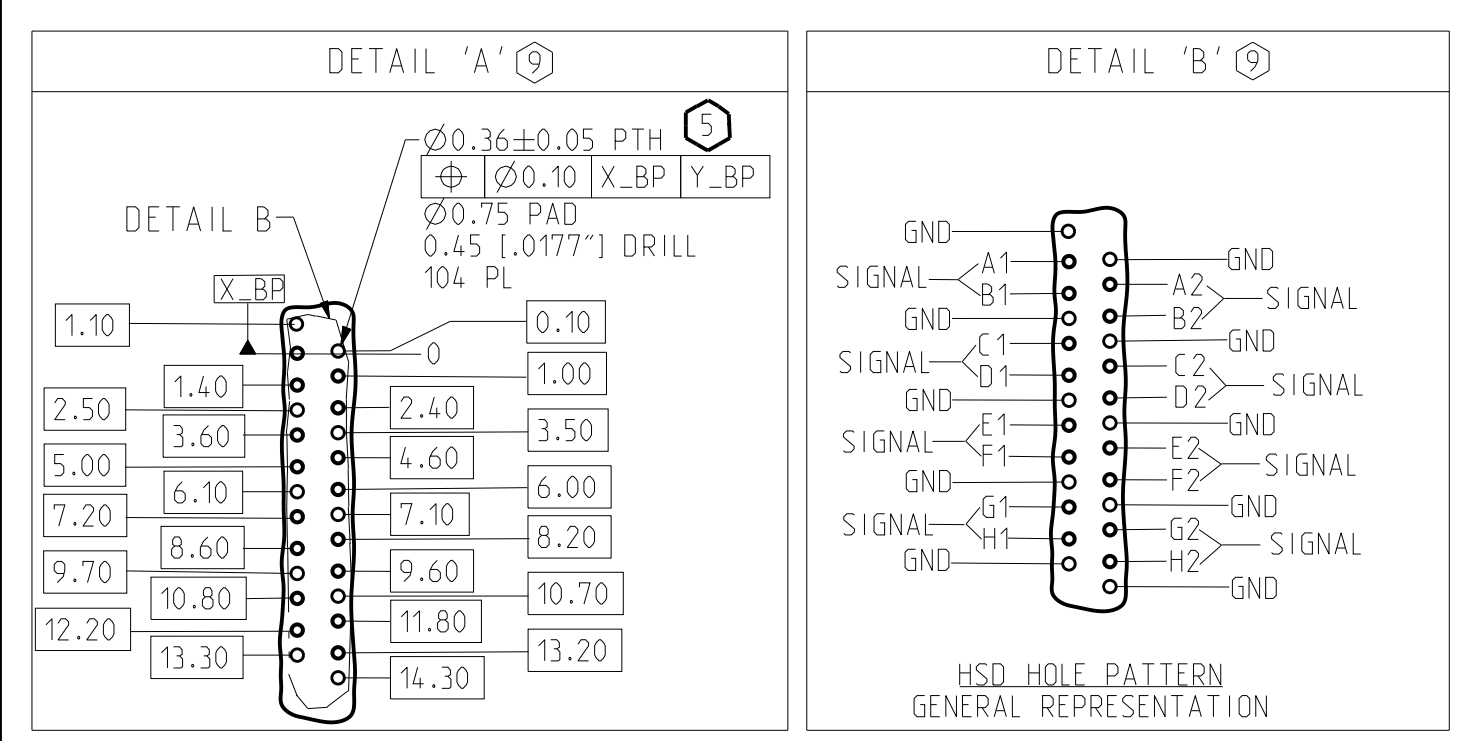
TOLERANCES	DESIGN	DATE	DESIGNER
0.0	±0.25	10/13/2022	J.LIU
0.00	±0.13	10/13/2022	AUTO GENERATED
0.000	± -	10/13/2022	CHK J.LIU
ANGLES	± 3°	11/23/2022	APVD J.LIU

Amphenol TCS A Division of Amphenol Corporation 200 Innovative Way, Nashua, NH 03062 803.879.3000	
TITLE	XCede HD PLUS DAUGHTERCARD ASSEMBLY 4 PAIR CONNECTOR, LEADFREE
PART NO.	JX419-50142
DRAWING NO.	C-JX419-50142
CRED FILES	JX419-50142.ASM JX419-50142.DRW
SIZE	D
SCALE	1/1
SHEET	1 OF 2

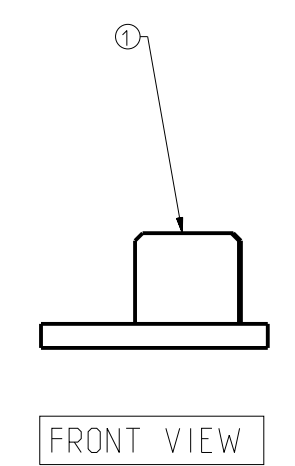
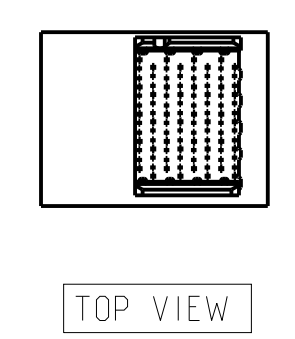
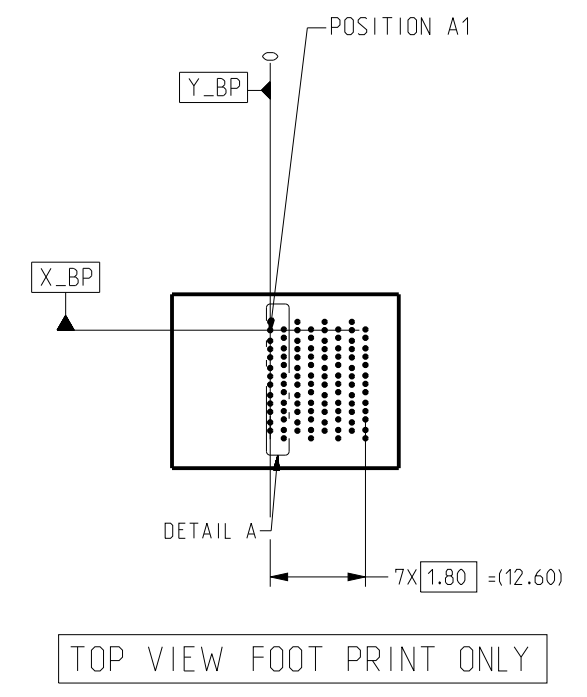


CUSTOMER USE DRAWING

REV	ECN	DESCRIPTION	BY	DATE	APPROVED
		SEE SHEET 1			



FOR REFERENCE ONLY; FOR SPECIFIC DETAILS, SEE C-USE DRAWINGS FOR BACKPLANE MODULES IN TABLE 2. BACKPLANE COMPONENTS MUST BE PURCHASED SEPARATELY AND MAY DIFFER FROM EXAMPLE SHOWN



ITEM	PART NUMBER	DESCRIPTION	QTY
1	926-401E-40H	XCede HD PLUS 4PAIR 8POS. OPEN. 3MM WIPE, .0177" DRILL, NANO NI, STD GOLD	1

CUSTOMER: DISTRIBUTOR / XHD PLUS WITH EXTRA GROUND 4PAIR X 8. HSD 850HMS

TOLERANCES	DESIGN	DATE	DESIGNER	Amphenol TCS A Division of Amphenol Corporation 200 Innovative Way, Nashua, NH 03062 803.879.3000	TITLE
0.0	±0.25	10/13/2022	J.LIU		XCede HD PLUS BACKPLANE ASSEMBLY
0.00	±0.13	10/13/2022	AUTO GENERATED		4 PAIR CONNECTOR, LEADFREE
0.000	± -	10/13/2022	J.LIU		PART NO. JX419-50142
ANGLES	± 3°	11/23/2022	J.LIU		DRAWING NO. C-JX419-50142

UNLESS OTHERWISE SPECIFIED DIMENSIONS ARE IN MM AND DECIMAL MARKER IS A PERIOD.

CUSTOMER USE DRAWING

INTERPRET PER ANSI Y14.5
CODE IDENT 31413

SIZE D SCALE 1/1 SHEET 2 OF 2