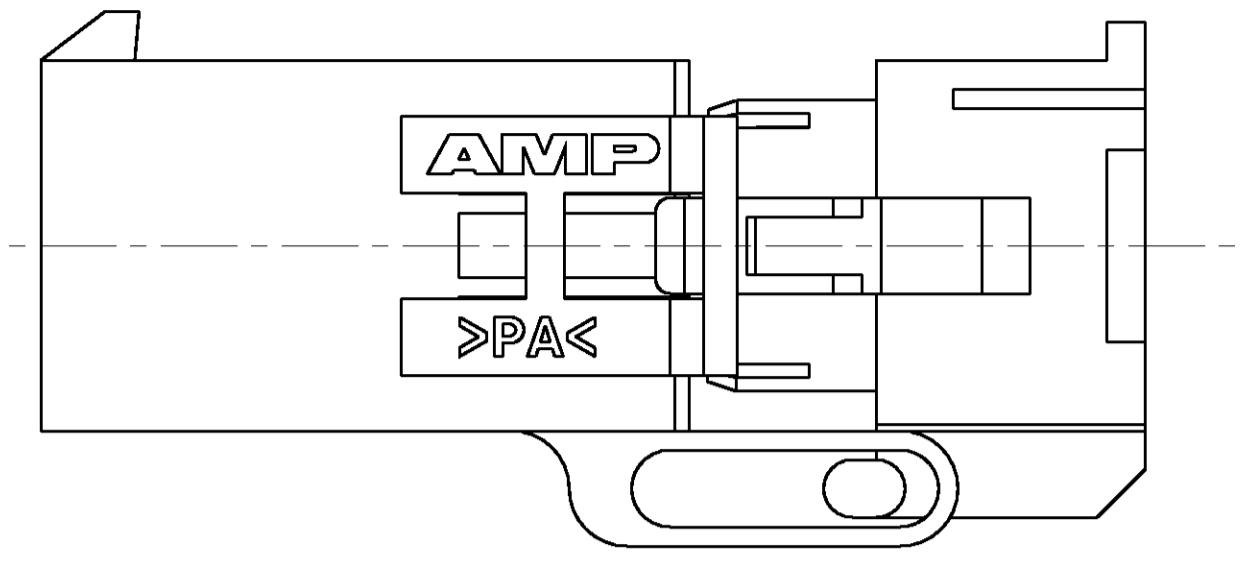
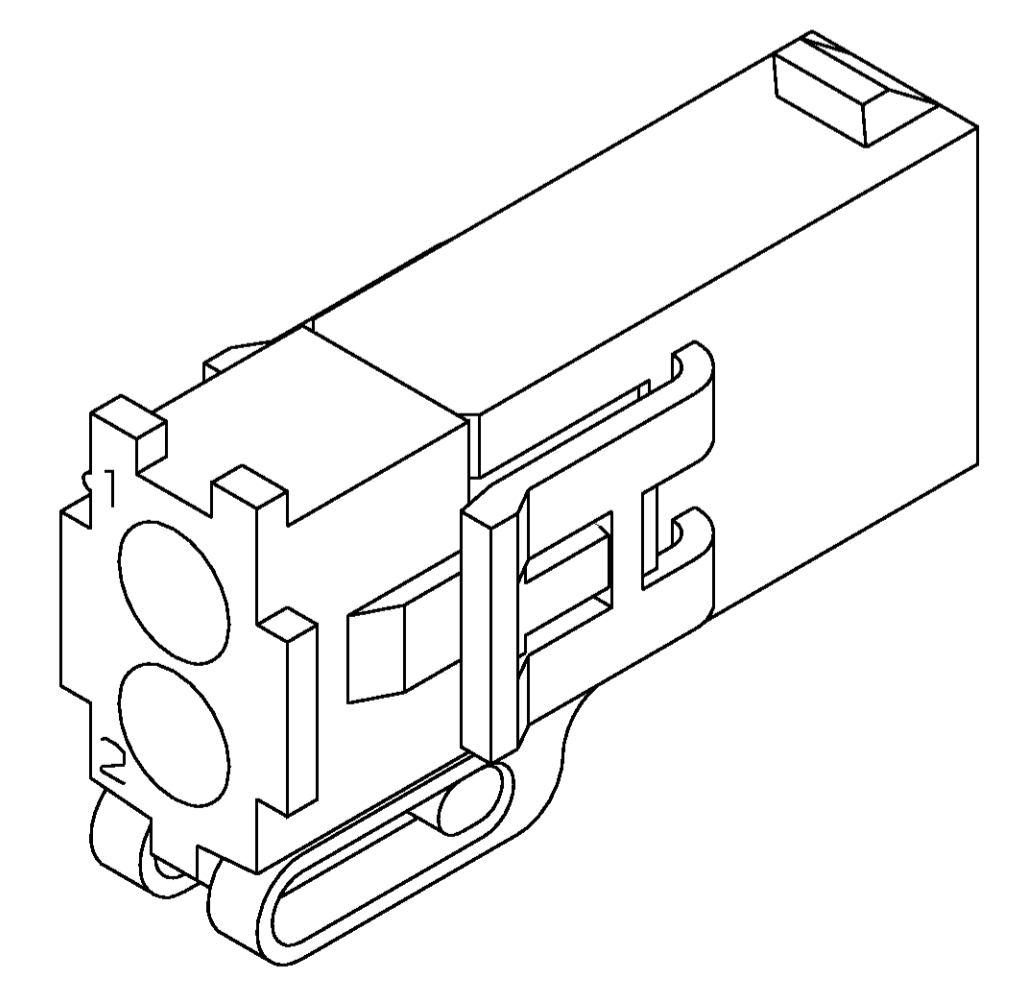
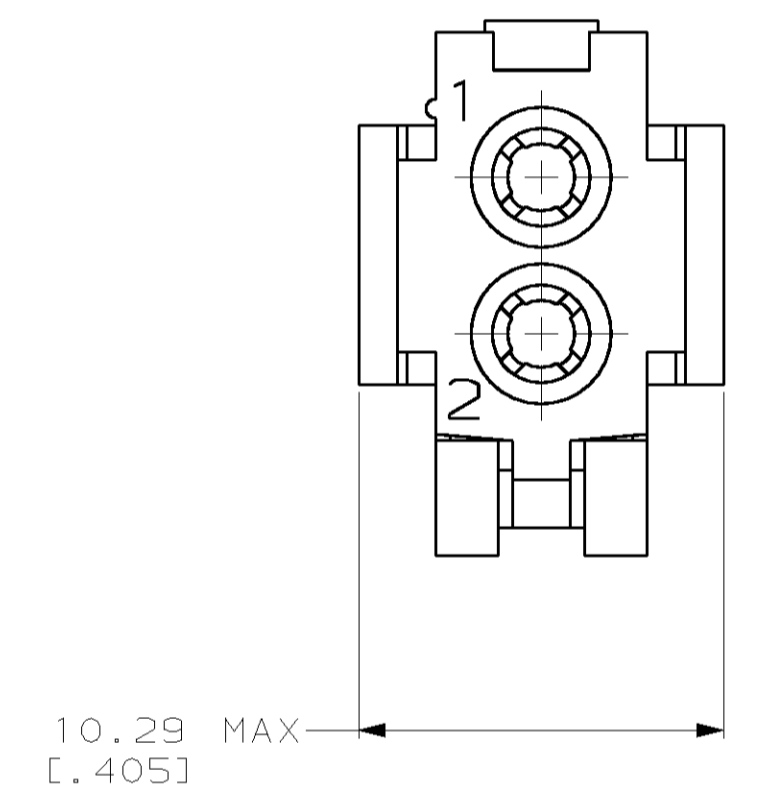
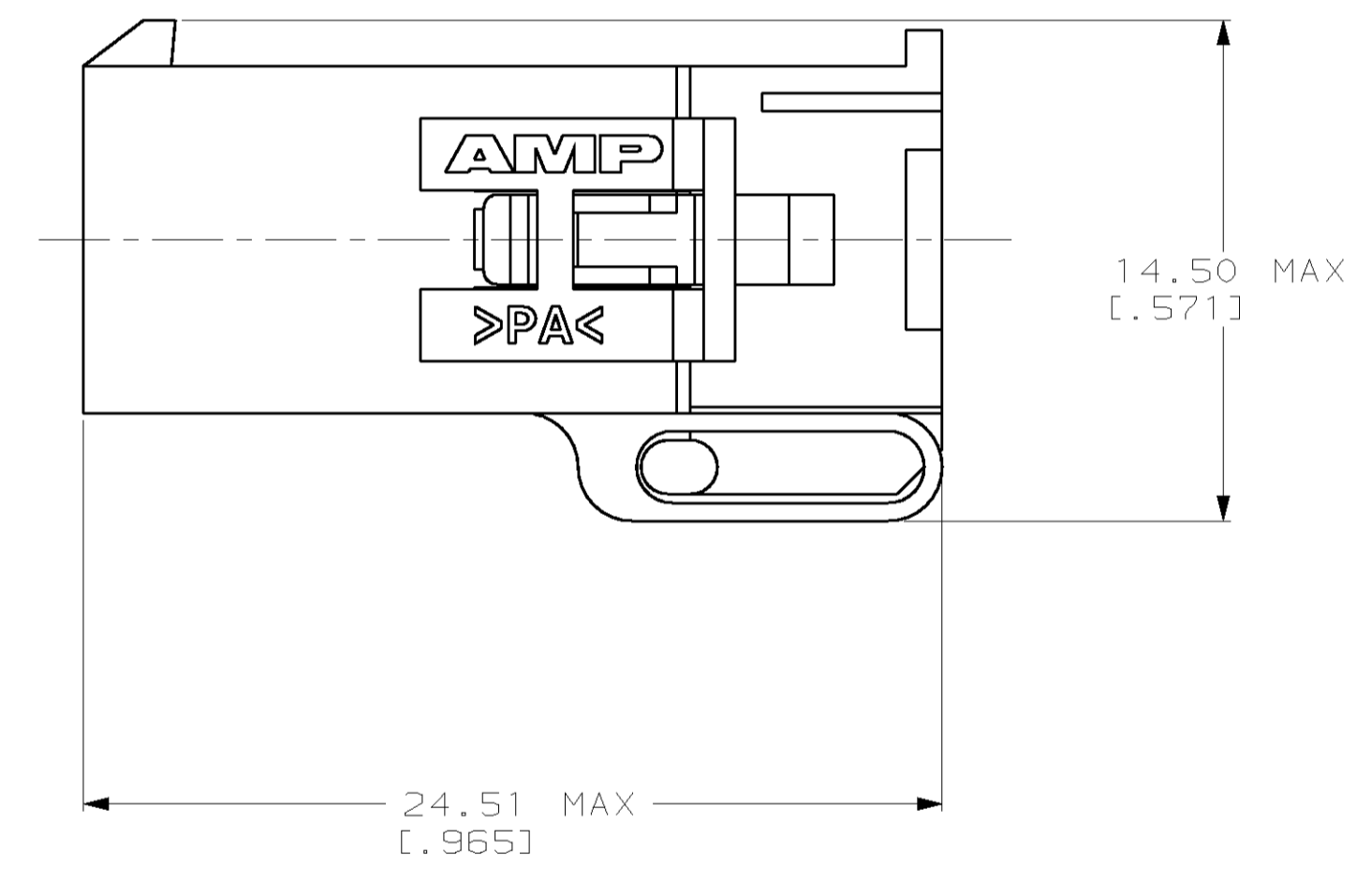
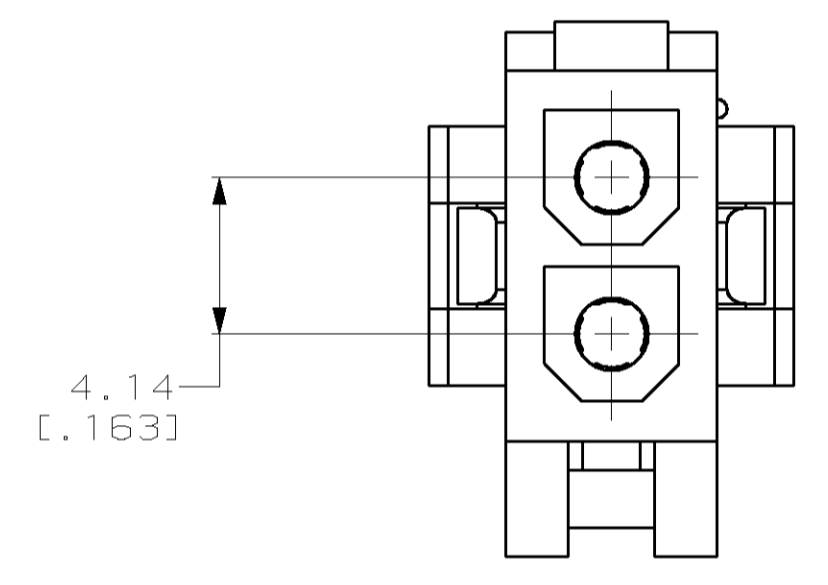


LOC		DIST		REVISONS			
CM	53	FR	LYR	DESCRIPTION	DATE	DWN	APVD
		D		REVISED PER EC 063B-0375-03	06-JUN-03	KW	CJ



PRE-STAGED CONDITION

1. DIMENSIONS IN BRACKETS ARE IN INCHES.



3-DIMENSIONAL MODEL  
NTS

794238-1  
PART NUMBER

**METRIC**

THIS DRAWING IS A CONTROLLED DOCUMENT.		DWN K. WHITAKER 5-09-97	<b>AMP</b> AMP Incorporated Harrisburg, PA 17105-3608
		CHK R. SWING 5-09-97	
		APP'D E. ORSTAD 5-09-97	NAME CAP, 2 CIRCUIT, MINI UNIVERSAL MATE-N-LOK™ 2
DIMENSIONS: mm		TOLERANCES UNLESS OTHERWISE SPECIFIED:	PRODUCT SPEC
0 PLC ±.01		1 PLC ±.02	APPLICATION SPEC
2 PLC ±0.13 (0.005)		3 PLC ±.01	RESTRICTED TO
4 PLC ±.01		5 PLC ±.01	SIZE CAGE CODE DRAWING NO
ANGLES ±.02°		FINISH -	WEIGHT
MATERIAL NYLON, JL 94V-2, NATURAL			A1 00779 C-794238
			CUSTOMER DRAWING
			SCALE 5:1 SHEET 1 OF 1 REV D