

GloTek, Inc. www.globtek.com 186 Veterans Drive, Northvale, NJ 07647 Tel. (201) 784-1000 Fax (201) 784-0111	Drawing Title: GTM96600-6024-T3A, ICT / ITE / Medical Power Supply/Class 2/Household Power Supply, Efficiency Level: USA DOE Level VI / Eco-design Directive 2009/125/EC, (EU) 2019/1782, Case Color/Style: GloTek Black, Desktop/External, Regulated Switchmode AC-DC Power Supply AC Adaptor, Input Rating: 100-240V~, 50-60Hz, IEC 60320/C6 , Output Rating: 60W, 24.0V@2.7A, Output Configuration: 127 mm, 20/2 Cond, UL 2464, MOLEX P/N:43025-0400 Micro-fit 3.0 (4) circuit connector housing with 4 X Molex P/N: 43030-0001 Female terminal or Equal with overmold, Ferrite: Core Size: 14.2*28.5*8.2, GloTek Black, GT Cord # C38898, Pin Out: Pins 1 and 3: +V Pins 2 and 4: DC Com & GND, Blades/Input Cord: (Order Separately), Approvals: CB 60335; Fuse 60335; cULus (5V only); 230V CoC Tier 2; ETL; CB 62368; South Africa; cETLus 60601-1; UKCA; UL 1310; Morocco; Korea (21.0V-28.0V Only); NOM (12V only); ETL 62368; IRAM; Taiwan BSMI (24V only); CB 60950; CE; China RoHS; Class I; FCC; IRAM;PSE; PSE; PSE; Level VI; NrCAN (5V only); RoHS; S-Mark 60950; Ukraine; VCCI; WEEE; ETL 60950; RCM; CCC; CB 60601-1; S-Mark IEC/EN 60601-1; EAC; ETL; LPS 60950;	
	Model No. GTM96600-6024-T3A	
	Part No./Ordering No. RR9LI2500ML4CIMR6B	Rev A

In Addition to GloTek Inc.'s renewed ISO9001:2015 - Quality Management System Certification, GloTek Inc. is now certified to:

ISO13485:2016 - Medical Devices Quality Management System Certification

ISO14001:2015 - Environmental Management System Certification

ISO Certificates are available online at <https://www.globtek.com/iso-certificates/>

The acceptance of this specification and use of the product described in this document indicates the acceptance and binding of the customer to GloTek TERMS AND CONDITIONS (attached to the end of this document), which supersede all other agreements, terms, and conditions (<https://en.globtek.com/terms-and-conditions/>).

The purchaser of this product (Customer) agrees that it is their sole responsibility to determine suitability/fitness of the product described in this specification for their application and to take precautions for protection against any hazards attendant to the handling and use of the product.

Footnote:

GloTek Inc. will not be liable for the safety and performance of these power supplies/battery packs if unauthorized access and repair occurs. End user should consult applicable UL, CSA or EN standards for proper installation instruction.

Limitation of Use:

GloTek products are intended for use with commercial, medical, and/or industrial equipment only. GloTek product are not authorized for use as mission critical components in life support hazardous environment, nuclear or aircraft applications without prior written approval from the CEO of GloTek Inc.

Contents of this document are subject to change without prior notice.

Customer Approval of Specification:

Please approve, sign and send back to GloTek so we can complete order processing.

A delay in receipt of this form will delay delivery schedule.

Company Name: _____	Customer P/N: _____
Quote Number: _____	Date: _____
Authorized Representative Name: _____	Authorized Representative Signature: _____

GloTek, Inc. www.globtek.com 186 Veterans Drive, Northvale, NJ 07647 Tel. (201) 784-1000 Fax (201) 784-0111	Drawing Title: GTM96600-6024-T3A, ICT / ITE / Medical Power Supply/Class 2/Household Power Supply, Efficiency Level: USA DOE Level VI / Eco-design Directive 2009/125/EC, (EU) 2019/1782, Case Color/Style: GlobTek Black, Desktop/External, Regulated Switchmode AC-DC Power Supply AC Adaptor, Input Rating: 100-240V~, 50-60Hz, IEC 60320/C6 , Output Rating: 60W, 24.0V@2.7A, Output Configuration: 127 mm, 20/2 Cond, UL 2464, MOLEX P/N:43025-0400 Micro-fit 3.0 (4) circuit connector housing with 4 X Molex P/N: 43030-0001 Female terminal or Equal with overmold, Ferrite: Core Size: 14.2*28.5*8.2, GlobTek Black, GT Cord # C38898, Pin Out: Pins 1 and 3: +V Pins 2 and 4: DC Com & GND, Blades/Input Cord: (Order Separately), Approvals: CB 60335; Fuse 60335; cULus (5V only); 230V CoC Tier 2; ETL; CB 62368; South Africa; cETLus 60601-1; UKCA; UL 1310; Morocco; Korea (21.0V-28.0V Only); NOM (12V only); ETL 62368; IRAM; Taiwan BSMI (24V only); CB 60950; CE; China RoHS; Class I; FCC; IRAM;PSE; PSE; PSE; Level VI; NrCAN (5V only); RoHS; S-Mark 60950; Ukraine; VCCI; WEEE; ETL 60950; RCM; CCC; CB 60601-1; S-Mark IEC/EN 60601-1; EAC; ETL; LPS 60950;	
	Model No. GTM96600-6024-T3A	
	Part No./Ordering No. RR9LI2500ML4CIMR6B	Rev A

REVISION HISTORY

REV	DESCRIPTION	SUB	DATE	APPROVED
A	Initial Release	bsiep	04/26/2019	QA

POWER SUPPLY INFORMATION

TYPE	Desktop/External
TECHNOLOGY	Regulated Switchmode AC-DC Power Supply AC Adaptor
CASE COLOR	GlobTek Black
NAMEPLATE RATED INPUT	100-240V~, 50-60Hz, 1.5A
INPUT CONFIG	IEC 60320/C6
WATTS	60.00
VOLTS OUT	24.0
CURRENT OUT (Amps)	2.7
BLADE/CORD INCLUDED	None (Order Separately)
BLADE/CORD INSTALLED	None (Order Separately)
INGRESS PROTECTION	IP41
GROUNDING CONFIGURATION	(E1) Earthed output
EFFICIENCY LEVEL	USA DOE Level VI / Eco-design Directive 2009/125/EC, (EU) 2019/1782 - Europe Code of Conduct on Energy Efficiency of External Power Supplies - Version 5
OUTPUT CONFIGURATION	127 mm, 20/2 Cond, UL 2464, MOLEX P/N:43025-0400 Micro-fit 3.0 (4) circuit connector housing with 4 X Molex P/N: 43030-0001 Female terminal or Equal with overmold, Ferrite: Core Size: 14.2*28.5*8.2, GlobTek Black, GT Cord # C38898
CONNECTOR PIN OUT	Pins 1 and 3: +V Pins 2 and 4: DC Com & GND
LABEL SPECS	Standard GT,L-1186
SPECIAL BARCODE LABEL MATERIAL	No
PACK SPEC	Standard DT, Individually Box
USER MANUAL	

PROPRIETARY INFORMATION

GloTek, Inc. www.globtek.com 186 Veterans Drive, Northvale, NJ 07647 Tel. (201) 784-1000 Fax (201) 784-0111	Drawing Title: GTM96600-6024-T3A, ICT / ITE / Medical Power Supply/Class 2/Household Power Supply, Efficiency Level: USA DOE Level VI / Eco-design Directive 2009/125/EC, (EU) 2019/1782, Case Color/Style: GlobTek Black, Desktop/External, Regulated Switchmode AC-DC Power Supply AC Adaptor, Input Rating: 100-240V~, 50-60Hz, IEC 60320/C6 , Output Rating: 60W, 24.0V@2.7A, Output Configuration: 127 mm, 20/2 Cond, UL 2464, MOLEX P/N:43025-0400 Micro-fit 3.0 (4) circuit connector housing with 4 X Molex P/N: 43030-0001 Female terminal or Equal with overmold, Ferrite: Core Size: 14.2*28.5*8.2, GlobTek Black, GT Cord # C38898, Pin Out: Pins 1 and 3: +V Pins 2 and 4: DC Com & GND, Blades/Input Cord: (Order Separately), Approvals: CB 60335; Fuse 60335; cULus (5V only); 230V CoC Tier 2; ETL; CB 62368; South Africa; cETLus 60601-1; UKCA; UL 1310; Morocco; Korea (21.0V-28.0V Only); NOM (12V only); ETL 62368; IRAM; Taiwan BSMI (24V only); CB 60950; CE; China RoHS; Class I; FCC; IRAM;PSE; PSE; PSE; Level VI; NrCAN (5V only); RoHS; S-Mark 60950; Ukraine; VCCI; WEEE; ETL 60950; RCM; CCC; CB 60601-1; S-Mark IEC/EN 60601-1; EAC; ETL; LPS 60950;	
	Model No. GTM96600-6024-T3A	
	Part No./Ordering No. RR9LI2500ML4CIMR6B	Rev A

Notes/Modifications/Customizations (notes in this section supersede the values shown in the standard spec)

DIMENSIONS ARE IN MM UNLESS SPECIFIED OTHERWISE

GlobTek, Inc. www.globtek.com 186 Veterans Drive, Northvale, NJ 07647 Tel. (201) 784-1000 Fax (201) 784-0111	Drawing Title: GTM96600-6024-T3A, ICT / ITE / Medical Power Supply/Class 2/Household Power Supply, Efficiency Level: USA DOE Level VI / Eco-design Directive 2009/125/EC, (EU) 2019/1782, Case Color/Style: GlobTek Black, Desktop/External, Regulated Switchmode AC-DC Power Supply AC Adaptor, Input Rating: 100-240V~, 50-60Hz, IEC 60320/C6 , Output Rating: 60W, 24.0V@2.7A, Output Configuration: 127 mm, 20/2 Cond, UL 2464, MOLEX P/N:43025-0400 Micro-fit 3.0 (4) circuit connector housing with 4 X Molex P/N: 43030-0001 Female terminal or Equal with overmold, Ferrite: Core Size: 14.2*28.5*8.2, GlobTek Black, GT Cord # C38898, Pin Out: Pins 1 and 3: +V Pins 2 and 4: DC Com & GND, Blades/Input Cord: (Order Separately), Approvals: CB 60335; Fuse 60335; cULus (5V only); 230V CoC Tier 2; ETL; CB 62368; South Africa; cETLus 60601-1; UKCA; UL 1310; Morocco; Korea (21.0V-28.0V Only); NOM (12V only); ETL 62368; IRAM; Taiwan BSMI (24V only); CB 60950; CE; China RoHS; Class I; FCC; IRAM;PSE; PSE; PSE; Level VI; NrCAN (5V only); RoHS; S-Mark 60950; Ukraine; VCCE; WEEE; ETL 60950; RCM; CCC; CB 60601-1; S-Mark IEC/EN 60601-1; EAC; ETL; LPS 60950;	
	Model No. GTM96600-6024-T3A	
	Part No./Ordering No. RR9LI2500ML4CIMR6B	Rev A

ELECTRICAL SPECIFICATIONS

Input

Input Voltage:	Specified: 90-264VAC, Nameplate: 100-240VAC 100% rated load current for 90-264VAC 85% rated load current for 85-264VAC 100% rated load current for 110-370VDC
Input Frequency:	Specified: 47-63Hz, Nameplate: 50-60Hz
No Load Input Power:	<75mW @ 230VAC (EU CoC Tier 2 compliant) for ≤ 49W rating <150mW @ 230VAC (EU CoC Tier 2 compliant) for > 49W rating
Inrush Current:	30A/60A max. (cold start @ 115V/230VAC)
Efficiency:	DoE Level VI and EU CoC Tier 2 compliant

Output

Turn-on Delay:	1 second max. @ 115VAC and full load
Output Regulation:	± 5% (measured at output connector)
Line Regulation:	± 0.5% typ. (measured at output connector)
Ripple:	1% or 100mV, whichever is greater (using a 47µF low-ESR cap + 0.1µF ceramic capacitor, measured @ 20MHz BW, at output connector)
Transient Response:	5% max. deviation, 1ms typ. recovery time (with 40% to 70% load step)
Hold-up Time:	8ms typ. (nominal input voltage and full load)
Power Indicator:	Green LED

Protections

Input Protection:	MOV transient suppressor, input line fusing
Over-Current Protection:	110 - 160% of rated output current, auto-restart, current limit range determined by normal output power rating, not de-rated power rating
Short-Circuit Protection:	Auto-restart
Over-Voltage Protection:	110 - 130%, latched off, cycle AC to reset
Over-Temperature Protection:	On-chip temperature sensor (integrated in primary-side switching controller), shut down at Tj = ~140°C, latched off, cycle AC to reset

Environmental

GlobTek, Inc. www.globtek.com 186 Veterans Drive, Northvale, NJ 07647 Tel. (201) 784-1000 Fax (201) 784-0111	Drawing Title: GTM96600-6024-T3A, ICT / ITE / Medical Power Supply/Class 2/Household Power Supply, Efficiency Level: USA DOE Level VI / Eco-design Directive 2009/125/EC, (EU) 2019/1782, Case Color/Style: GlobTek Black, Desktop/External, Regulated Switchmode AC-DC Power Supply AC Adaptor, Input Rating: 100-240V~, 50-60Hz, IEC 60320/C6 , Output Rating: 60W, 24.0V@2.7A, Output Configuration: 127 mm, 20/2 Cond, UL 2464, MOLEX P/N:43025-0400 Micro-fit 3.0 (4) circuit connector housing with 4 X Molex P/N: 43030-0001 Female terminal or Equal with overmold, Ferrite: Core Size: 14.2*28.5*8.2, GlobTek Black, GT Cord # C38898, Pin Out: Pins 1 and 3: +V Pins 2 and 4: DC Com & GND, Blades/Input Cord: (Order Separately), Approvals: CB 60335; Fuse 60335; cULus (5V only); 230V CoC Tier 2; ETL; CB 62368; South Africa; cETLus 60601-1; UKCA; UL 1310; Morocco; Korea (21.0V-28.0V Only); NOM (12V only); ETL 62368; IRAM; Taiwan BSMI (24V only); CB 60950; CE; China RoHS; Class I; FCC; IRAM;PSE; PSE; PSE; Level VI; NrCAN (5V only); RoHS; S-Mark 60950; Ukraine; VCCI; WEEE; ETL 60950; RCM; CCC; CB 60601-1; S-Mark IEC/EN 60601-1; EAC; ETL; LPS 60950;	
	Model No. GTM96600-6024-T3A	
	Part No./Ordering No. RR9LI2500ML4CIMR6B	Rev A

MTBF:	1,500,000 hours @ 25°C ambient, full load (Telcordia SR-332, Issue 3)
Operating Temperature:	-20°C to 40°C (full load)
Storage Temperature:	-30°C to 80°C
Humidity:	0% to 95% relative humidity, non-condensing
Altitude:	5000m
Cooling:	Convection
RoHS:	Complies with EU 2011/65/EU and China SJ/T 11363-2006
Note 1:	Regarding operating temperature a. See below de-rating table for output power capability at alternate temperature b. Extended low-end temperature range available as a custom option

Safety

Dielectric Withstand Voltage:	4000VAC or 5656VDC from input to output 3000VAC or 4242VDC from input to earth (Class I models only)
Touch Current:	Class I: 20µA max. Class II: 85µA max. Class II F2: 20µA max.
Earth Leakage Current	Class I: 300µA max. Class II: N/A
Means of Protection:	2 x MOPP
Output Isolation Options:	Class I: C6 or C14 inlet (output negative tied to Earth contact) Class II: C8 or C18 inlet Class II FE: C6 or C14 inlet (output isolated from Earth contact) Review isolation options by reading our white paper PSU Isolation and Identity .
Earth Continuity Test:	< 0.1Ω between earth pin (on AC inlet) and PCB termination point (Class I models only)
Compliant Standards:	See listing at end of this datasheet for specific standards

EMC

GlobTek, Inc. www.globtek.com 186 Veterans Drive, Northvale, NJ 07647 Tel. (201) 784-1000 Fax (201) 784-0111	Drawing Title: GTM96600-6024-T3A, ICT / ITE / Medical Power Supply/Class 2/Household Power Supply, Efficiency Level: USA DOE Level VI / Eco-design Directive 2009/125/EC, (EU) 2019/1782, Case Color/Style: GlobTek Black, Desktop/External, Regulated Switchmode AC-DC Power Supply AC Adaptor, Input Rating: 100-240V~, 50-60Hz, IEC 60320/C6 , Output Rating: 60W, 24.0V@2.7A, Output Configuration: 127 mm, 20/2 Cond, UL 2464, MOLEX P/N:43025-0400 Micro-fit 3.0 (4) circuit connector housing with 4 X Molex P/N: 43030-0001 Female terminal or Equal with overmold, Ferrite: Core Size: 14.2*28.5*8.2, GlobTek Black, GT Cord # C38898, Pin Out: Pins 1 and 3: +V Pins 2 and 4: DC Com & GND, Blades/Input Cord: (Order Separately), Approvals: CB 60335; Fuse 60335; cULus (5V only); 230V CoC Tier 2; ETL; CB 62368; South Africa; cETLus 60601-1; UKCA; UL 1310; Morocco; Korea (21.0V-28.0V Only); NOM (12V only); ETL 62368; IRAM; Taiwan BSMI (24V only); CB 60950; CE; China RoHS; Class I; FCC; IRAM;PSE; PSE; PSE; Level VI; NrCAN (5V only); RoHS; S-Mark 60950; Ukraine; VCCI; WEEE; ETL 60950; RCM; CCC; CB 60601-1; S-Mark IEC/EN 60601-1; EAC; ETL; LPS 60950;	
	Model No. GTM96600-6024-T3A	
	Part No./Ordering No. RR9LI2500ML4CIMR6B	Rev A

Applicable Standards:	Medical: EN60601-1-2, 4th edition Emissions: EN55032, EN61000-6-3, EN61000-6-4, CISPR11, CISPR22 Immunity: EN55024, EN61000-6-1, EN61000-6-2
Conducted Emissions:	Class B, FCC Part 15, Class B (with resistive load)
Radiated Emissions:	Class B, FCC Part 15, Class B (with resistive load)
Harmonic Current Voltage Distortion:	EN61000-3-2, Class A
Voltage Fluctuations/Flicker:	EN61000-3-3
Electrostatic Discharge (ESD) Immunity:	EN61000-4-2, 10KV contact discharge, 20KV air discharge
Radiated RF Immunity:	EN61000-4-3, 10V/m 80-1000MHz, 3V/m 1-2.7GHz, 80% 1KHz AM
EFT/Burst Immunity:	EN61000-4-4, 4KV/100kHz.
Line Surge Immunity:	EN61000-4-5, 2KV differential, 4KV common-mode
Conducted RF Immunity:	EN61000-4-6, 3VRMS, 80% 1KHz AM
Power Frequency Magnetic Field Immunity:	EN61000-4-8, 3A/m
Voltage Dip Immunity:	EN61000-4-11

Enclosure

Housing:	High impact plastic, 94V0 polycarbonate, non-vented
AC Input Mechanical Options:	Desktop: C6, C7, C14, or C18 inlet Hybrid: Desktop inlet or changeable blades for wall-plug-in style, Class I or Class II input
Markings:	Label and/or pad printed and/or laser-etched into case

Special Options

1. Removal of LED (cost reduction or aesthetic purpose)
2. Custom cordsets, various cordage types, and connector types
3. Custom markings
4. Short term output surge capability for motors or other high peak current loads. (Available up to 120W for 1 second at nameplate voltage range. Higher levels possible for limited input voltage range, or larger allowed voltage dip.)
5. Reduced leakage current
6. Tightened output voltage tolerance
7. Reduced output ripple level
8. Reduced output power rating
9. High reliability PCB laminate with plated through-holes for IPC610 Class 2 compliance
10. Low temperature option, down to -40°C
11. Special housing and cordset colors
12. "Back EMF" upgrade, for motor loads and other high inductance applications with reverse energy flow requirements
13. Improved ingress protection (IP) rating

Output Connectors

GloBtek, Inc. www.globtek.com 186 Veterans Drive, Northvale, NJ 07647 Tel. (201) 784-1000 Fax (201) 784-0111	Drawing Title: GTM96600-6024-T3A, ICT / ITE / Medical Power Supply/Class 2/Household Power Supply, Efficiency Level: USA DOE Level VI / Eco-design Directive 2009/125/EC, (EU) 2019/1782, Case Color/Style: GloBtek Black, Desktop/External, Regulated Switchmode AC-DC Power Supply AC Adaptor, Input Rating: 100-240V~, 50-60Hz, IEC 60320/C6 , Output Rating: 60W, 24.0V@2.7A, Output Configuration: 127 mm, 20/2 Cond, UL 2464, MOLEX P/N:43025-0400 Micro-fit 3.0 (4) circuit connector housing with 4 X Molex P/N: 43030-0001 Female terminal or Equal with overmold, Ferrite: Core Size: 14.2*28.5*8.2, GloBtek Black, GT Cord # C38898, Pin Out: Pins 1 and 3: +V Pins 2 and 4: DC Com & GND, Blades/Input Cord: (Order Separately), Approvals: CB 60335; Fuse 60335; cULus (5V only); 230V CoC Tier 2; ETL; CB 62368; South Africa; cETLus 60601-1; UKCA; UL 1310; Morocco; Korea (21.0V-28.0V Only); NOM (12V only); ETL 62368; IRAM; Taiwan BSMI (24V only); CB 60950; CE; China RoHS; Class I; FCC; IRAM;PSE; PSE; PSE; Level VI; NrCAN (5V only); RoHS; S-Mark 60950; Ukraine; VCCI; WEEE; ETL 60950; RCM; CCC; CB 60601-1; S-Mark IEC/EN 60601-1; EAC; ETL; LPS 60950;	
	Model No. GTM96600-6024-T3A	
	Part No./Ordering No. RR9LI2500ML4CIMR6B	Rev A

- Several output connector options are available with various output current ratings. GloBtek can supply 10A rated 2.1mm and 2.5mm style DC Power Jacks, to complement our 10A output rated 2.1mm and 2.5mm DC power plugs used on our output cordsets.
- Please visit our real-time listing of mating connector product offering:
<https://en.globtek.com/news/high-current-coaxial-barrel-plug-jacks-for-high-wattage-power-supplies>

TO ADDRESS SYSTEM-LEVEL EMI CONCERNS, FERRITE CHOKES/BEADS MAY BE ADDED/REVISED UPON REQUEST. A SAMPLE KIT OF GLOBTEK'S STANDARD FERRITES IS AVAILABLE UNDER GLOBTEK P/N: EMI-MITIGATION-KIT1

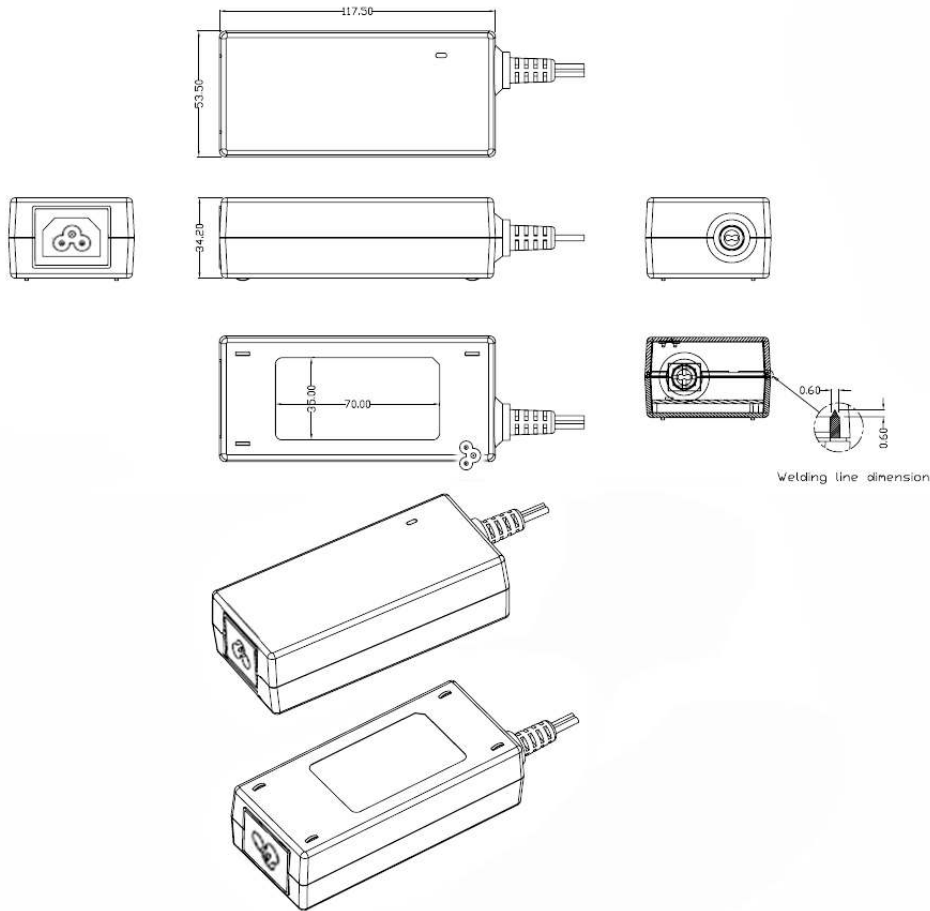
FOR ADDITIONAL INFORMATION, PLEASE READ OUR WHITE PAPER AT: <https://r.globtek.info/3QeaqtD>

INGRESS PROTECTION: IP41

<p>GlobTek, Inc. www.globtek.com 186 Veterans Drive, Northvale, NJ 07647 Tel. (201) 784-1000 Fax (201) 784-0111</p>	<p>Drawing Title: GTM96600-6024-T3A, ICT / ITE / Medical Power Supply/Class 2/Household Power Supply, Efficiency Level: USA DOE Level VI / Eco-design Directive 2009/125/EC, (EU) 2019/1782, Case Color/Style: GlobTek Black, Desktop/External, Regulated Switchmode AC-DC Power Supply AC Adaptor, Input Rating: 100-240V~, 50-60Hz, IEC 60320/C6 , Output Rating: 60W, 24.0V@2.7A, Output Configuration: 127 mm, 20/2 Cond, UL 2464, MOLEX P/N:43025-0400 Micro-fit 3.0 (4) circuit connector housing with 4 X Molex P/N: 43030-0001 Female terminal or Equal with overmold, Ferrite: Core Size: 14.2*28.5*8.2, GlobTek Black, GT Cord # C38898, Pin Out: Pins 1 and 3: +V Pins 2 and 4: DC Com & GND, Blades/Input Cord: (Order Separately), Approvals: CB 60335; Fuse 60335; cULus (5V only); 230V CoC Tier 2; ETL; CB 62368; South Africa; cETLus 60601-1; UKCA; UL 1310; Morocco; Korea (21.0V-28.0V Only); NOM (12V only); ETL 62368; IRAM; Taiwan BSMI (24V only); CB 60950; CE; China RoHS; Class I; FCC; IRAM;PSE; PSE; PSE; Level VI; NrCAN (5V only); RoHS; S-Mark 60950; Ukraine; VCCI; WEEE; ETL 60950; RCM; CCC; CB 60601-1; S-Mark IEC/EN 60601-1; EAC; ETL; LPS 60950;</p>	
	<p>Model No. GTM96600-6024-T3A</p>	
	<p>Part No./Ordering No. RR9LI2500ML4CIMR6B</p>	<p>Rev A</p>

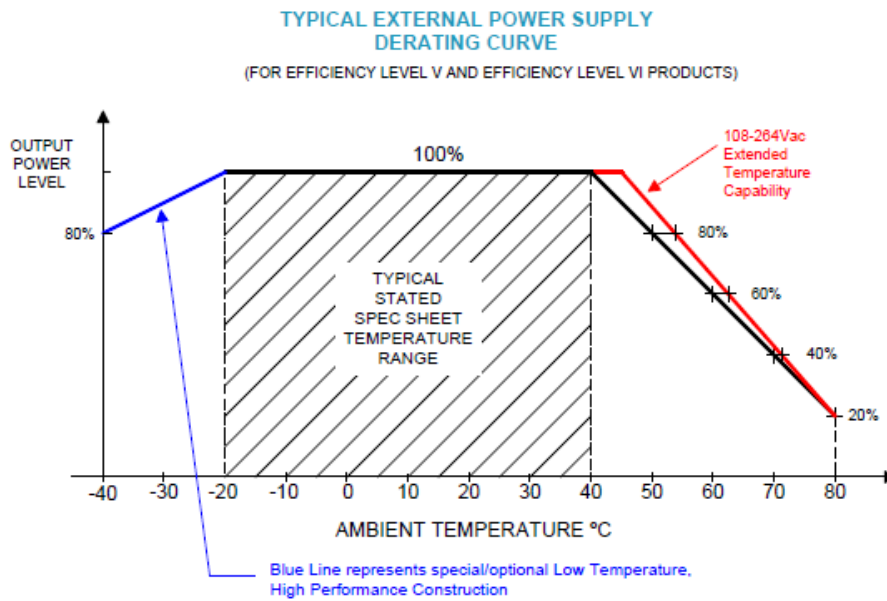
3D File Download <https://www.globtek.com/dl/GTM96600-T3A.igs>

Mechanical drawing



<p>GlobTek, Inc. www.globtek.com 186 Veterans Drive, Northvale, NJ 07647 Tel. (201) 784-1000 Fax (201) 784-0111</p>	<p>Drawing Title: GTM96600-6024-T3A, ICT / ITE / Medical Power Supply/Class 2/Household Power Supply, Efficiency Level: USA DOE Level VI / Eco-design Directive 2009/125/EC, (EU) 2019/1782, Case Color/Style: GlobTek Black, Desktop/External, Regulated Switchmode AC-DC Power Supply AC Adaptor, Input Rating: 100-240V~, 50-60Hz, IEC 60320/C6 , Output Rating: 60W, 24.0V@2.7A, Output Configuration: 127 mm, 20/2 Cond, UL 2464, MOLEX P/N:43025-0400 Micro-fit 3.0 (4) circuit connector housing with 4 X Molex P/N: 43030-0001 Female terminal or Equal with overmold, Ferrite: Core Size: 14.2*28.5*8.2, GlobTek Black, GT Cord # C38898, Pin Out: Pins 1 and 3: +V Pins 2 and 4: DC Com & GND, Blades/Input Cord: (Order Separately), Approvals: CB 60335; Fuse 60335; cULus (5V only); 230V CoC Tier 2; ETL; CB 62368; South Africa; cETLus 60601-1; UKCA; UL 1310; Morocco; Korea (21.0V-28.0V Only); NOM (12V only); ETL 62368; IRAM; Taiwan BSMI (24V only); CB 60950; CE; China RoHS; Class I; FCC; IRAM;PSE; PSE; PSE; Level VI; NrCAN (5V only); RoHS; S-Mark 60950; Ukraine; VCCI; WEEE; ETL 60950; RCM; CCC; CB 60601-1; S-Mark IEC/EN 60601-1; EAC; ETL; LPS 60950;</p>	
<p>Model No. GTM96600-6024-T3A</p>		
<p>Part No./Ordering No. RR9LI2500ML4CIMR6B</p>		<p>Rev A</p>

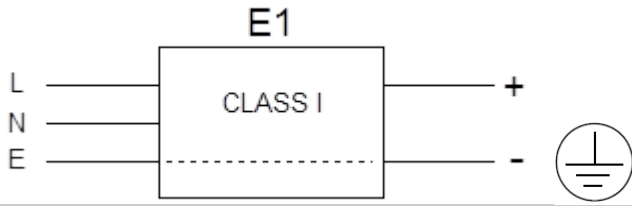
DERATING CURVE



GlobTek, Inc. www.globtek.com 186 Veterans Drive, Northvale, NJ 07647 Tel. (201) 784-1000 Fax (201) 784-0111	Drawing Title: GTM96600-6024-T3A, ICT / ITE / Medical Power Supply/Class 2/Household Power Supply, Efficiency Level: USA DOE Level VI / Eco-design Directive 2009/125/EC, (EU) 2019/1782, Case Color/Style: GlobTek Black, Desktop/External, Regulated Switchmode AC-DC Power Supply AC Adaptor, Input Rating: 100-240V~, 50-60Hz, IEC 60320/C6 , Output Rating: 60W, 24.0V@2.7A, Output Configuration: 127 mm, 20/2 Cond, UL 2464, MOLEX P/N:43025-0400 Micro-fit 3.0 (4) circuit connector housing with 4 X Molex P/N: 43030-0001 Female terminal or Equal with overmold, Ferrite: Core Size: 14.2*28.5*8.2, GlobTek Black, GT Cord # C38898, Pin Out: Pins 1 and 3: +V Pins 2 and 4: DC Com & GND, Blades/Input Cord: (Order Separately), Approvals: CB 60335; Fuse 60335; cULus (5V only); 230V CoC Tier 2; ETL; CB 62368; South Africa; cETLus 60601-1; UKCA; UL 1310; Morocco; Korea (21.0V-28.0V Only); NOM (12V only); ETL 62368; IRAM; Taiwan BSMI (24V only); CB 60950; CE; China RoHS; Class I; FCC; IRAM;PSE; PSE; PSE; Level VI; NrCAN (5V only); RoHS; S-Mark 60950; Ukraine; VCCI; WEEE; ETL 60950; RCM; CCC; CB 60601-1; S-Mark IEC/EN 60601-1; EAC; ETL; LPS 60950;	
	Model No. GTM96600-6024-T3A	
	Part No./Ordering No. RR9LI2500ML4CIMR6B	Rev A

INPUT CONFIGURATION

(E1) Earthed output

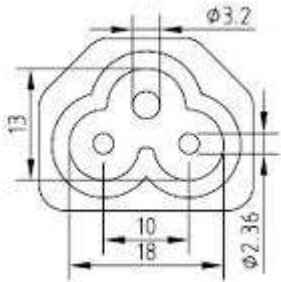


[Alternate grounding configurations](#) available upon request.

Blades/Cord Included:None:(Order Separately)

Blades/Cord Installed:None:(Order Separately)

IEC 60320/C6 AC Inlet Connector, Class I, Earth Ground (aka "Mickey Mouse")



Mates with IEC 60320/C5 Plug

[Standard International IEC 320/C5 Cordsets](#)

Below are standard cordsets which are "not included" (unless stated above); these can be purchased separately or package with the power supply. Contact your Sales Engineer if the style required is not shown below. Many more available in different lengths, colors or cable material.

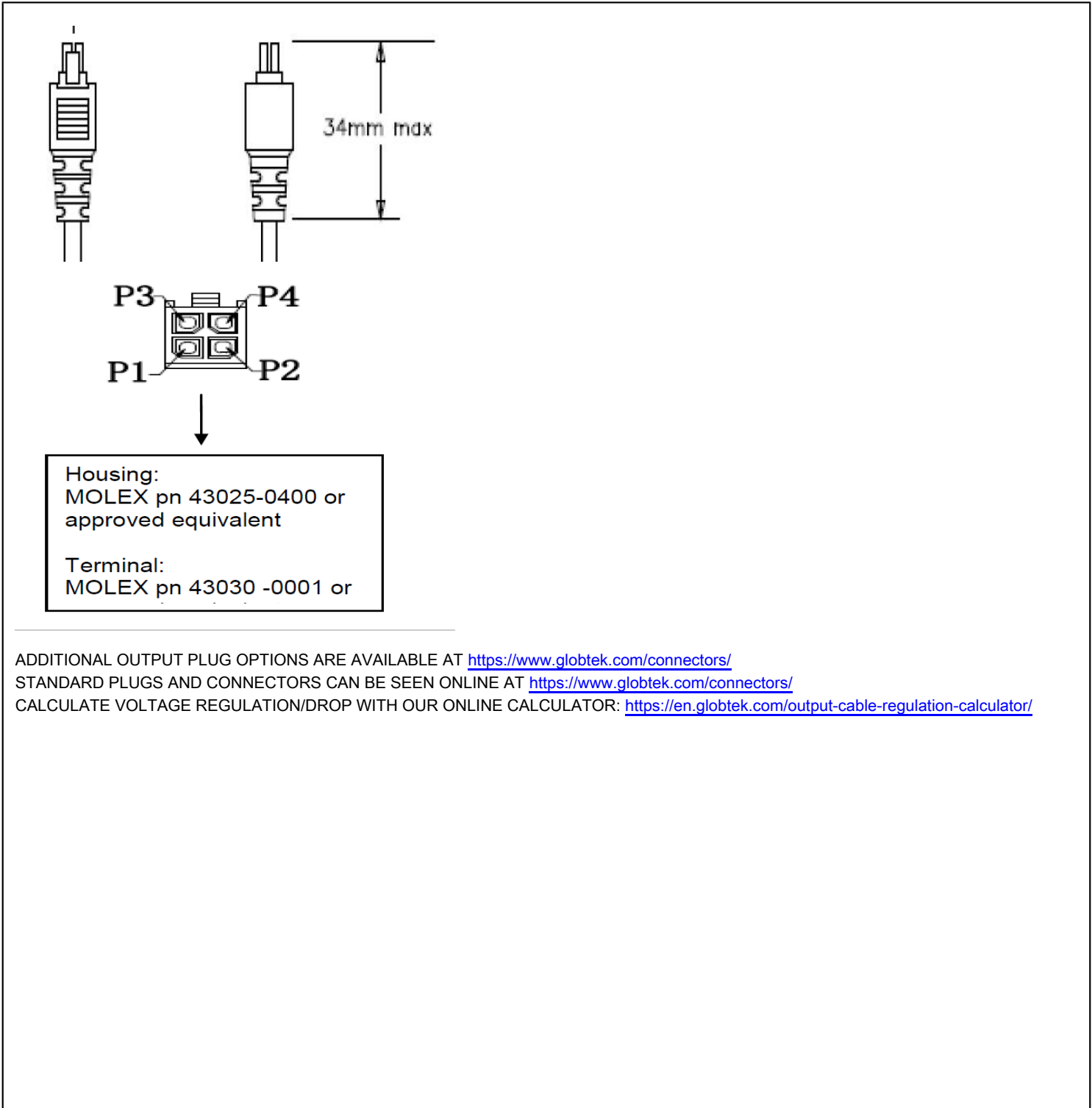
GloTek, Inc. www.globtek.com 186 Veterans Drive, Northvale, NJ 07647 Tel. (201) 784-1000 Fax (201) 784-0111	Drawing Title: GTM96600-6024-T3A, ICT / ITE / Medical Power Supply/Class 2/Household Power Supply, Efficiency Level: USA DOE Level VI / Eco-design Directive 2009/125/EC, (EU) 2019/1782, Case Color/Style: GlobTek Black, Desktop/External, Regulated Switchmode AC-DC Power Supply AC Adaptor, Input Rating: 100-240V~, 50-60Hz, IEC 60320/C6 , Output Rating: 60W, 24.0V@2.7A, Output Configuration: 127 mm, 20/2 Cond, UL 2464, MOLEX P/N:43025-0400 Micro-fit 3.0 (4) circuit connector housing with 4 X Molex P/N: 43030-0001 Female terminal or Equal with overmold, Ferrite: Core Size: 14.2*28.5*8.2, GlobTek Black, GT Cord # C38898, Pin Out: Pins 1 and 3: +V Pins 2 and 4: DC Com & GND, Blades/Input Cord: (Order Separately), Approvals: CB 60335; Fuse 60335; cULus (5V only); 230V CoC Tier 2; ETL; CB 62368; South Africa; cETLus 60601-1; UKCA; UL 1310; Morocco; Korea (21.0V-28.0V Only); NOM (12V only); ETL 62368; IRAM; Taiwan BSMI (24V only); CB 60950; CE; China RoHS; Class I; FCC; IRAM;PSE; PSE; PSE; Level VI; NrCAN (5V only); RoHS; S-Mark 60950; Ukraine; VCCI; WEEE; ETL 60950; RCM; CCC; CB 60601-1; S-Mark IEC/EN 60601-1; EAC; ETL; LPS 60950;	
	Model No. GTM96600-6024-T3A	
	Part No./Ordering No. RR9LI2500ML4CIMR6B	Rev A

Part Number / Link	Country	Plug	Connector	Length (mm)	Length (ft)
3021066F712(R)	N. American (Type B)	NEMA 5-15P	IEC 320/C5	1880	6
1191068F0712(R)	N. American (Type B)	NEMA 5-15P Hospital	IEC 320/C5	2459	8
2194262M0712(R)	Argentina (Type I)	IRAM 2073	IEC320/C5	2050	6.7
2064262M0712(R)	Australian (Type I)	AS3112 / 3 PRONG	IEC 320/C5	2000	6.6
204B4262M0712(R)	Brazil (Type N)	BRAZIL	IEC 320/C5	2000	6.6
6023592M5712(R)	China (Type I)	CCC GR2099	IEC 320/C5	2500	8
23144262M0712(R)	Europe (Type E)	CEE 7/7	IEC 320/C5	2050	6.6
2313K3432M0712(R)	Korea (Type F)	KS C 8305	IEC 320/C5	2000	6.6
205IN4262M0712(R)	India (Type D)	India IS 1293 (also known as IA16A3 or BS546)	IEC320/C5	2000	6.6
377C4262M0712(R)	Israel (Type H)	ISL	IEC320/C5	2050	6.7
23024262M0712(R)	Italy (Type L)	CEI 23-16/VII	IEC 320/C5	2000	6.6
3003316F0712(R)	Japan (Type B)	JIS 8303 / 3 PINS	IEC 320/C5	1830	6
3021066F0712ULPSE(R)	Japan / USA (Type B)	JIS 8303 / 3 PINS + NEMA 5-15P	IEC 320/C5	1830	6
2054262M0712(R)	S. Africa (Type D)	South Africa SABS164-1 (6A type plug)	IEC320/C5	2050	6.7
2084262M0712(R)	S.Africa (Type M)	South Africa SABS164-1 (16A type plug)	IEC 320/C5	2000	6.6
23214262M0712(R)	Switzerland (Type J)	SEV 1011 (EL 203)	IEC 320/C5	2000	6.6
3003316F0712(R)	Taiwan (Type B)	BSMI	IEC 320/C5	2000	6.6
6104262M0712(R)	UK, Hong Kong, Singapore, Gulf States (Type G)	BS1363	IEC 320/C5	2000	6.6

GlobTek, Inc. www.globtek.com 186 Veterans Drive, Northvale, NJ 07647 Tel. (201) 784-1000 Fax (201) 784-0111	Drawing Title: GTM96600-6024-T3A, ICT / ITE / Medical Power Supply/Class 2/Household Power Supply, Efficiency Level: USA DOE Level VI / Eco-design Directive 2009/125/EC, (EU) 2019/1782, Case Color/Style: GlobTek Black, Desktop/External, Regulated Switchmode AC-DC Power Supply AC Adaptor, Input Rating: 100-240V~, 50-60Hz, IEC 60320/C6 , Output Rating: 60W, 24.0V@2.7A, Output Configuration: 127 mm, 20/2 Cond, UL 2464, MOLEX P/N:43025-0400 Micro-fit 3.0 (4) circuit connector housing with 4 X Molex P/N: 43030-0001 Female terminal or Equal with overmold, Ferrite: Core Size: 14.2*28.5*8.2, GlobTek Black, GT Cord # C38898, Pin Out: Pins 1 and 3: +V Pins 2 and 4: DC Com & GND, Blades/Input Cord: (Order Separately), Approvals: CB 60335; Fuse 60335; cULus (5V only); 230V CoC Tier 2; ETL; CB 62368; South Africa; cETLus 60601-1; UKCA; UL 1310; Morocco; Korea (21.0V-28.0V Only); NOM (12V only); ETL 62368; IRAM; Taiwan BSMI (24V only); CB 60950; CE; China RoHS; Class I; FCC; IRAM;PSE; PSE; PSE; Level VI; NrCAN (5V only); RoHS; S-Mark 60950; Ukraine; VCCI; WEEE; ETL 60950; RCM; CCC; CB 60601-1; S-Mark IEC/EN 60601-1; EAC; ETL; LPS 60950;	
	Model No. GTM96600-6024-T3A	
	Part No./Ordering No. RR9LI2500ML4CIMR6B	Rev A

OUTPUT CORD AND CONNECTOR:		MOL4_1/C38898
ACTUAL CONNECTORS, OVERMOLDS, FERRITES MAY VARY SLIGHTLY FROM THE PICTURE BELOW		
CABLE TYPE	UL 2464	
CABLE LENGTH (mm)	127	
CABLE TOLERANCE (mm)	+50-0	
WIRE GAUGE (AWG)	20	
CONDUCTORS	2	
HANK DIMENSION (mm)	not applicable	
CABLE / CONNECTOR OVERMOLD COLOR	GlobTek Black	
FERRITE TYPE AND DIMENSION	Core Size: 14.2*28.5*8.2	
FERRITE NUMBER OF TURNS	2 Pass thru core (1 turns)	
(Definition)		
FERRITE DIMENSION FROM STRAIN RELIEF	50 +/- 10	
FERRITE DIMENSION FROM PLUG	N/A	
PLUG TYPE	MOLEX P/N:43025-0400 Micro-fit 3.0 (4) circuit connector housing with 4 X Molex P/N: 43030-0001 Female terminal or Equal with overmold	
OVER MOLD ORIENTATION	Mechanically Attached Connector	
CONNECTOR PIN OUT	Pins 1 and 3: +V Pins 2 and 4: DC Com & GND	
ADDITIONAL REQUIREMENTS	UL1310 Warning Label Up To 36 Volts with plugs	

<p>GlobTek, Inc. www.globtek.com 186 Veterans Drive, Northvale, NJ 07647 Tel. (201) 784-1000 Fax (201) 784-0111</p>	<p>Drawing Title: GTM96600-6024-T3A, ICT / ITE / Medical Power Supply/Class 2/Household Power Supply, Efficiency Level: USA DOE Level VI / Eco-design Directive 2009/125/EC, (EU) 2019/1782, Case Color/Style: GlobTek Black, Desktop/External, Regulated Switchmode AC-DC Power Supply AC Adaptor, Input Rating: 100-240V~, 50-60Hz, IEC 60320/C6 , Output Rating: 60W, 24.0V@2.7A, Output Configuration: 127 mm, 20/2 Cond, UL 2464, MOLEX P/N:43025-0400 Micro-fit 3.0 (4) circuit connector housing with 4 X Molex P/N: 43030-0001 Female terminal or Equal with overmold, Ferrite: Core Size: 14.2*28.5*8.2, GlobTek Black, GT Cord # C38898, Pin Out: Pins 1 and 3: +V Pins 2 and 4: DC Com & GND, Blades/Input Cord: (Order Separately), Approvals: CB 60335; Fuse 60335; cULus (5V only); 230V CoC Tier 2; ETL; CB 62368; South Africa; cETLus 60601-1; UKCA; UL 1310; Morocco; Korea (21.0V-28.0V Only); NOM (12V only); ETL 62368; IRAM; Taiwan BSMI (24V only); CB 60950; CE; China RoHS; Class I; FCC; IRAM;PSE; PSE; PSE; Level VI; NrCAN (5V only); RoHS; S-Mark 60950; Ukraine; VCCI; WEEE; ETL 60950; RCM; CCC; CB 60601-1; S-Mark IEC/EN 60601-1; EAC; ETL; LPS 60950;</p>	
	<p>Model No. GTM96600-6024-T3A</p>	
	<p>Part No./Ordering No. RR9LI2500ML4CIMR6B</p>	<p>Rev A</p>



ADDITIONAL OUTPUT PLUG OPTIONS ARE AVAILABLE AT <https://www.globtek.com/connectors/>
STANDARD PLUGS AND CONNECTORS CAN BE SEEN ONLINE AT <https://www.globtek.com/connectors/>
CALCULATE VOLTAGE REGULATION/DROP WITH OUR ONLINE CALCULATOR: <https://en.globtek.com/output-cable-regulation-calculator/>

GlobTek, Inc. www.globtek.com 186 Veterans Drive, Northvale, NJ 07647 Tel. (201) 784-1000 Fax (201) 784-0111	Drawing Title: GTM96600-6024-T3A, ICT / ITE / Medical Power Supply/Class 2/Household Power Supply, Efficiency Level: USA DOE Level VI / Eco-design Directive 2009/125/EC, (EU) 2019/1782, Case Color/Style: GlobTek Black, Desktop/External, Regulated Switchmode AC-DC Power Supply AC Adaptor, Input Rating: 100-240V~, 50-60Hz, IEC 60320/C6 , Output Rating: 60W, 24.0V@2.7A, Output Configuration: 127 mm, 20/2 Cond, UL 2464, MOLEX P/N:43025-0400 Micro-fit 3.0 (4) circuit connector housing with 4 X Molex P/N: 43030-0001 Female terminal or Equal with overmold, Ferrite: Core Size: 14.2*28.5*8.2, GlobTek Black, GT Cord # C38898, Pin Out: Pins 1 and 3: +V Pins 2 and 4: DC Com & GND, Blades/Input Cord: (Order Separately), Approvals: CB 60335; Fuse 60335; cULus (5V only); 230V CoC Tier 2; ETL; CB 62368; South Africa; cETLus 60601-1; UKCA; UL 1310; Morocco; Korea (21.0V-28.0V Only); NOM (12V only); ETL 62368; IRAM; Taiwan BSMI (24V only); CB 60950; CE; China RoHS; Class I; FCC; IRAM;PSE; PSE; PSE; Level VI; NrCAN (5V only); RoHS; S-Mark 60950; Ukraine; VCCI; WEEE; ETL 60950; RCM; CCC; CB 60601-1; S-Mark IEC/EN 60601-1; EAC; ETL; LPS 60950;	
	Model No. GTM96600-6024-T3A	
	Part No./Ordering No. RR9LI2500ML4CIMR6B	Rev A

OUTPUT CONNECTOR HOOK UP

TO ADDRESS SYSTEM-LEVEL EMI CONCERNS, FERRITE CHOKES/BEADS MAY BE ADDED/REVISED UPON REQUEST. A SAMPLE KIT OF GLOBTEK'S STANDARD FERRITES IS AVAILABLE UNDER GLOBTEK P/N: EMI-MITIGATION-KIT1

FOR ADDITIONAL INFORMATION, PLEASE READ OUR WHITE PAPER AT:

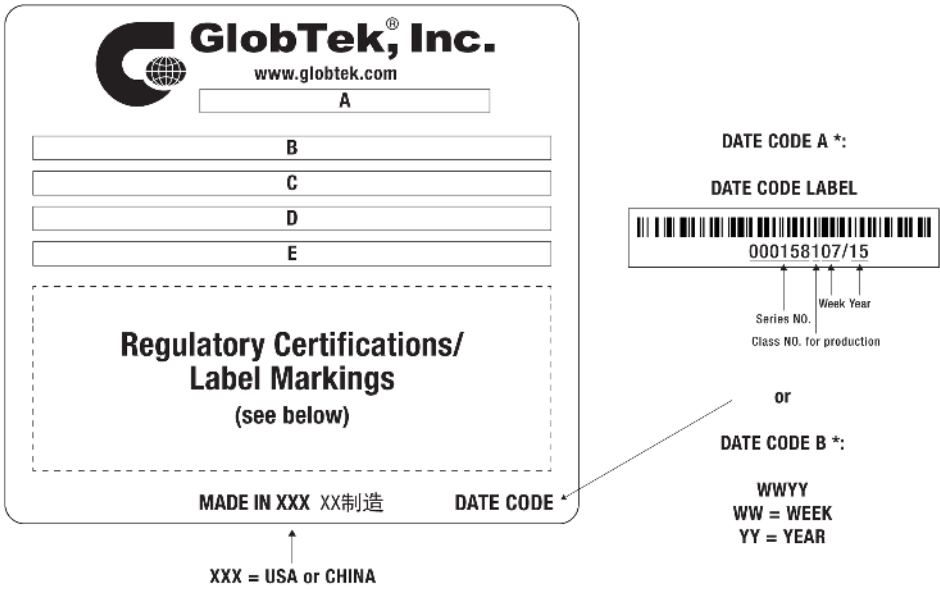
<https://en.globtek.com/technical-articles/ferrite-kit-radiated-emi-suppression-kit-for-globtek-power-supplies-cable-assemblies>

GlobTek, Inc. www.globtek.com 186 Veterans Drive, Northvale, NJ 07647 Tel. (201) 784-1000 Fax (201) 784-0111	Drawing Title: GTM96600-6024-T3A, ICT / ITE / Medical Power Supply/Class 2/Household Power Supply, Efficiency Level: USA DOE Level VI / Eco-design Directive 2009/125/EC, (EU) 2019/1782, Case Color/Style: GlobTek Black, Desktop/External, Regulated Switchmode AC-DC Power Supply AC Adaptor, Input Rating: 100-240V~, 50-60Hz, IEC 60320/C6 , Output Rating: 60W, 24.0V@2.7A, Output Configuration: 127 mm, 20/2 Cond, UL 2464, MOLEX P/N:43025-0400 Micro-fit 3.0 (4) circuit connector housing with 4 X Molex P/N: 43030-0001 Female terminal or Equal with overmold, Ferrite: Core Size: 14.2*28.5*8.2, GlobTek Black, GT Cord # C38898, Pin Out: Pins 1 and 3: +V Pins 2 and 4: DC Com & GND, Blades/Input Cord: (Order Separately), Approvals: CB 60335; Fuse 60335; cULus (5V only); 230V CoC Tier 2; ETL; CB 62368; South Africa; cETLus 60601-1; UKCA; UL 1310; Morocco; Korea (21.0V-28.0V Only); NOM (12V only); ETL 62368; IRAM; Taiwan BSMI (24V only); CB 60950; CE; China RoHS; Class I; FCC; IRAM;PSE; PSE; PSE; Level VI; NrCAN (5V only); RoHS; S-Mark 60950; Ukraine; VCCI; WEEE; ETL 60950; RCM; CCC; CB 60601-1; S-Mark IEC/EN 60601-1; EAC; ETL; LPS 60950;
	Model No. GTM96600-6024-T3A
	Part No./Ordering No. RR9LI2500ML4CIMR6B Rev A

LABEL:L-1186

LABEL P/N	Standard GT
MATERIAL	Flat Thermal Transfer, Imprintable, Polyester Label and/or Pad Printed and/or Molded, and/or Laser Engraved in the case
BACKGROUND COLOR	Black if housing is Black, White or Silver if housing is White or Gray.
TEXT COLOR	White or Silver if label is Black Background for Black housing. Black if label is White or Silver background and Housing is White or Gray.
LABEL WIDTH (mm)	35.0
LABEL HEIGHT (mm)	70.0
SPECIAL BARCODE LABEL MATERIAL	No

Below is the minimum information which will appear on the label. NOTE: in the logo area additional/actual positioning of symbols and text is subjected to change as per agency updates/requirements or additional model approvals become available.
 Regulatory certifications/label markings may be in logo area on the label or molded into the case housing outside the label area.
 Information will be shown via label and/or pad printed and/or molded and/or laser engraved in the case. * Date code markings at GlobTek option



A=ICT / ITE / Medical Power Supply/Class 2/Household Power Supply
 B=P/N: (料号) RR9LI2500ML4CIMR6B
 C=Model (型号) GTM96600-6024-T3A
 D=Input (输入)100-240V~, 50-60Hz, 1.5A
 E=Output (输出)24.0 V 2.7 A, 60.00W

GloTek, Inc. www.globtek.com 186 Veterans Drive, Northvale, NJ 07647 Tel. (201) 784-1000 Fax (201) 784-0111	Drawing Title: GTM96600-6024-T3A, ICT / ITE / Medical Power Supply/Class 2/Household Power Supply, Efficiency Level: USA DOE Level VI / Eco-design Directive 2009/125/EC, (EU) 2019/1782, Case Color/Style: GlobTek Black, Desktop/External, Regulated Switchmode AC-DC Power Supply AC Adaptor, Input Rating: 100-240V~, 50-60Hz, IEC 60320/C6 , Output Rating: 60W, 24.0V@2.7A, Output Configuration: 127 mm, 20/2 Cond, UL 2464, MOLEX P/N:43025-0400 Micro-fit 3.0 (4) circuit connector housing with 4 X Molex P/N: 43030-0001 Female terminal or Equal with overmold, Ferrite: Core Size: 14.2*28.5*8.2, GlobTek Black, GT Cord # C38898, Pin Out: Pins 1 and 3: +V Pins 2 and 4: DC Com & GND, Blades/Input Cord: (Order Separately), Approvals: CB 60335; Fuse 60335; cULus (5V only); 230V CoC Tier 2; ETL; CB 62368; South Africa; cETLus 60601-1; UKCA; UL 1310; Morocco; Korea (21.0V-28.0V Only); NOM (12V only); ETL 62368; IRAM; Taiwan BSMI (24V only); CB 60950; CE; China RoHS; Class I; FCC; IRAM;PSE; PSE; Level VI; NrCAN (5V only); RoHS; S-Mark 60950; Ukraine; VCCI; WEEE; ETL 60950; RCM; CCC; CB 60601-1; S-Mark IEC/EN 60601-1; EAC; ETL; LPS 60950;	
	Model No. GTM96600-6024-T3A	
	Part No./Ordering No. RR9LI2500ML4CIMR6B	Rev A

AGENCY ONLINE DOCUMENTS	http://www.globtek.info/certs/GTM96600-TZ/
CE EC-Declaration for Medical	http://globtek.force.com/models/ec_declaration_product?id=01t0c0000097GUz&m=1
CE EC-Declaration for Industrial/Commercial/ITE	http://globtek.force.com/models/ec_declaration_product?id=01t0c0000097GUz&i=5
CE EC-Declaration for Household	http://globtek.force.com/models/ec_declaration_product?id=01t0c0000097GUz&h=2
UKCA-Declaration for Medical	http://globtek.force.com/models/ukca_declaration_product?id=01t0c0000097GUz&m=1
UKCA-Declaration for Industrial/Commercial/ITE	http://globtek.force.com/models/ukca_declaration_product?id=01t0c0000097GUz&i=5
UKCA-Declaration for Household	http://globtek.force.com/models/ukca_declaration_product?id=01t0c0000097GUz&h=2
Morocco SDoC Declaration	https://globtek.secure.force.com/models/Morocco_SDoC_Declaration?id=a0Oa000000FjgStEAJ
RoHS/RoHS3 Declaration	https://www.globtek.com/pdf/rohs_cert/01t0c0000097GUzAAM
REACH Declaration	https://www.globtek.com/pdf/iso_certificates/REACH.pdf
Conflict Minerals Declaration	https://www.globtek.com/pdf/conflict-minerals.pdf
Prop 65 Statement	https://en.globtek.com/prop-65-statement.pdf
IPXY rating is based on 3rd party testing and customers should check suitability and test system level IPXY rating before ordering.	

Regulatory Certifications/Label Markings

Below follows a link to the latest regulatory certifications and marks for this specific product. National standards as well as certification schemes are constantly changing and so is the set of certification marks and symbols applicable to this product. Various standards, marks and symbols, and certificates are subject to change at any time without notice.

Additional standards or unique country certifications are available upon request. Please contact Globtek to request a quotation.

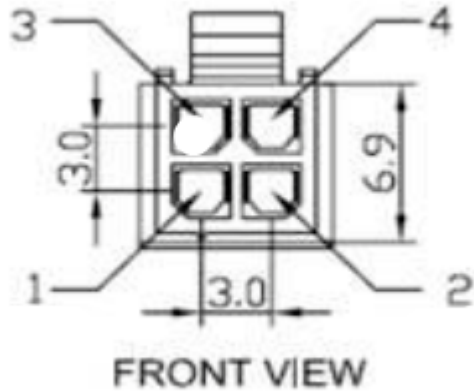
LATEST PRODUCT/MODEL CERTIFICATIONS: <https://www.globtek.com/datasheet/w70821>

AGENCY ONLINE DOCUMENTS <http://www.globtek.info/certs/GTM96600-TZ/>



(E1) Earthed output

<p>GlobTek, Inc. www.globtek.com 186 Veterans Drive, Northvale, NJ 07647 Tel. (201) 784-1000 Fax (201) 784-0111</p>	<p>Drawing Title: GTM96600-6024-T3A, ICT / ITE / Medical Power Supply/Class 2/Household Power Supply, Efficiency Level: USA DOE Level VI / Eco-design Directive 2009/125/EC, (EU) 2019/1782, Case Color/Style: GlobTek Black, Desktop/External, Regulated Switchmode AC-DC Power Supply AC Adaptor, Input Rating: 100-240V~, 50-60Hz, IEC 60320/C6 , Output Rating: 60W, 24.0V@2.7A, Output Configuration: 127 mm , 20/2 Cond, UL 2464, MOLEX P/N:43025-0400 Micro-fit 3.0 (4) circuit connector housing with 4 X Molex P/N: 43030-0001 Female terminal or Equal with overmold, Ferrite: Core Size: 14.2*28.5*8.2, GlobTek Black, GT Cord # C38898, Pin Out: Pins 1 and 3: +V Pins 2 and 4: DC Com & GND, Blades/Input Cord: (Order Separately), Approvals: CB 60335; Fuse 60335; cULus (5V only); 230V CoC Tier 2; ETL; CB 62368; South Africa; cETLus 60601-1; UKCA; UL 1310; Morocco; Korea (21.0V-28.0V Only); NOM (12V only); ETL 62368; IRAM; Taiwan BSMI (24V only); CB 60950; CE; China RoHS; Class I; FCC; IRAM;PSE; PSE; PSE; Level VI; NrCAN (5V only); RoHS; S-Mark 60950; Ukraine; VCCI; WEEE; ETL 60950; RCM; CCC; CB 60601-1; S-Mark IEC/EN 60601-1; EAC; ETL; LPS 60950;</p>	
	<p>Model No. GTM96600-6024-T3A</p>	
	<p>Part No./Ordering No. RR9LI2500ML4CIMR6B</p>	<p>Rev A</p>



Pins 1 and 3: +V
Pins 2 and 4: DC Com & GND

Pins 1 and 3: +V
Pins 2 and 4: DC COM + GND

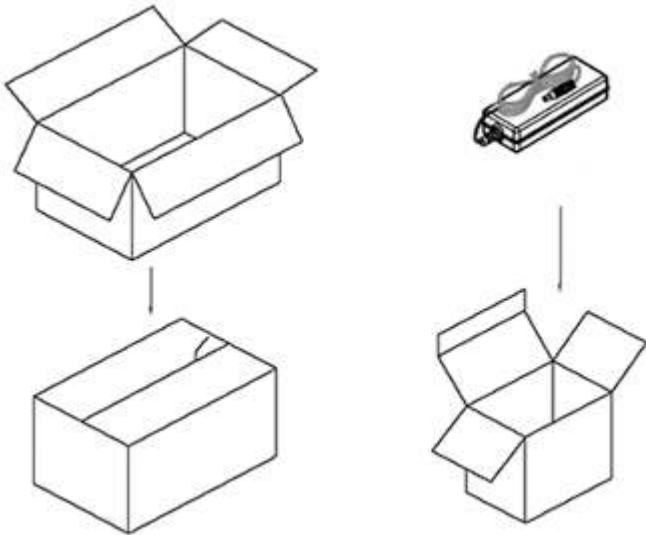
GlobTek, Inc. www.globtek.com 186 Veterans Drive, Northvale, NJ 07647 Tel. (201) 784-1000 Fax (201) 784-0111	Drawing Title: GTM96600-6024-T3A, ICT / ITE / Medical Power Supply/Class 2/Household Power Supply, Efficiency Level: USA DOE Level VI / Eco-design Directive 2009/125/EC, (EU) 2019/1782, Case Color/Style: GlobTek Black, Desktop/External, Regulated Switchmode AC-DC Power Supply AC Adaptor, Input Rating: 100-240V~, 50-60Hz, IEC 60320/C6 , Output Rating: 60W, 24.0V@2.7A, Output Configuration: 127 mm , 20/2 Cond, UL 2464, MOLEX P/N:43025-0400 Micro-fit 3.0 (4) circuit connector housing with 4 X Molex P/N: 43030-0001 Female terminal or Equal with overmold, Ferrite: Core Size: 14.2*28.5*8.2, GlobTek Black, GT Cord # C38898, Pin Out: Pins 1 and 3: +V Pins 2 and 4: DC Com & GND, Blades/Input Cord: (Order Separately), Approvals: CB 60335; Fuse 60335; cULus (5V only); 230V CoC Tier 2; ETL; CB 62368; South Africa; cETLus 60601-1; UKCA; UL 1310; Morocco; Korea (21.0V-28.0V Only); NOM (12V only); ETL 62368; IRAM; Taiwan BSMI (24V only); CB 60950; CE; China RoHS; Class I; FCC; IRAM;PSE; PSE; Level VI; NrcAN (5V only); RoHS; S-Mark 60950; Ukraine; VCCE; WEEE; ETL 60950; RCM; CCC; CB 60601-1; S-Mark IEC/EN 60601-1; EAC; ETL; LPS 60950;	
	Model No. GTM96600-6024-T3A	
	Part No./Ordering No. RR9LI2500ML4CIMR6B	Rev A

PACKAGING

Packing Spec P/N	Standard DT, Individually Box
Box Qty	60
Gift Box Size (mm)	NA
Gift Box Color	White
Master Carton Size (mm)	427 x 405 x 158
Master Carton Cubic Volume (m³)	0.03
Master GW (Kg)	15.6 kg
BLADES INCLUDED	None: (Order Separately)
BLADE/CORD INSTALLED	None: (Order Separately)
USER MANUAL*	
USER MANUAL WEB LINK	

* This specification sheet is considered the user manual for all applications. It is expected that the buyer of this product will use it to formulate their own user manual for their end product and a user manual specifically for the power adapter is not usually required. If a user manual is not specifically listed above then none will be provided with this unit.

If specific packaging is required, this section must specify all requirements and note "no exceptions". If this section does not specify packaging, it is subject to change without notice at GlobTek's discretion



GloTek, Inc. www.globtek.com 186 Veterans Drive, Northvale, NJ 07647 Tel. (201) 784-1000 Fax (201) 784-0111	Drawing Title: GTM96600-6024-T3A, ICT / ITE / Medical Power Supply/Class 2/Household Power Supply, Efficiency Level: USA DOE Level VI / Eco-design Directive 2009/125/EC, (EU) 2019/1782, Case Color/Style: GlobTek Black, Desktop/External, Regulated Switchmode AC-DC Power Supply AC Adaptor, Input Rating: 100-240V~, 50-60Hz, IEC 60320/C6 , Output Rating: 60W, 24.0V@2.7A, Output Configuration: 127 mm, 20/2 Cond, UL 2464, MOLEX P/N:43025-0400 Micro-fit 3.0 (4) circuit connector housing with 4 X Molex P/N: 43030-0001 Female terminal or Equal with overmold, Ferrite: Core Size: 14.2*28.5*8.2, GlobTek Black, GT Cord # C38898, Pin Out: Pins 1 and 3: +V Pins 2 and 4: DC Com & GND, Blades/Input Cord: (Order Separately), Approvals: CB 60335; Fuse 60335; cULus (5V only); 230V CoC Tier 2; ETL; CB 62368; South Africa; cETLus 60601-1; UKCA; UL 1310; Morocco; Korea (21.0V-28.0V Only); NOM (12V only); ETL 62368; IRAM; Taiwan BSMI (24V only); CB 60950; CE; China RoHS; Class I; FCC; IRAM;PSE; PSE; PSE; Level VI; NrCAN (5V only); RoHS; S-Mark 60950; Ukraine; VCCI; WEEE; ETL 60950; RCM; CCC; CB 60601-1; S-Mark IEC/EN 60601-1; EAC; ETL; LPS 60950;	
	Model No. GTM96600-6024-T3A	
	Part No./Ordering No. RR9LI2500ML4CIMR6B	Rev A

INSTRUCTIONS TO THE OEM SYSTEMS ENGINEER

It is the responsibility of the OEM systems engineer to provide the end system user instructions and warnings for the use of this product in the end system.

If an input cord is required for this product, AC Mains voltage should be provided to the power supply by a power supply cord approved to the national standards of the country in which it will be used.

This product is not designed to be repaired. No serviceable parts inside. A blown internal fuse is an indication of catastrophic failure of circuit component(s). If a Failure Analysis is required for a failed power supply/battery charger, please return the damaged unit to GlobTek for an accurate determination of the root cause of the failure.

EMC Compliance of the complete OEM product, including the GlobTek power supply/battery charger needs to be verified by the OEM systems engineer.

INSTRUCTION SHEET

N/A

GloTek, Inc. www.globtek.com 186 Veterans Drive, Northvale, NJ 07647 Tel. (201) 784-1000 Fax (201) 784-0111	Drawing Title: GTM96600-6024-T3A, ICT / ITE / Medical Power Supply/Class 2/Household Power Supply, Efficiency Level: USA DOE Level VI / Eco-design Directive 2009/125/EC, (EU) 2019/1782, Case Color/Style: GlobTek Black, Desktop/External, Regulated Switchmode AC-DC Power Supply AC Adaptor, Input Rating: 100-240V~, 50-60Hz, IEC 60320/C6 , Output Rating: 60W, 24.0V@2.7A, Output Configuration: 127 mm, 20/2 Cond, UL 2464, MOLEX P/N:43025-0400 Micro-fit 3.0 (4) circuit connector housing with 4 X Molex P/N: 43030-0001 Female terminal or Equal with overmold, Ferrite: Core Size: 14.2*28.5*8.2, GlobTek Black, GT Cord # C38898, Pin Out: Pins 1 and 3: +V Pins 2 and 4: DC Com & GND, Blades/Input Cord: (Order Separately), Approvals: CB 60335; Fuse 60335; cULus (5V only); 230V CoC Tier 2; ETL; CB 62368; South Africa; cETLus 60601-1; UKCA; UL 1310; Morocco; Korea (21.0V-28.0V Only); NOM (12V only); ETL 62368; IRAM; Taiwan BSMI (24V only); CB 60950; CE; China RoHS; Class I; FCC; IRAM;PSE; PSE; PSE; Level VI; NrCAN (5V only); RoHS; S-Mark 60950; Ukraine; VCCI; WEEE; ETL 60950; RCM; CCC; CB 60601-1; S-Mark IEC/EN 60601-1; EAC; ETL; LPS 60950;	
	Model No. GTM96600-6024-T3A	
	Part No./Ordering No. RR9LI2500ML4CIMR6B	Rev A

