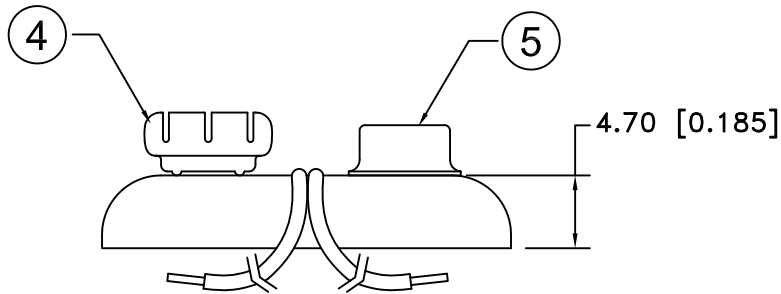
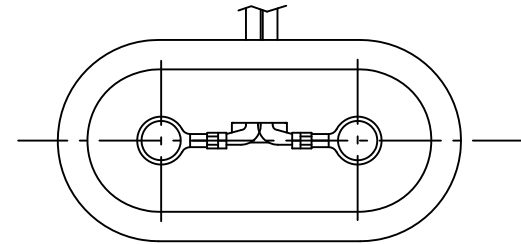
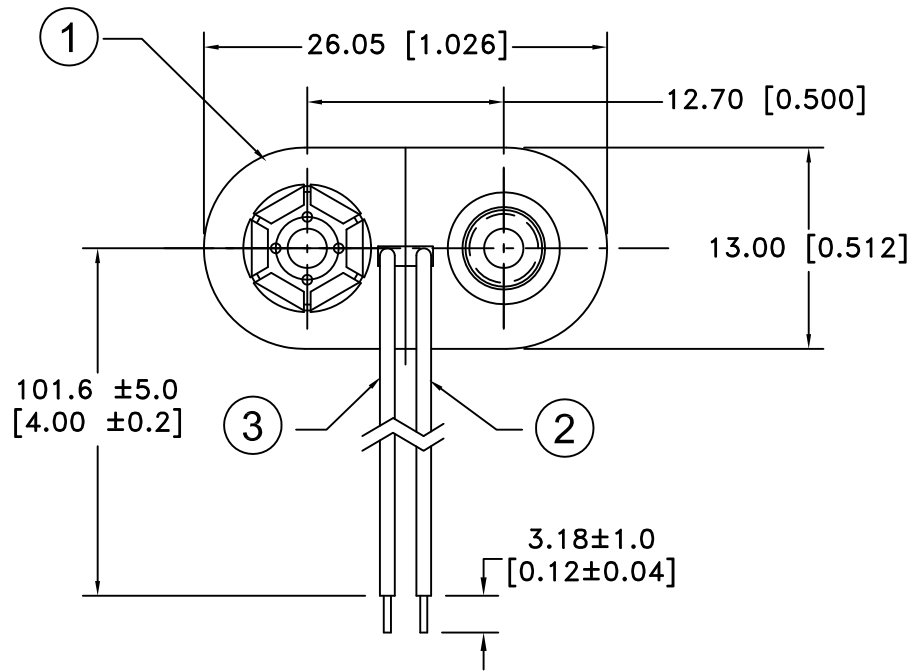


Date	SYM	REVISION RECORD	AUTH	DR.	CK.
10/03/14	A	UPDATED TO ROHS 2 COMPLIANT	T.B.	B.S.	



**NOTES:**

1. T STYLE 2 PCS. MOLDED CASE CONSTRUCTION WITH CRIMP CONNECTIONS. CRIMP ON WIRE INSULATION AND ON WIRE PROVIDES STRAIN RELIEF THAT STANDARD SOLDERED SNAPS DO NOT HAVE.

ROHS 2 COMPLIANT

N0.	PART NAME	MATERIAL	QTY.	Tolerance (Except as noted)	MPD Memory Protection Devices, Inc 200 Broad Hollow Road, Farmingdale, New York 11735		
1	MOLDED CASE	2 PCS., POLYETHYLENE, WHITE WITH BLUE INSERT	1	decimal ±.5 (.020)	Scale	Drawn By B.S.	
2	BLACK WIRE(-)	24 AWG OR 26 AWG, UL-1007, CSA TR-64, 300V, 80°C	1			Approved By T.B.	
3	RED WIRE (+)	24 AWG OR 26 AWG, UL-1007, CSA TR-64, 300V, 80°C	1	Fractional ± .8 (.030)	Title 9 VOLT BATTERY SNAP-T STYLE-4" WIRE LEADS, MOLDED CASE		
4	FEMALE SNAP	BRASS, NICKLE PLATED	1		Date	Drawing Number	
5	MALE SNAP	BRASS NICKLE PLATED	1		10/03/14	BS4T-MC	
				Angular ± 3°			