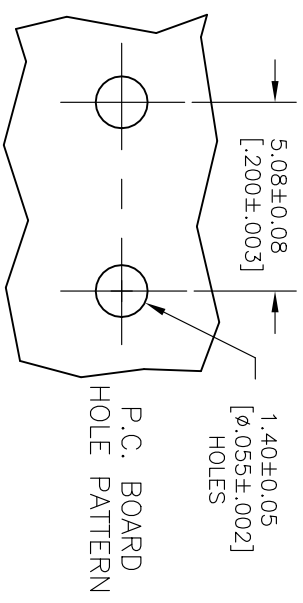
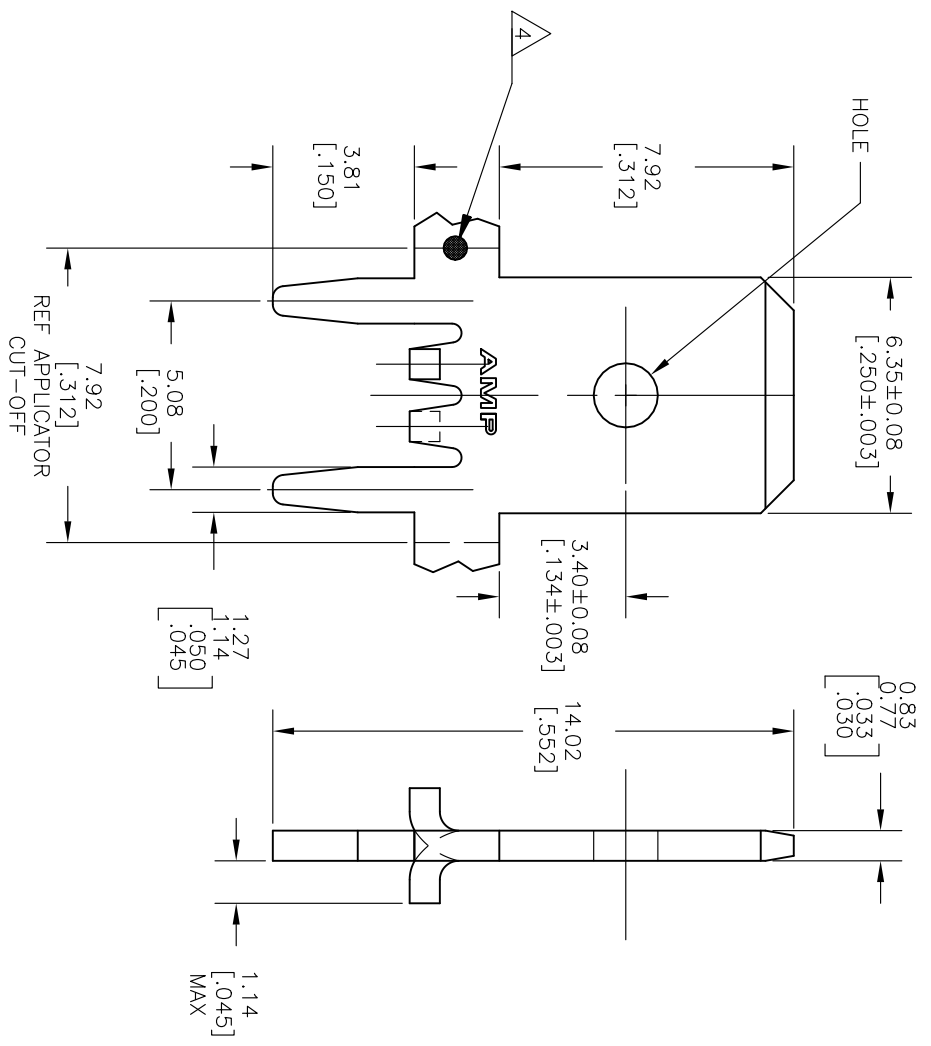


REVISIONS			
P	LR	DESCRIPTION	DATE
S		REVISED PER ECO--18-018731	30NOV2018
			RS
			LB



- 1 CONTINUOUS STRIP ON REELS.
- 2 TIN PLATE 0.00381 [.000150] MIN OVER 0.00254 [.000100] MIN THK COPPER OR TIN PLATE 0.00381 [.000150] MIN OVER 0.00127 [.000050] MIN THK NICKEL.
- 3 REELED WITH INTERLEAVING PAPER
- 4 OPTIONAL ID MARK, LOCATED APPROX AS SHOWN.
- 5 PRELIMINARY - NOT FOR PRODUCTION
- 6 PREPRODUCTION - FASR REQUIRED

STANDARD	BRASS, SPECIAL HARD	63824-8
3 STANDARD	BRASS	63824-5
REVERSE	BRASS	63824-3
STANDARD	BRASS	63824-2
STANDARD	BRASS	63824-1
REELING	MATERIAL	PART NO.

THIS DRAWING IS A CONTROLLED DOCUMENT.			
DIMENSIONS: INCHES	TOLERANCES UNLESS OTHERWISE SPECIFIED:	DRN	20FEB01
0 P/C ±	±	CHK	RUTH
1 P/C ±	±	APP	MS FEHER
2 P/C ±	± 0.28 [.010]	DES	N DELBERT
3 P/C ±	±	PRO	PRODUCT SPEC
4 P/C ±	±	APP	APPLICATION SPEC
FINISH	±	WEI	114-2115
	±	WGT	0.000000
MATERIAL	SEE TABLE	CUS	CUSTOMER DRAWING
		SIZE	A3
		CAGE CODE	00779
		DRAWING NO	63824
		RESTRICTED TO	

STE TE Connectivity

TAB, FASTON, P.C. BOARD
 6.35 [.250]

SCALE 8:1 SHEET 1 OF 1 REV S