

280592 ✓ ACTIVE

AMPMODU | AMPMODU MOD 1

TE Internal #: 280592

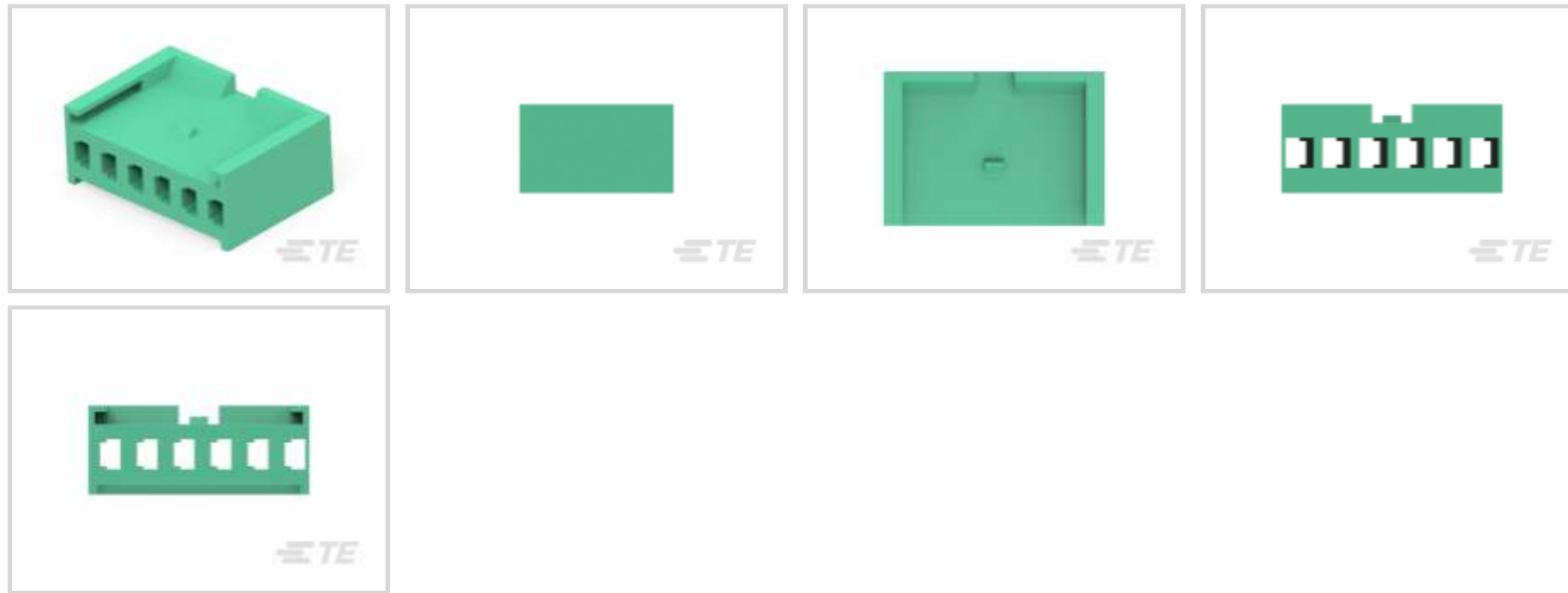
Housing, Receptacle, 6 Position, .156 in [3.96 mm] Centerline, 1

Row, Green, Signal, -40 – 105 °C, AMPMODU MOD 1

[View on TE.com >](#)



Connectors > PCB Connectors > Wire-to-Board Connectors > Wire-to-Board Connector Assemblies & Housings



Connector Product Type: **Housing**

Connector & Housing Type: **Receptacle**

Number of Positions: **6**

Centerline (Pitch): **3.96 mm [.156 in]**

Number of Rows: **1**

Features

Product Type Features

Connector Product Type	Housing
Connector & Housing Type	Receptacle

Configuration Features

Number of Positions	6
Number of Rows	1

Body Features

Connector Profile	Standard
Primary Product Color	Green

Contact Features

Contact Type	Socket
--------------	--------

Housing Features

Housing Material	Polycarbonate GFF
Centerline (Pitch)	3.96 mm [.156 in]

Usage Conditions



Operating Temperature Range	-40 – 105 °C
-----------------------------	--------------

Operation/Application

Circuit Application	Signal
---------------------	--------

Industry Standards

UL Flammability Rating	UL 94V-1
------------------------	----------

Product Compliance

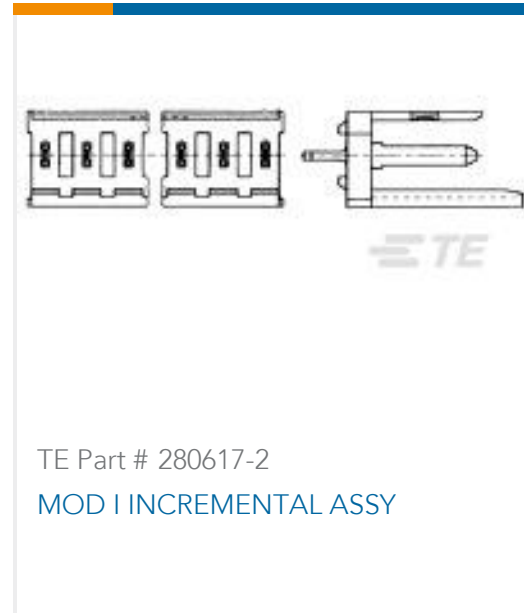
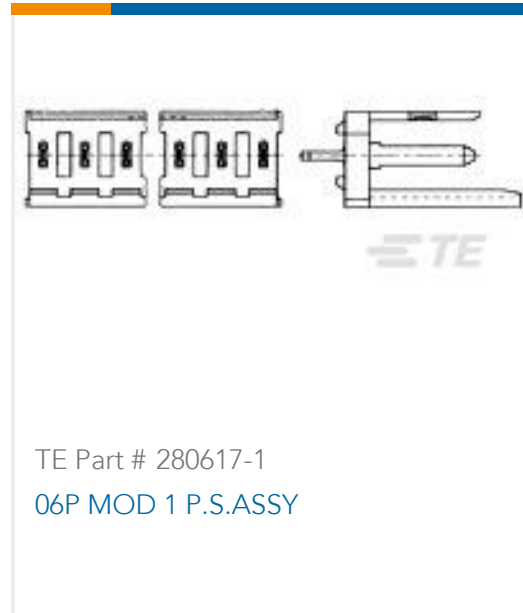
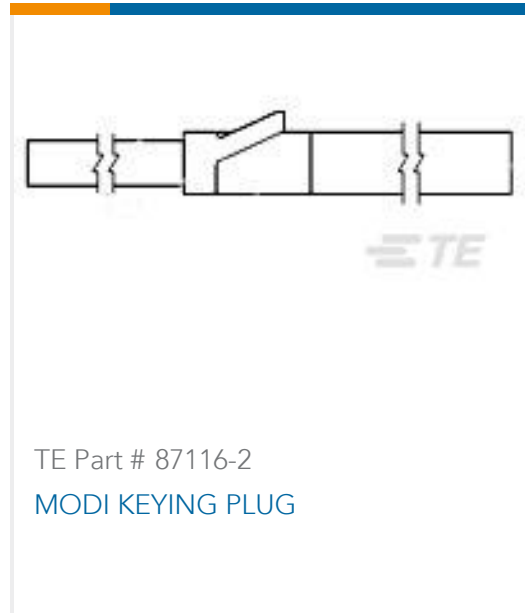
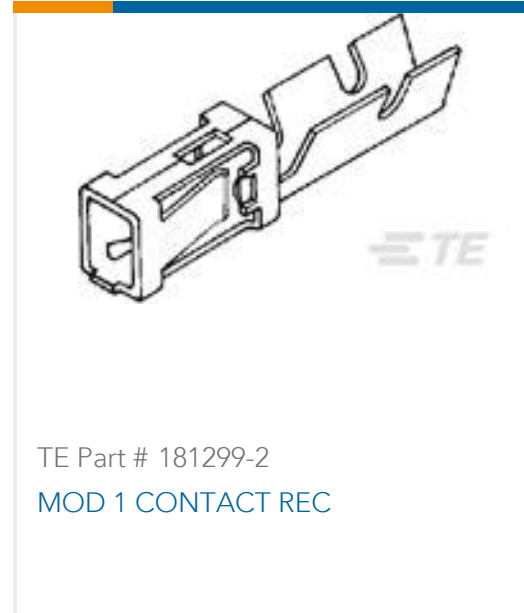
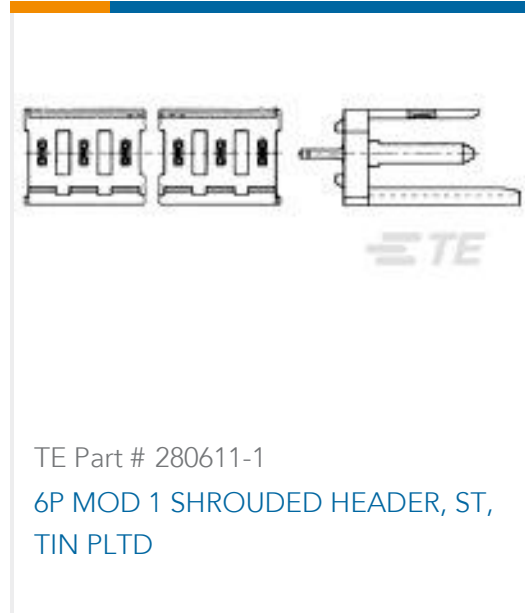
[For compliance documentation, visit the product page on TE.com>](#)

EU RoHS Directive 2011/65/EU	Compliant
EU ELV Directive 2000/53/EC	Compliant
China RoHS 2 Directive MIIT Order No 32, 2016	No Restricted Materials Above Threshold
EU REACH Regulation (EC) No. 1907/2006	Current ECHA Candidate List: JUNE 2023 (235) Candidate List Declared Against: JAN 2023 (233) Does not contain REACH SVHC
Halogen Content	Low Halogen - Br, Cl, F, I < 900 ppm per homogenous material. Also BFR/CFR/PVC Free
Solder Process Capability	Not applicable for solder process capability

Product Compliance Disclaimer

This information is provided based on reasonable inquiry of our suppliers and represents our current actual knowledge based on the information they provided. This information is subject to change. The part numbers that TE has identified as EU RoHS compliant have a maximum concentration of 0.1% by weight in homogenous materials for lead, hexavalent chromium, mercury, PBB, PBDE, DBP, BBP, DEHP, DIBP, and 0.01% for cadmium, or qualify for an exemption to these limits as defined in the Annexes of Directive 2011/65/EU (RoHS2). Finished electrical and electronic equipment products will be CE marked as required by Directive 2011/65/EU. Components may not be CE marked. Additionally, the part numbers that TE has identified as EU ELV compliant have a maximum concentration of 0.1% by weight in homogenous materials for lead, hexavalent chromium, and mercury, and 0.01% for cadmium, or qualify for an exemption to these limits as defined in the Annexes of Directive 2000/53/EC (ELV). Regarding the REACH Regulation, the information TE provides on SVHC in articles for this part number is based on the latest European Chemicals Agency (ECHA) 'Guidance on requirements for substances in articles' posted at this URL: <https://echa.europa.eu/guidance-documents/guidance-on-reach>

Compatible Parts



Also in the Series | **AMPMODU MOD 1**



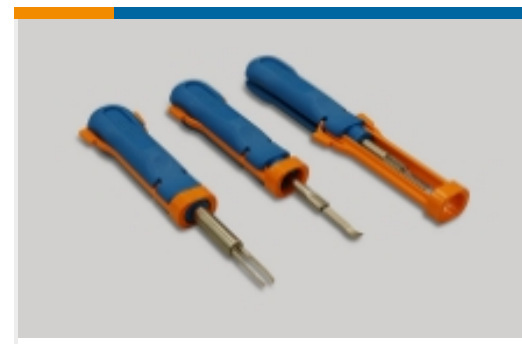
Automotive Terminals(6)



Board-to-Board Connector Contacts (107)



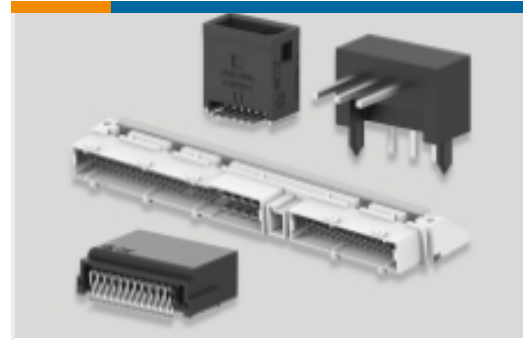
Board-to-Board Jumpers & Shunts(5)



Insertion & Extraction Tools(1)



PCB Connector Keying(2)



PCB Headers & Receptacles(371)

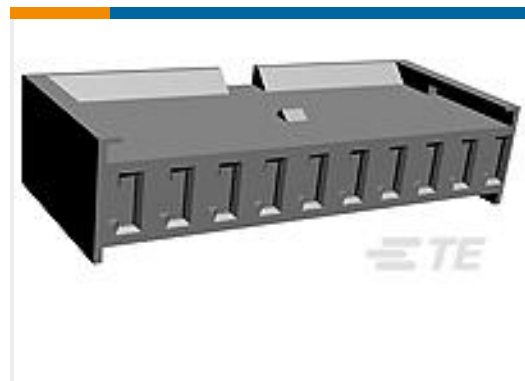


Wire-to-Board Connector Assemblies & Housings(44)



Wire-to-Board Connector Contacts(2)

Customers Also Bought



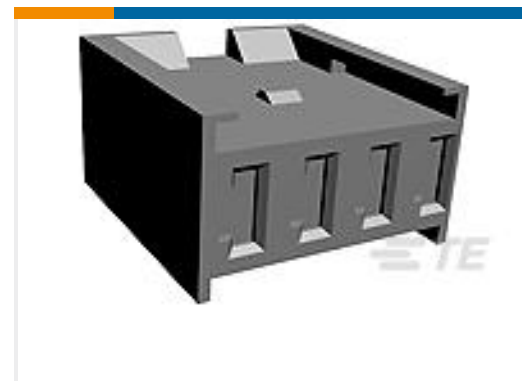
TE Part #280594
AMP MODU MOD I RECEPT HSG



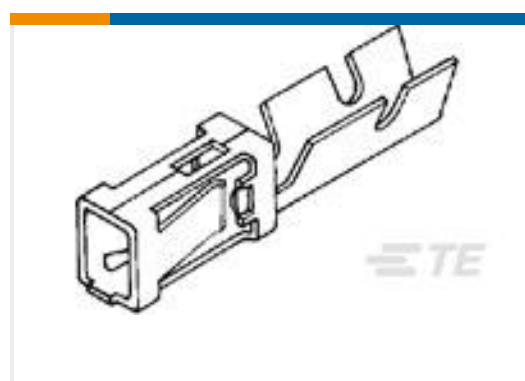
TE Part #2071366-1
EW60-1A3-BL12D04,00000



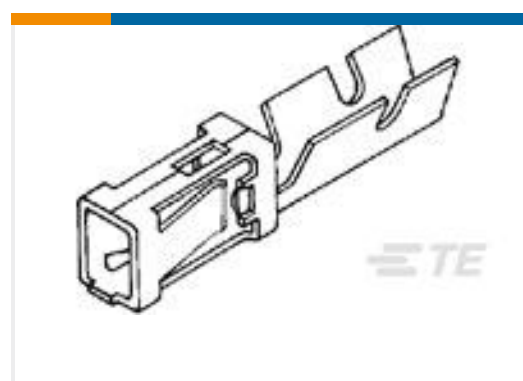
TE Part #280361
AMPMODU II REC. HSG, SINGLE ROW 8 POS



TE Part #280591
AMPMODU MODU I REC HOUSING ROW 8 POS



TE Part #280621-2
MOD I CONT STRIP



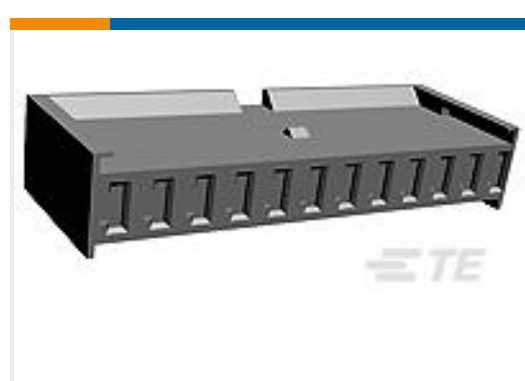
TE Part #281423-1
MODU I REC.



TE Part #284944-1
4 POS. MALE MODULE ASSEMBLY



TE Part #5053324010
RNF-100-1-6-SP



TE Part #280595
AMP MODU MOD I RECEPT HSG



TE Part #7-962885-5
MQS0,63 Au rec LL EDS 0,2-0,35

Documents



Product Drawings

AMPMODU I RECEPTACLE HOUSING.

English

CAD Files

3D PDF

English

Customer View Model

[ENG_CVM_280592_G.3d_igs.zip](#)

English

Customer View Model

[ENG_CVM_280592_G.3d_stp.zip](#)

English

Customer View Model

[ENG_CVM_280592_G.2d_dxf.zip](#)

English

By downloading the CAD file I accept and agree to the [Terms and Conditions](#) of use.

Product Specifications

Product Specification

English

Product Environmental Compliance

[MD_280592_1113201588_dmttec](#)

English

[MD_280592_1113201588_dmttec](#)

English

Agency Approvals

UL Report

English