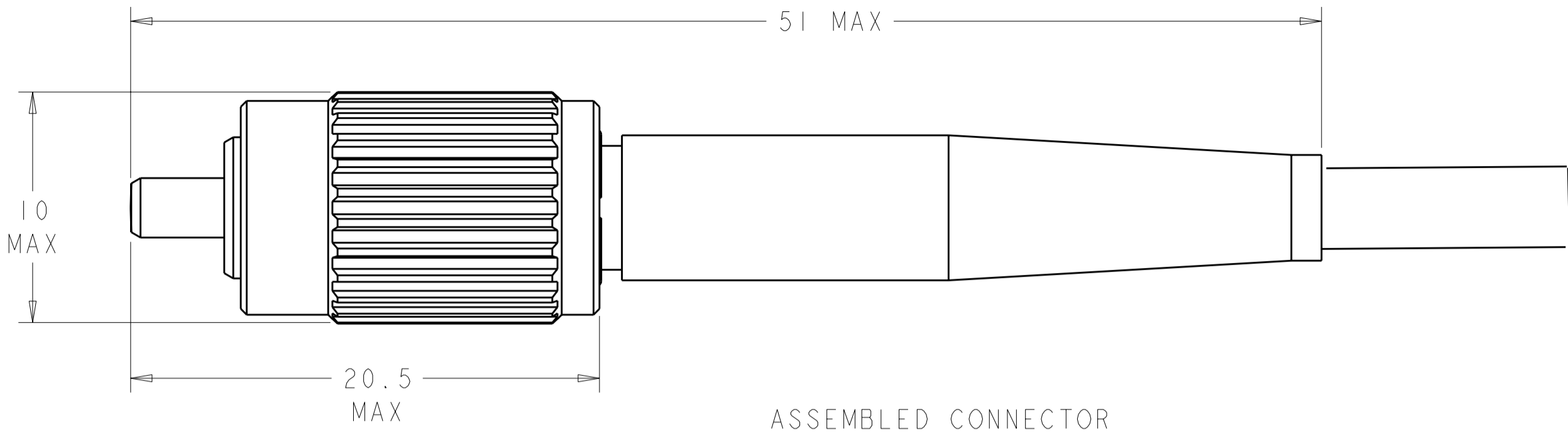


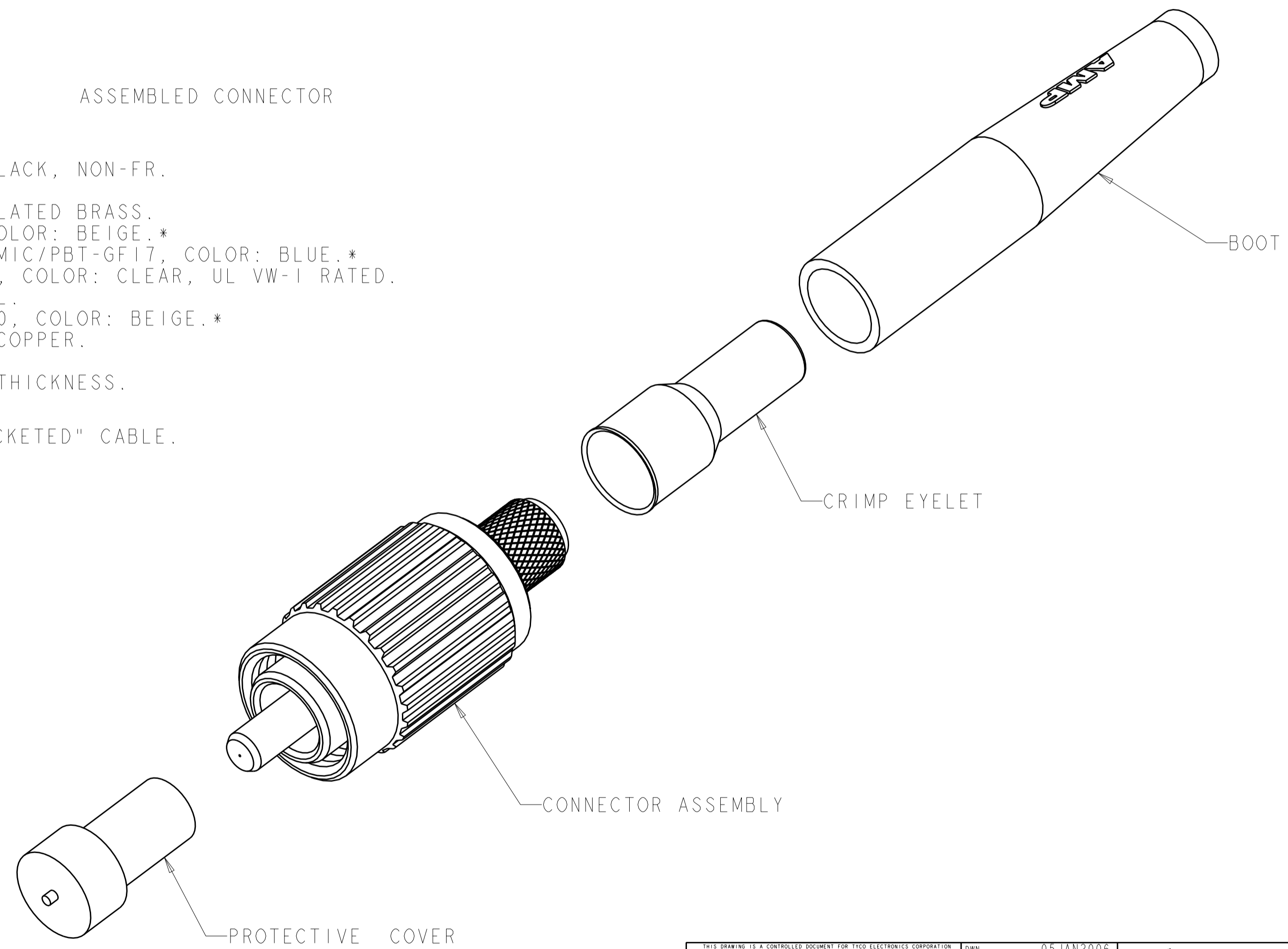
THIS DRAWING IS UNPUBLISHED. RELEASED FOR PUBLICATION 20  
 © COPYRIGHT 20 BY TYCO ELECTRONICS CORPORATION. ALL RIGHTS RESERVED.

LOC	DIST	REVISIONS			
P	LTR	DESCRIPTION	DATE	DWN	APVD
CE	00	A	RELEASE TO ACTIVE	07JUN2006	BB SM



- 1 MATERIAL:
- PROTECTIVE COVER: LDPE, BLACK, NON-FR.
  - CONNECTOR SUB-ASSEMBLY:
  - COUPLING NUT: NICKEL PLATED BRASS.
  - PLUG BODY: PPS-GF40, COLOR: BEIGE.\*
  - FERRULE ASSEMBLY: CERAMIC/PBT-GF17, COLOR: BLUE.\*
  - EPOXY-FILL TUBING: PVC, COLOR: CLEAR, UL VW-1 RATED.
  - SPRING: STAINLESS STEEL.
  - RETAINER BODY: PES-GF20, COLOR: BEIGE.\*
  - CRIMP EYELET: TIN PLATED COPPER.
  - BOOT: TPE, COLOR: BLUE.\*
- \*UL94 V-0 RATED AT QUALIFYING THICKNESS.

2. TO BE USED WITH 2.0mm "LOOSE JACKETED" CABLE.



5504915-2  
 PART NUMBER

<small>THIS DRAWING IS A CONTROLLED DOCUMENT FOR TYCO ELECTRONICS CORPORATION. IT IS SUBJECT TO CHANGE AND THE CONTROLLING ENGINEERING ORGANIZATION SHOULD BE CONTACTED FOR THE LATEST REVISION.</small>		DWN B. BRIGGS 05JAN2006 CHK S. MILLER 05JAN2006 APVD S. BUCHTER 05JAN2006	<b>tyco</b> Electronics Tyco Electronics Harrisburg, PA 17105-3608
DIMENSIONS: mm 	TOLERANCES UNLESS OTHERWISE SPECIFIED: 0 PLC ± 1 PLC ± 2 PLC ± 3 PLC ± 4 PLC ± ANGLES ± FINISH	PRODUCT SPEC APPLICATION SPEC WEIGHT CUSTOMER DRAWING	NAME CONNECTOR KIT, SINGLEMODE, FC, ONE PIECE, 2.0mm SIZE CAGE CODE DRAWING NO RESTRICTED TO
MATERIAL 		A2 00779 C-5504915	SCALE 5:1 SHEET 1 OF 1 REV A