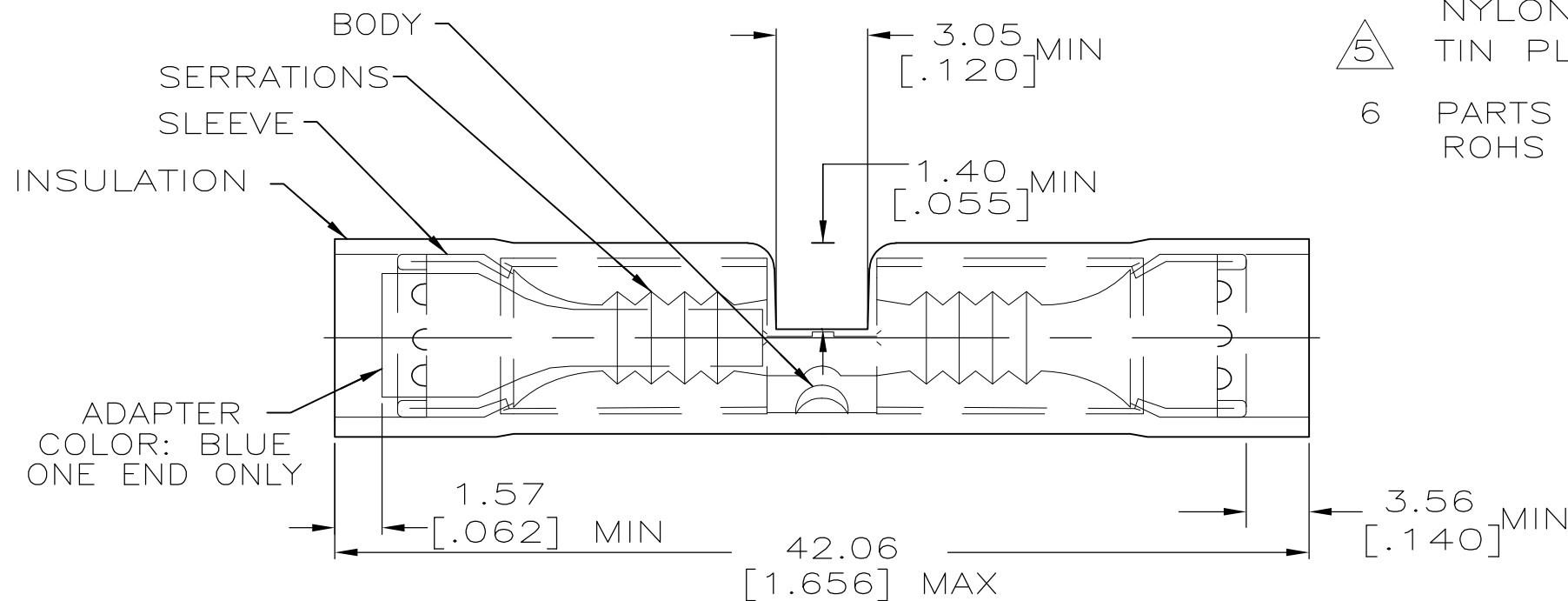


THIS DRAWING IS UNPUBLISHED. RELEASED FOR PUBLICATION
 © COPYRIGHT - By - ALL RIGHTS RESERVED.

LOC	DIST	REVISIONS					
		P	LTR	DESCRIPTION	DATE	DWN	APVD
G	14		L1	REVISED PER ECO-11-004917	11MAR11	RK	HMR

AMP WIRE RANGE	Listed FILE E13288	LR7189 Certified
12-10 TO 16-14 AWG STRANDED	12-10 TO 16-14 AWG STRANDED	12-10 TO 16-14 AWG STRANDED

1. WIRE INSULATION DIA 3.81[.150] TO 5.59[.220]
WIRE INSULATION DIA 2.67[.105] TO 4.32[.170]
2. TAPED PART LONG, CRIMP ONLY IN TAPETRONICS
3. TAPE APPLIED TO PART SUCH THAT ADAPTER END IS CRIMPED IN APPLICATOR.
4. COPPER PER ASTM B-152
NYLON, YELLOW
5. TIN PLATE PER ASTM B-545
6. PARTS MANUFACTURED AFTER MAY 2005 ARE ROHS COMPLIANT.



	1500	TAPE, REEL	2-327638-1
	50	LOOSE PIECE	327638
	QTY	PACKAGE TYPE	PART NO

AMP INCORPORATED CUSTOMER SERVICE SYSTEMS		MAX RECOMMENDED OPERATING TEMPERATURE: 105° C	THIS DRAWING IS A CONTROLLED DOCUMENT.		DWN JR RUTH 17DEC02	TE Connectivity				
FOR ADDITIONAL PRODUCT INFORMATION OR COPIES OF DRAWINGS AND TECHNICAL DOCUMENTS	PRODUCT INFORMATION CENTER 1-800-522-6752	VOLTAGE RATING: 300V MAX	DIMENSIONS: INCHES	TOLERANCES UNLESS OTHERWISE SPECIFIED:	CHK T MICHELUTTI 17DEC02				NAME SPLICE, BUTT, PIDG WIRE SIZE: 12-10 TO 16-14 AWG	
FOR APPLICATION TOOLING INFORMATION	TOOLING ASSISTANCE CENTER 1-800-722-1111	CIRCULAR MIL AREA: 2.62-6.64mm ² [5,180-13,100] 1.04-2.62mm ² [2,050-5,180] STRANDED		0 PLC ± - 1 PLC ± - 2 PLC ± 0.20[.008] 3 PLC ± - 4 PLC ± - ANGLES ± -	APVD T MICHELUTTI 17DEC02	PRODUCT SPEC	SIZE	CAGE CODE	DRAWING NO	RESTRICTED TO
FOR ORDER ENTRY	1-800-526-5142	THIS DRAWING IS A CONTROLLED DOCUMENT FOR AMP INCORPORATED. IT IS SUBJECT TO CHANGE AND THE CONTROLLING ENGINEERING ORGANIZATION SHOULD BE CONTACTED FOR THE LATEST REVISION.		MATERIAL COPPER	FINISH TIN PLATE	APPLICATION SPEC	—	—	—	—
					CUSTOMER DRAWING		SCALE 1:1	SHEET 1 OF 1	REV L1	