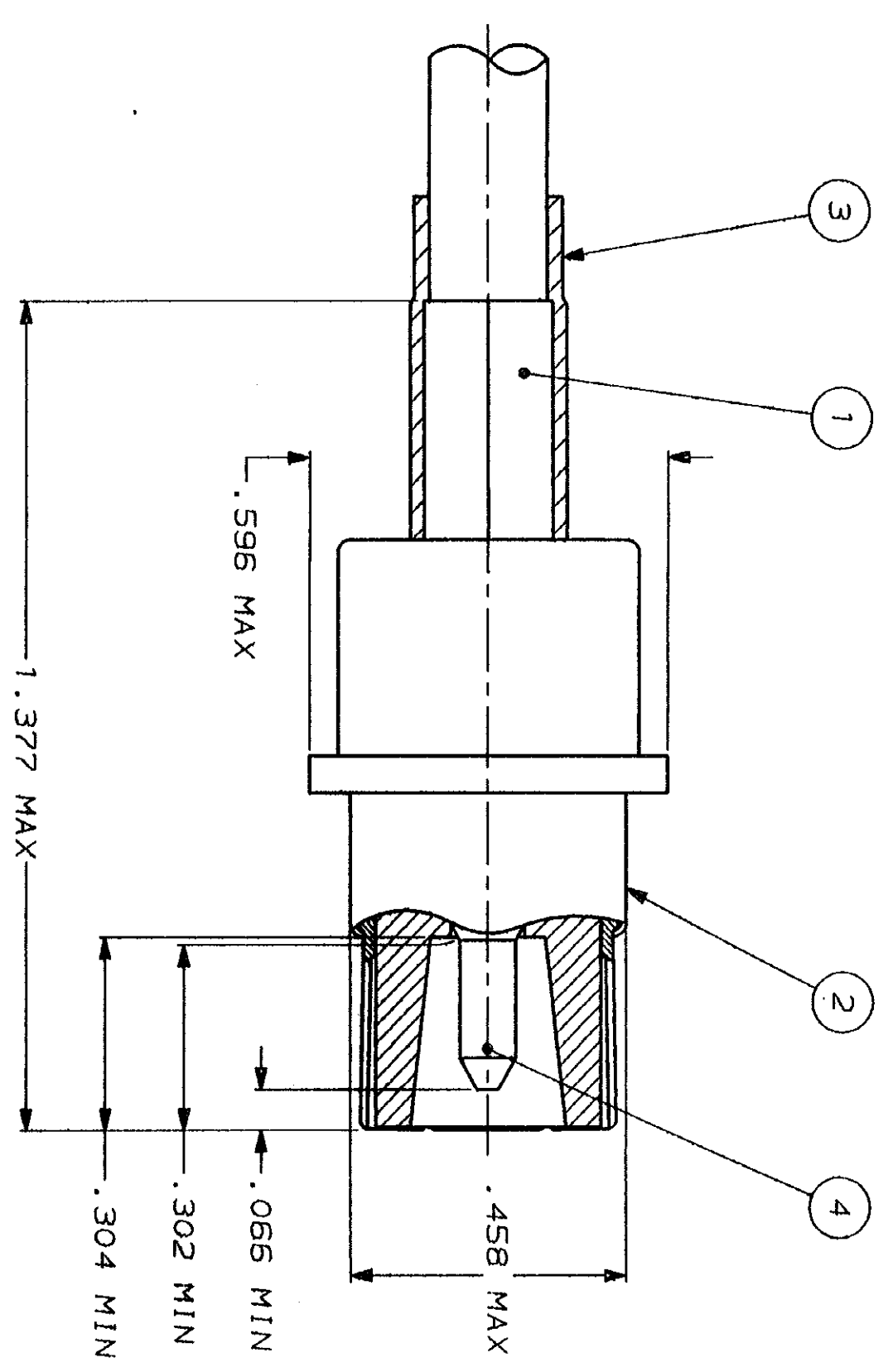


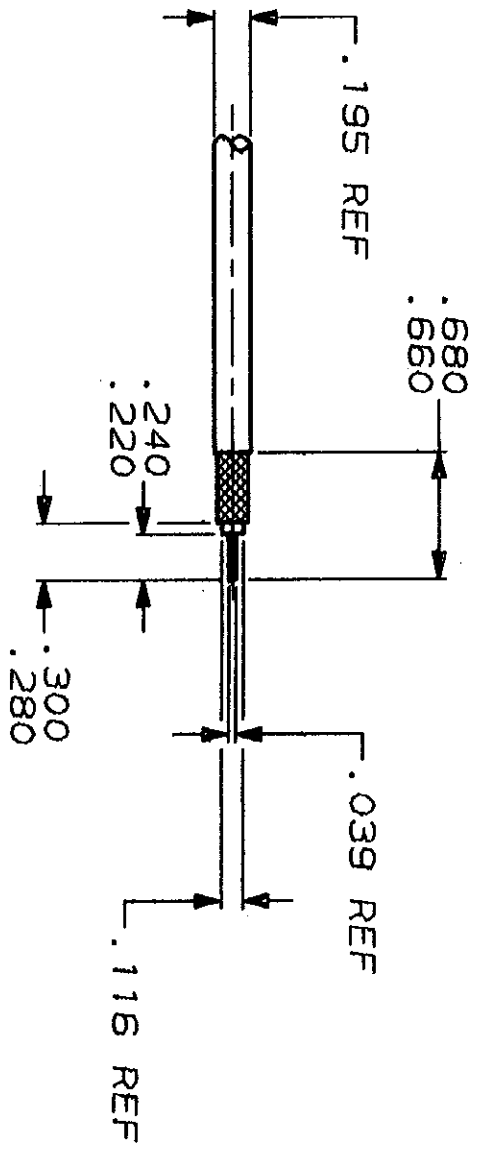
THIS DRAWING IS UNPUBLISHED. RELEASED FOR PUBLICATION BY AMP INCORPORATED. ALL INTERNATIONAL RIGHTS RESERVED.

LOC	DIST	REV	DATE	APPD
DF	X0		3-6-90	PY
REVISIONS				
DESCRIPTION		RELEASED NPR 90-0068		



1. FOR USE WITH RG-142/U CABLE
2. BRAID CRIMP: USE MILITARY TOOL M22520/5-01, WITH DIE SET M22520/5-11, CAVITY A OR EQUIVALENT
3. CENTER CONTACT CRIMP: USE MILITARY TOOL M22520/5-01, WITH DIE SET M22520/5-11, CAVITY B OR EQUIVALENT

RECOMMENDED STRIP LENGTH
SCALE 1:1



QTY	PART NO	DESCRIPTION	ITEM NO
1	447113-1	CONTACT ASSEMBLY	4
1	228143-2	HEAT SHRINK TUBING	3
1	447112-1	PIN ASSEMBLY	2
1	446556-3	FERRULE	1

DO NOT SCALE PRINT. DIMENSIONS IN INCHES. TOLERANCES UNLESS SPECIFIED: 2 PLC DEC # .005 3 PLC DEC # .005 ANGLES # MATERIAL

COAXIAL CONTACT,
PIN, SIZE 1

DR	P. YEAGER	2-13-90	SIZE	FSCM NO	DRAWING NO
CHK	J. CABARLO	2-26-90	SCALE	00779	447095-3
APPD	R. HOSLER	2-28-90	APPLICATION SPEC		
APPD	*	*	WEIGHT		
PRODUCT SPEC					
FINISH					

CUSTOMER DRAWING