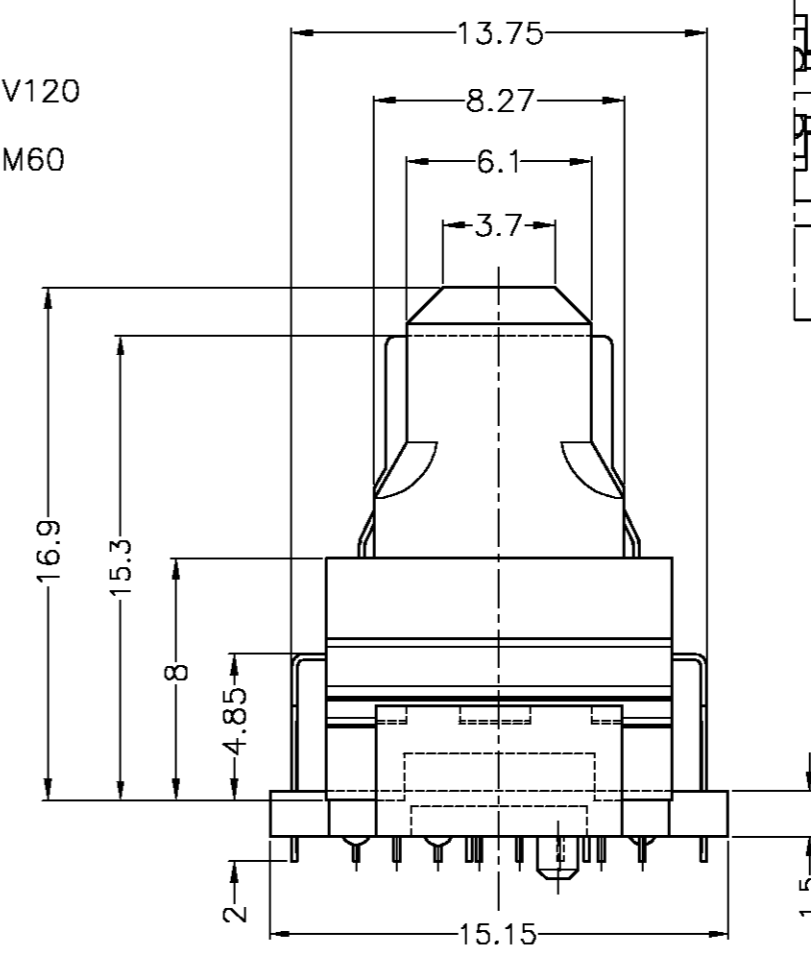
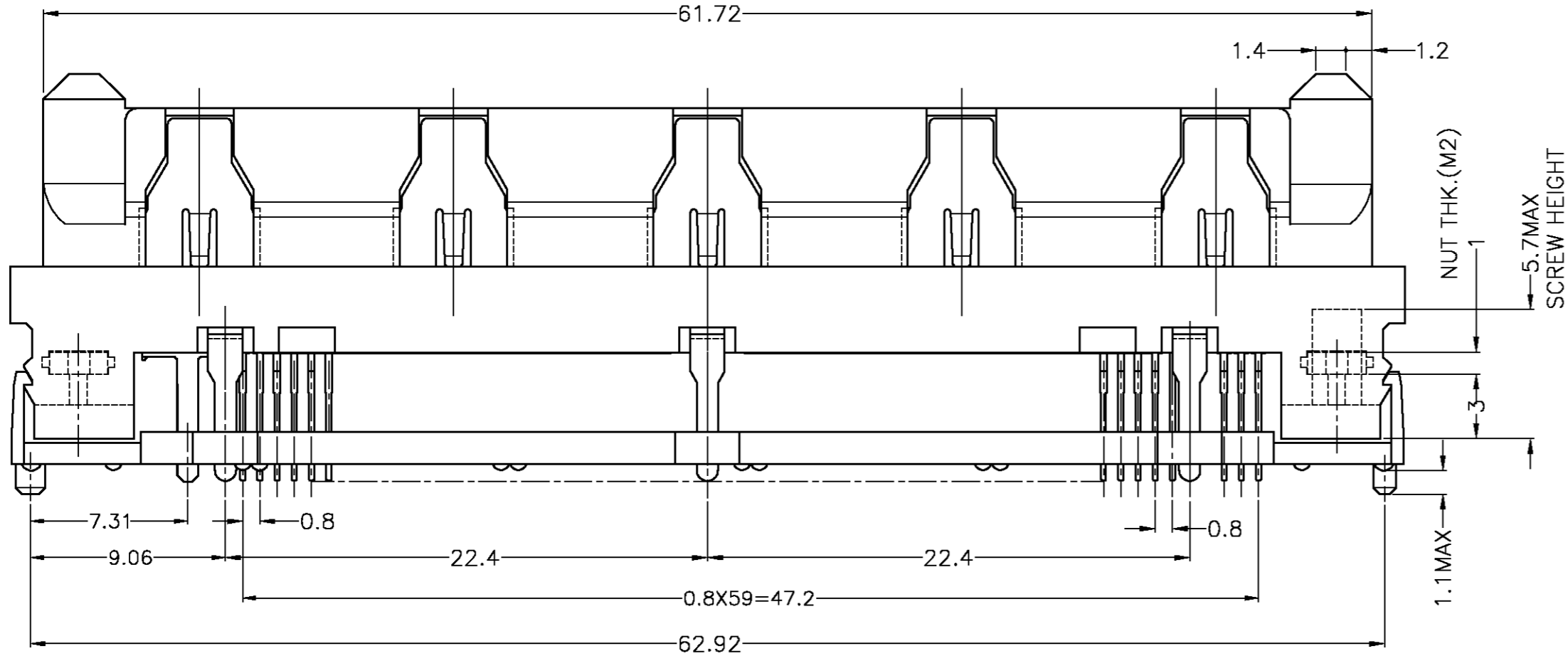
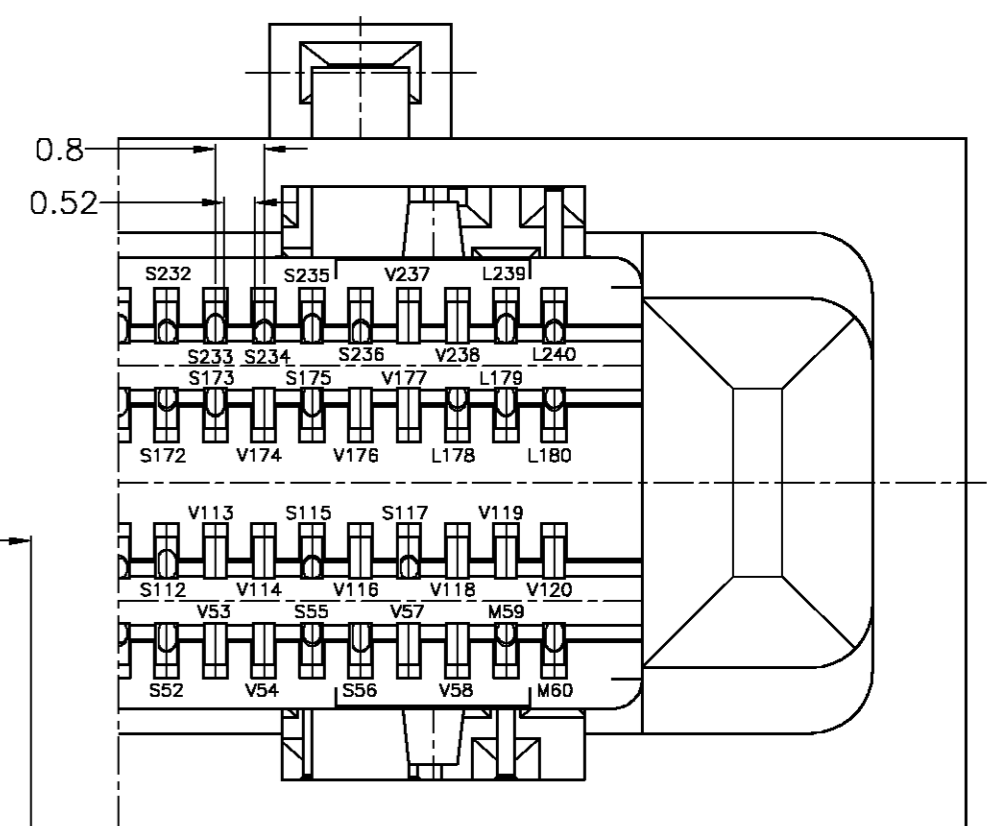
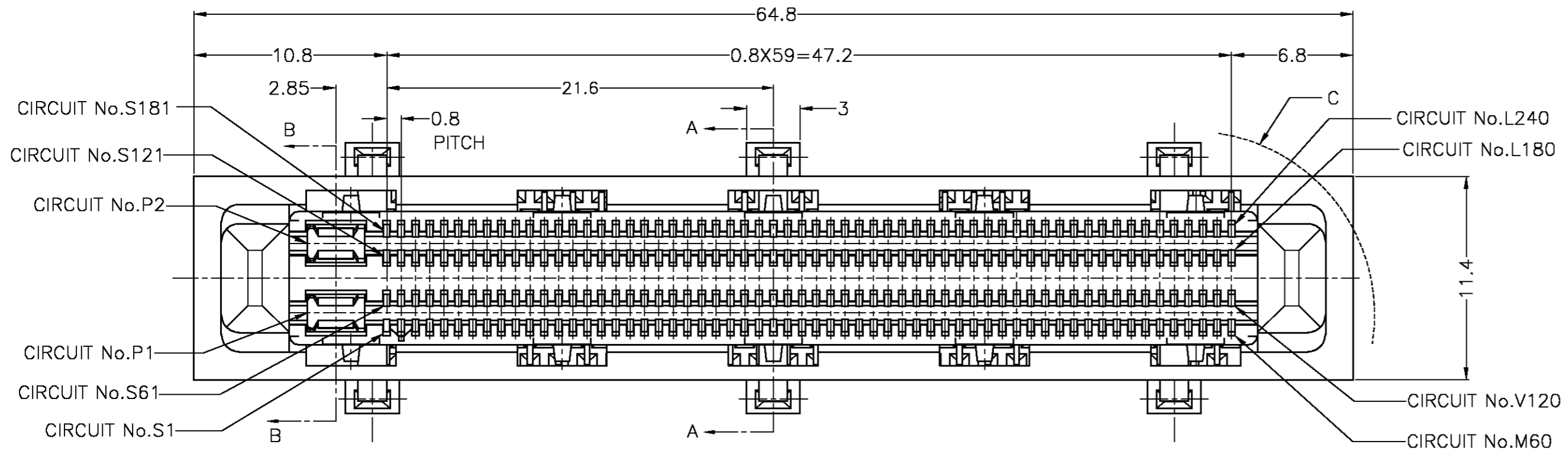


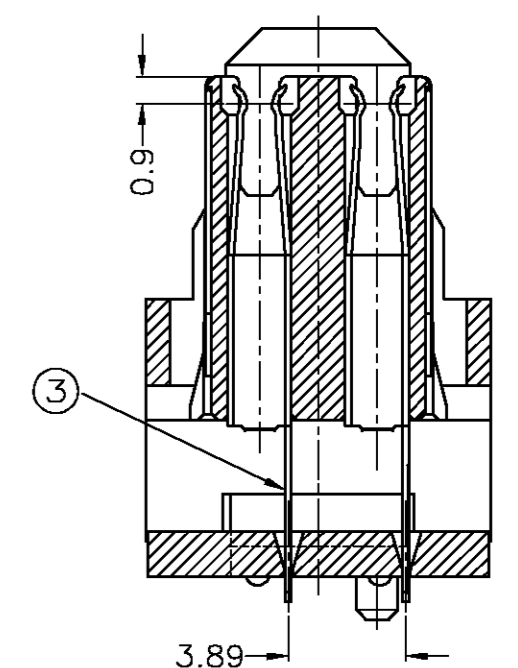
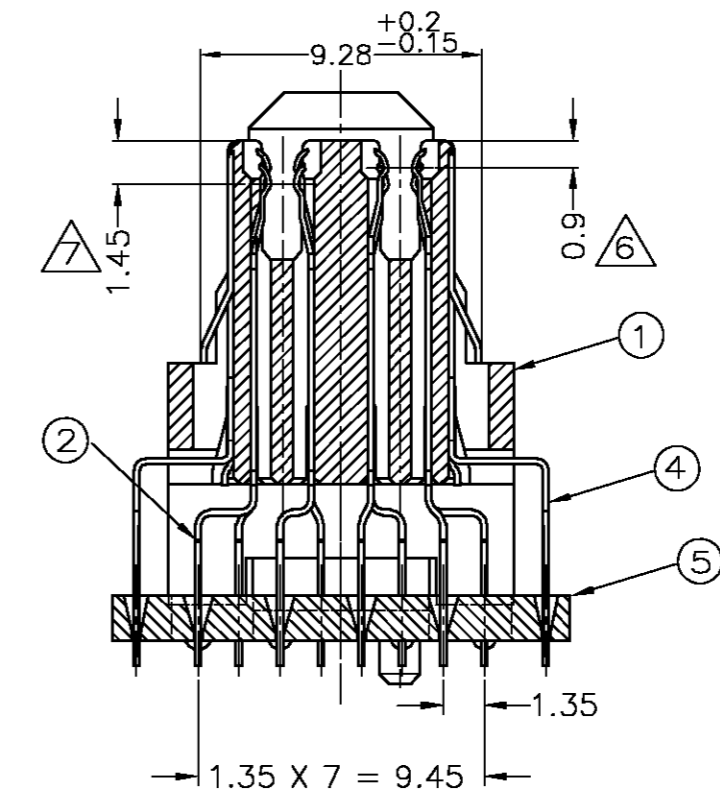
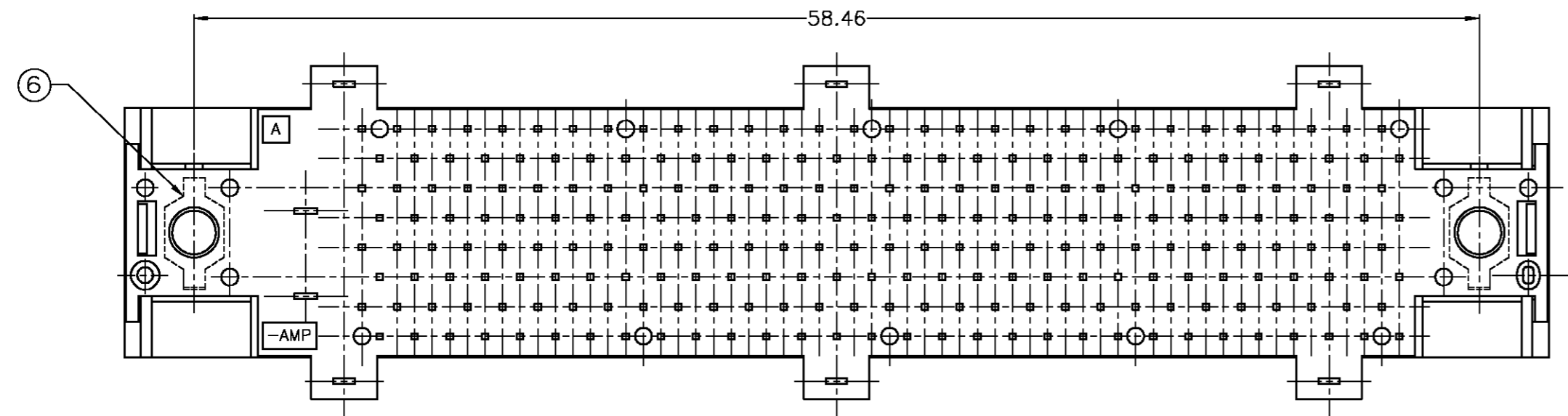
THIS DRAWING IS UNPUBLISHED. RELEASED FOR PUBLICATION 2002.  
 © COPYRIGHT 2002 BY TYCO ELECTRONICS CORPORATION. ALL RIGHTS RESERVED.

LOC		DIST		REVISIONS			DATE	DWN	APVD
P	LTR	DESCRIPTION							
J		A	REVISED (FJBO-0728-03)			12SEP03	T.K	H.S	



極数  
 SIGNAL 218P  
 MODEM 2P  
 LAN 5P  
 VOID 15P  
 POWER 2P

1674037-1 ; AS SHOWN  
 SHEET 1 & 2



REFERENCE PANEL OPENING DIM.  
 参考パネル開口寸法

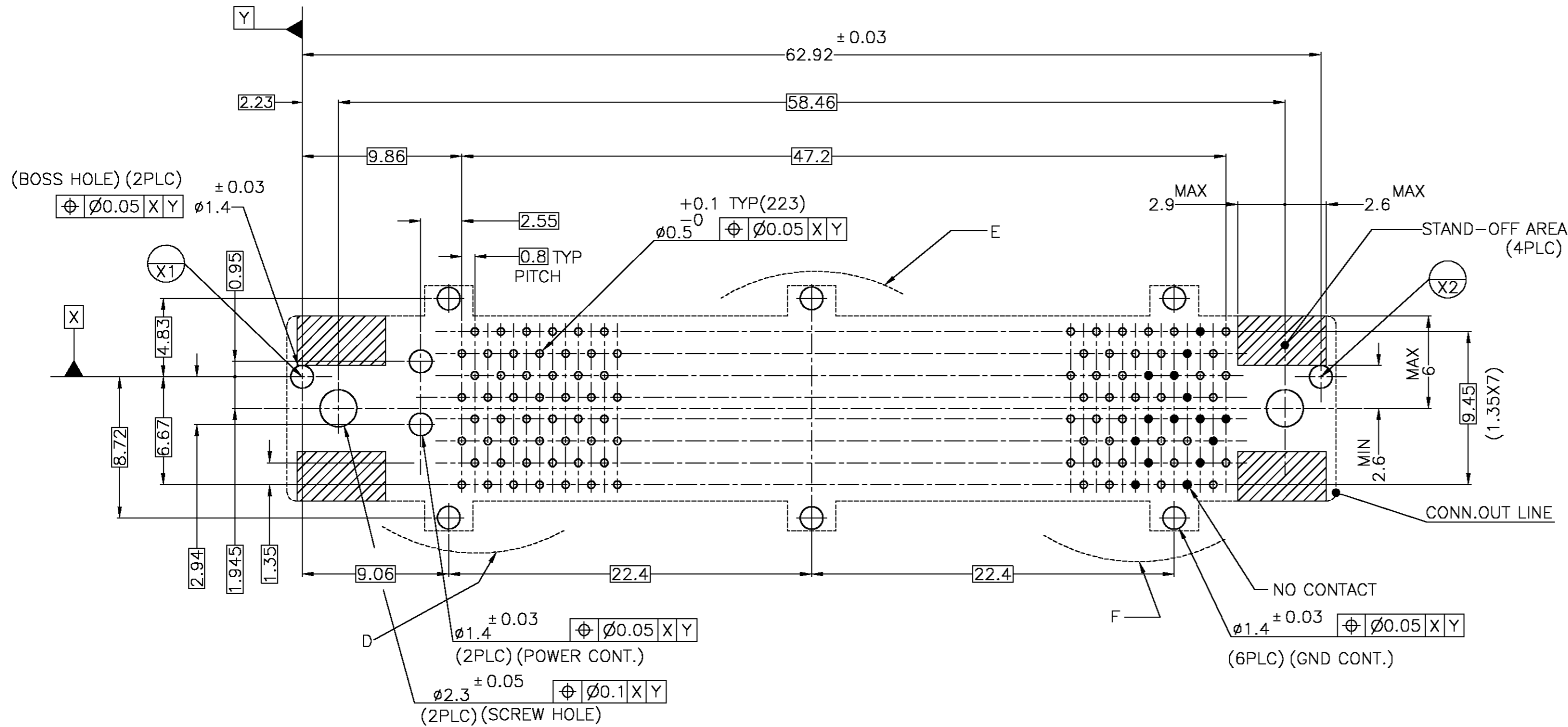
THIS DRAWING IS A CONTROLLED DOCUMENT.		DWN T.KAWAMAE 25AUG03	 Tyco Electronics AMP K.K. Kawasaki, Japan
DIMENSIONS: MM		CHK S.ABE 25AUG03	
TOLERANCES UNLESS OTHERWISE SPECIFIED:		APVD H.SHIRAI 25AUG03	NAME
1 PLG ± ± 0.3 2 PLG ± ± 3' 3 PLG ± ± 3' 4 PLG ± ± 3' ANGLES FINISH ±		PRODUCT SPEC 108-5742	REC ASSY V (240P + POWER 2P)
MATERIAL SEE NOTE		APPLICATION SPEC	FOR 0.8 mm PITCH DOCKING CONN.
SEE NOTE		WEIGHT 12.6g	SIZE A2
SEE NOTE		CUSTOMER DRAWING	CAGE CODE 00779
			DRAWING NO C=1674037
			RESTRICTED TO -
			SCALE 4:1 SHEET 1 OF 4 REV A

1674037

A

THIS DRAWING IS UNPUBLISHED. RELEASED FOR PUBLICATION 2002.  
 © COPYRIGHT 2002 BY TYCO ELECTRONICS CORPORATION. ALL RIGHTS RESERVED.

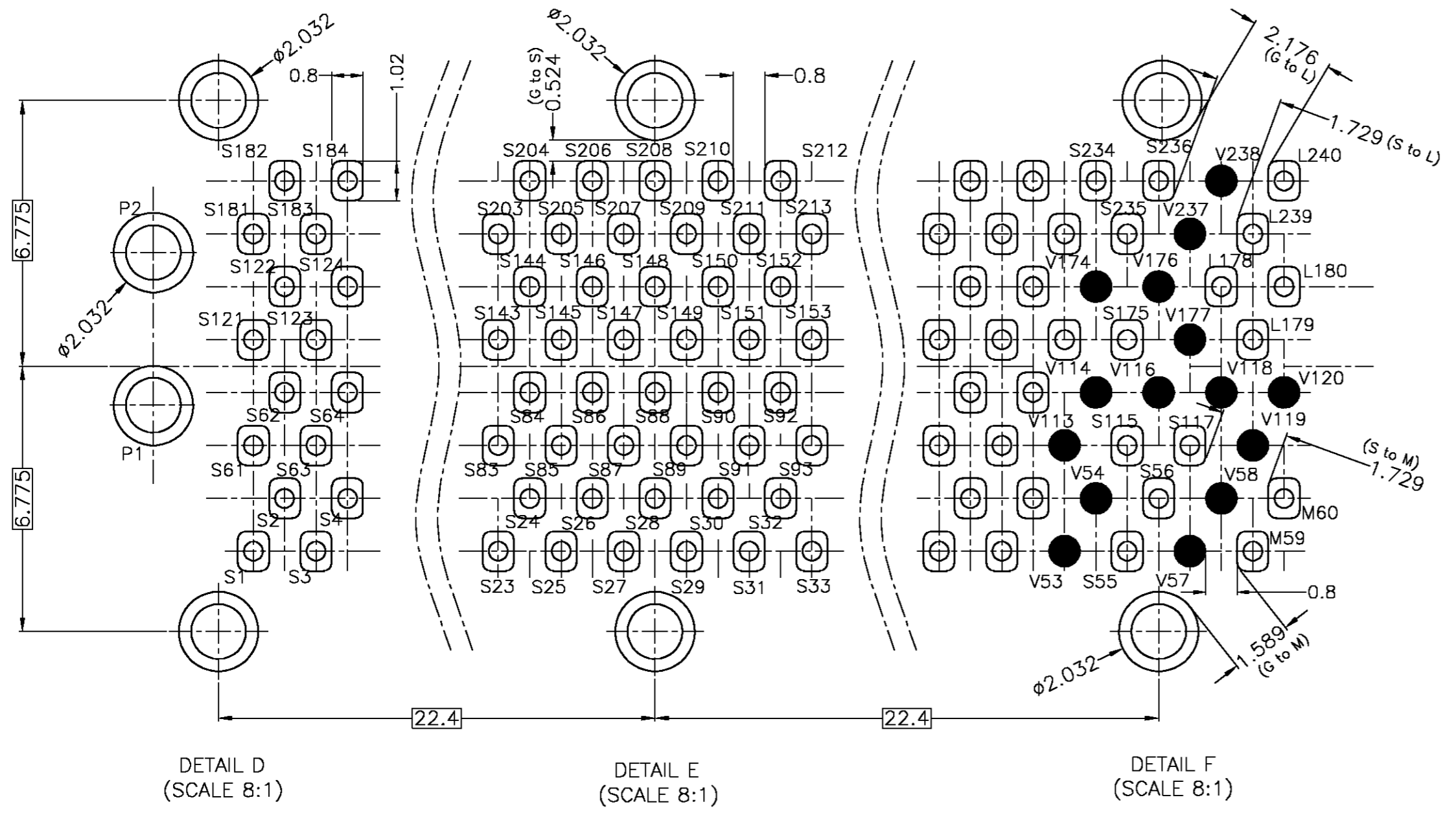
LOC	DIST	REVISIONS					
		P	LTR	DESCRIPTION	DATE	DWN	APVD
J							



RECOMMENDED PC BOARD DIMENSIONS (MOUNTING SIDE)  
 推奨基板寸法 (実装面)

- 注記
- △材質
    - ハウジング : 熱可塑性樹脂 UL94V-0, 黒
    - タイムプレート : 熱可塑性樹脂 UL94V-0, 黒
    - シグナルコンタクト : 銅合金
    - パワーコンタクト : 銅合金
    - グランドプレート : 銅合金
    - ナット : ステンレス鋼
  - △仕上げ
    - シグナルコンタクト & パワーコンタクト :  
ニッケル下地接点部金めっき、はんだ付け部はんだめっき
    - グランドプレート : 銅下地すずめっき(リフロー)
  - 3 適用基板厚 : 1.2 ± 0.1mm
  - 4 嵌合相手型番 : X-1674036-X
  - △5 推奨ねじ締め付けトルク : 0.15N・m(1.5kgf・cm)から0.2N・m(2kgf・cm)
  - △6 適用極 No. : 1~120極面 : 偶数極、121~240極面 : 奇数極 に適用。
  - △7 適用極 No. : 1~120極面 : 奇数極、121~240極面 : 偶数極 に適用。

- NOTE
- △MATERIAL
    - HOUSING : THERMOPLASTIC, UL94V-0, BLACK
    - TINE PLATE : THERMOPLASTIC, UL94V-0, GRAY
    - SIGNAL CONTACT: COPPER ALLOY
    - POWER CONTACT : COPPER ALLOY
    - GROUND PLATE : COPPER ALLOY
    - NUT : STAINLESS STEEL
  - △FINISH
    - SIGNAL CONTACT & POWER CONTACT  
Au PI. ON CONTACT AREA  
Sn-Pb PI. ON SOLDER AREA  
Ni UNDER PI. ALL OVER  
GROUND PLATE  
Tin PI. ALL OVER (REFLOW)  
Cu PI. UNDER PI. ALL OVER
  - 3 APPLICABLE THICKNESS OF P.C.BOARD : 1.2 ± 0.1mm
  - 4 CONNECTOR TO BE MATED : X-1674036-X
  - △5 RECOMMENDED TIGHTENING TORQUE : FROM 0.15N・m(1.5kgf・cm) TO 0.2N・m(2kgf・cm)
  - △6 APPLICABLE POSITION NUMBER ;  
1~120 POS. : APPLICABLE TO EVEN NUMBER POSITION  
121~240 POS. : APPLICABLE TO ODD NUMBER POSITION
  - △7 APPLICABLE POSITION NUMBER ;  
1~120 POS. : APPLICABLE TO ODD NUMBER POSITION  
121~240 POS. : APPLICABLE TO EVEN NUMBER POSITION

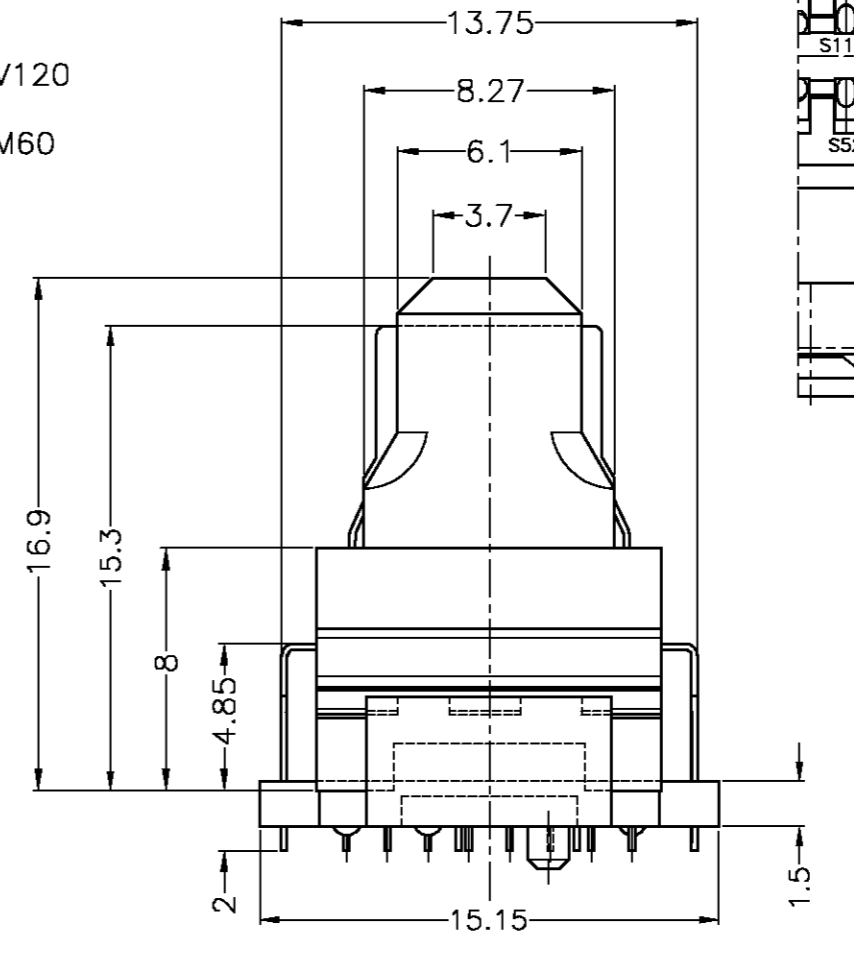
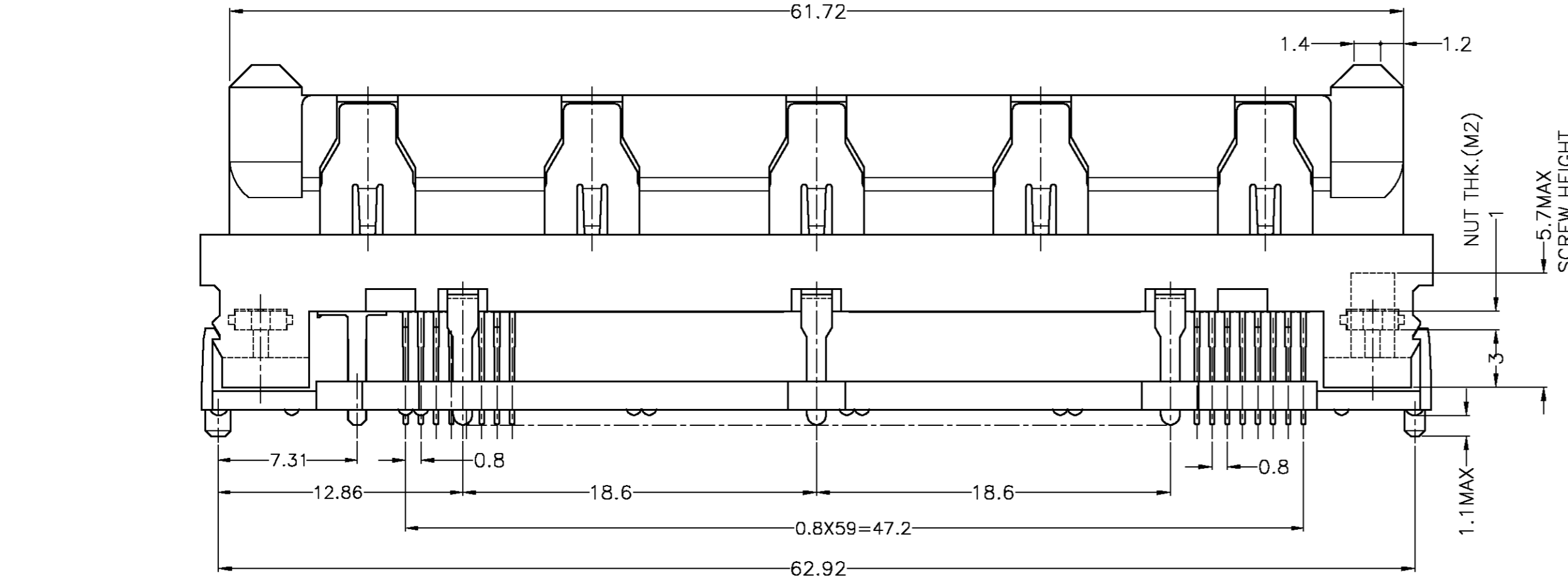
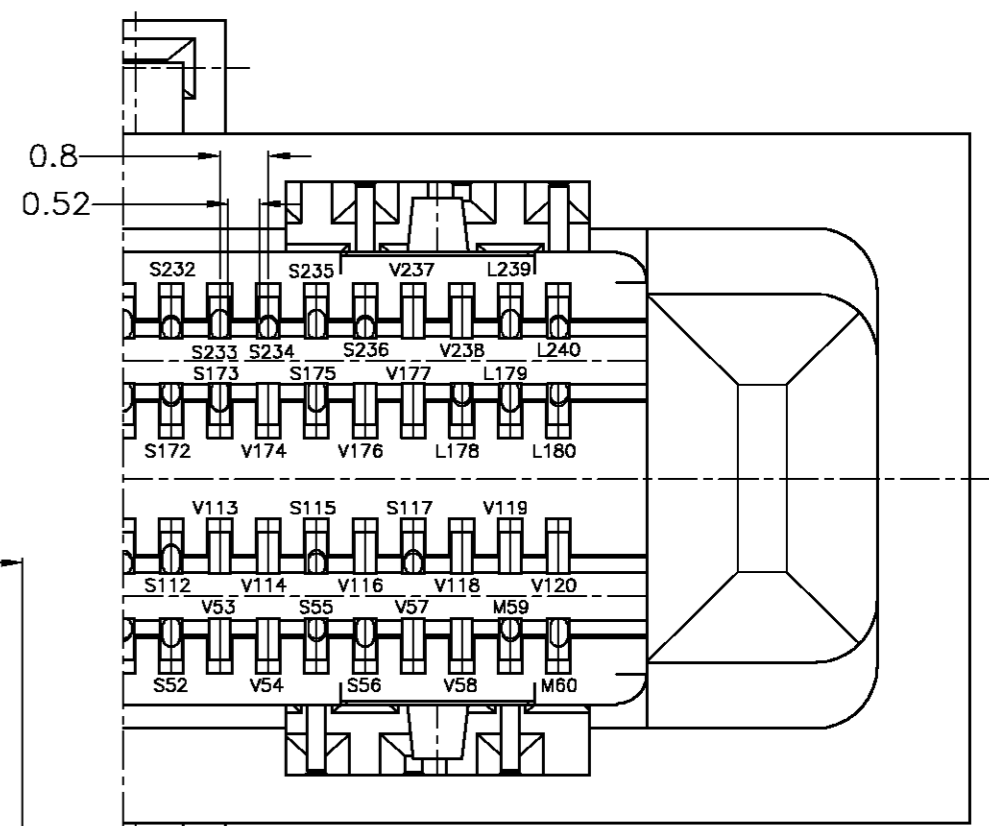
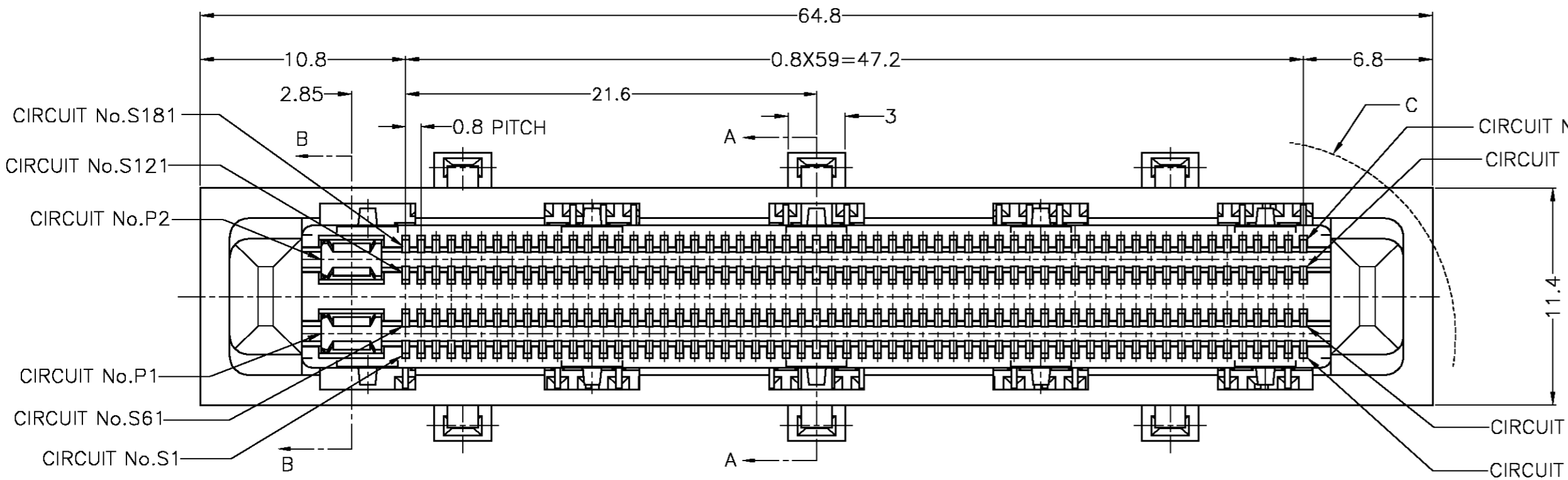


2	NUT	6
1	TINE PLATE (TYPE 1)	5
2	GROUND PLATE (TYPE 1)	4
2	POWER CONTACT	3
225	SIGNAL CONTACT	2
1	HOUSING	1
-1	NAME	ITEM NO.

THIS DRAWING IS A CONTROLLED DOCUMENT.		DWN	tyco Tyco Electronics AMP K.K. Kawasaki, Japan	
DIMENSIONS: MM		CHK	NAME	
TOLERANCES UNLESS OTHERWISE SPECIFIED:		APVD	REC ASSY V (240P + POWER 2P)	
6 PLG ±		PRODUCT SPEC	FOR 0.8 mm PITCH DOCKING CONN.	
1 PLG ± ± 0.3		APPLICATION SPEC	SIZE	CAGE CODE
2 PLG ± ± 3'			A2	00779
3 PLG ± ± 3'		WEIGHT	DRAWING NO	RESTRICTED TO
4 PLG ± ±			C=1674037	-
ANGLES ±		CUSTOMER DRAWING	SCALE	SHEET
FINISH			4:1	2 OF 4
SEE NOTE				REV A

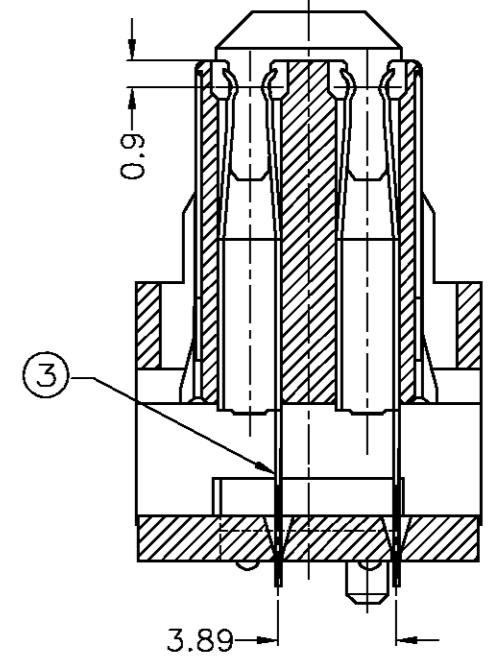
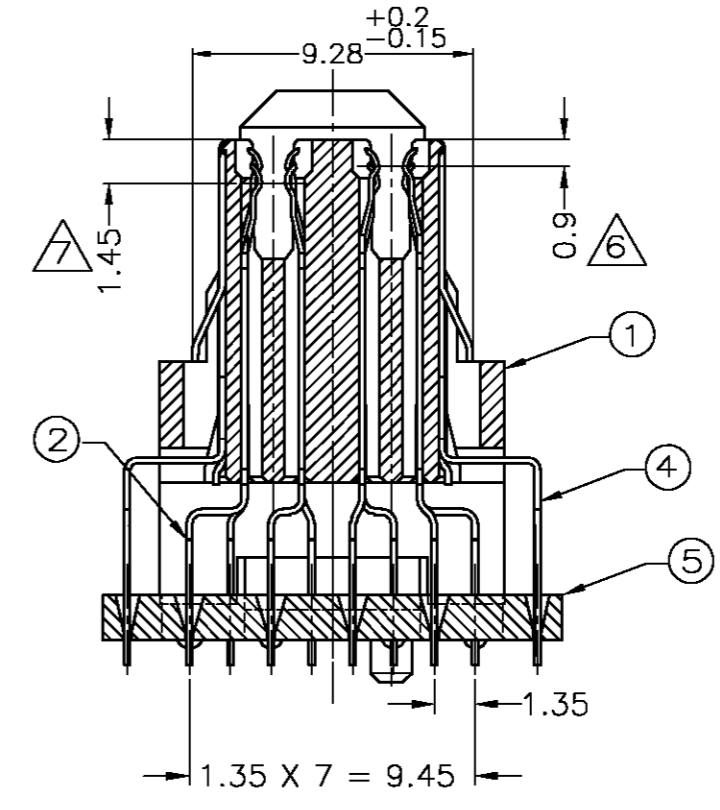
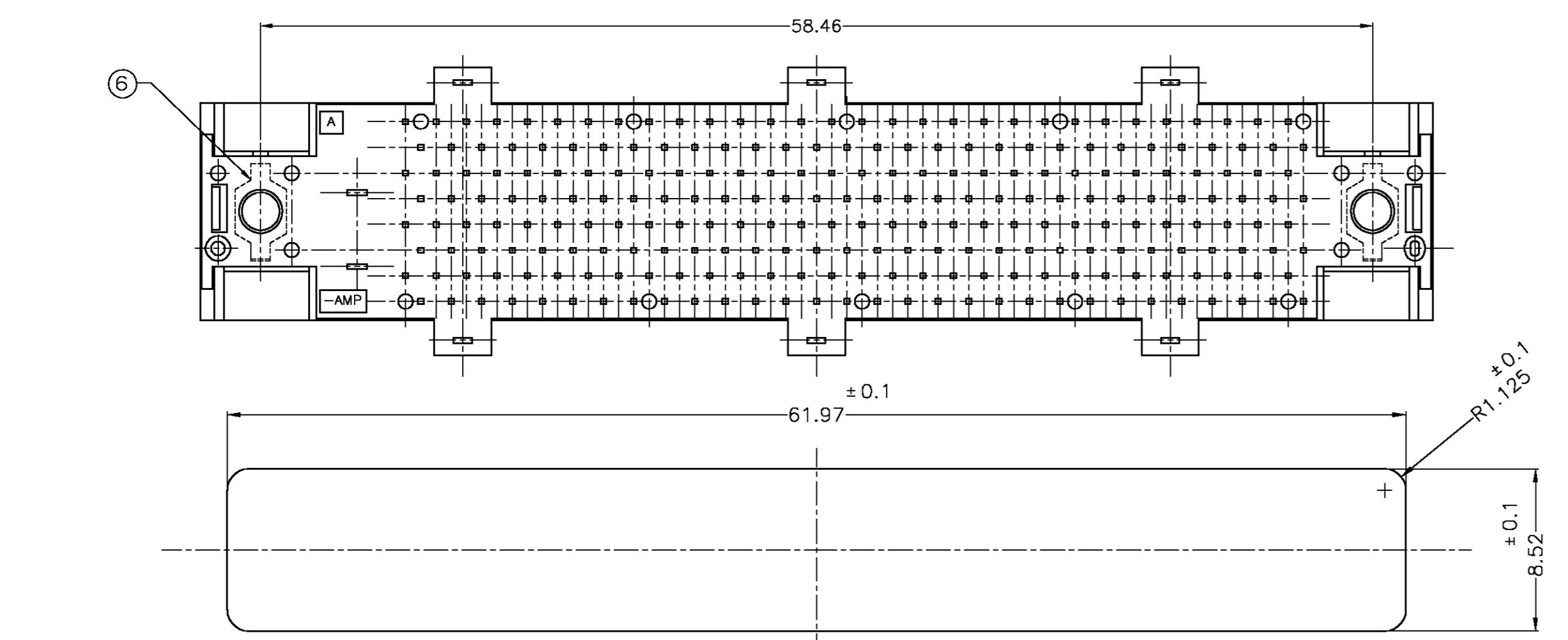
THIS DRAWING IS UNPUBLISHED. RELEASED FOR PUBLICATION 2002.  
 © COPYRIGHT 2002 BY TYCO ELECTRONICS CORPORATION. ALL RIGHTS RESERVED.

Loc		DIST		REVISIONS			
J				DESCRIPTION	DATE	DWN	APVD
P	LTR						
-	-						



極数  
 SIGNAL 218P  
 MODEM 2P  
 LAN 5P  
 VOID 15P  
 POWER 2P

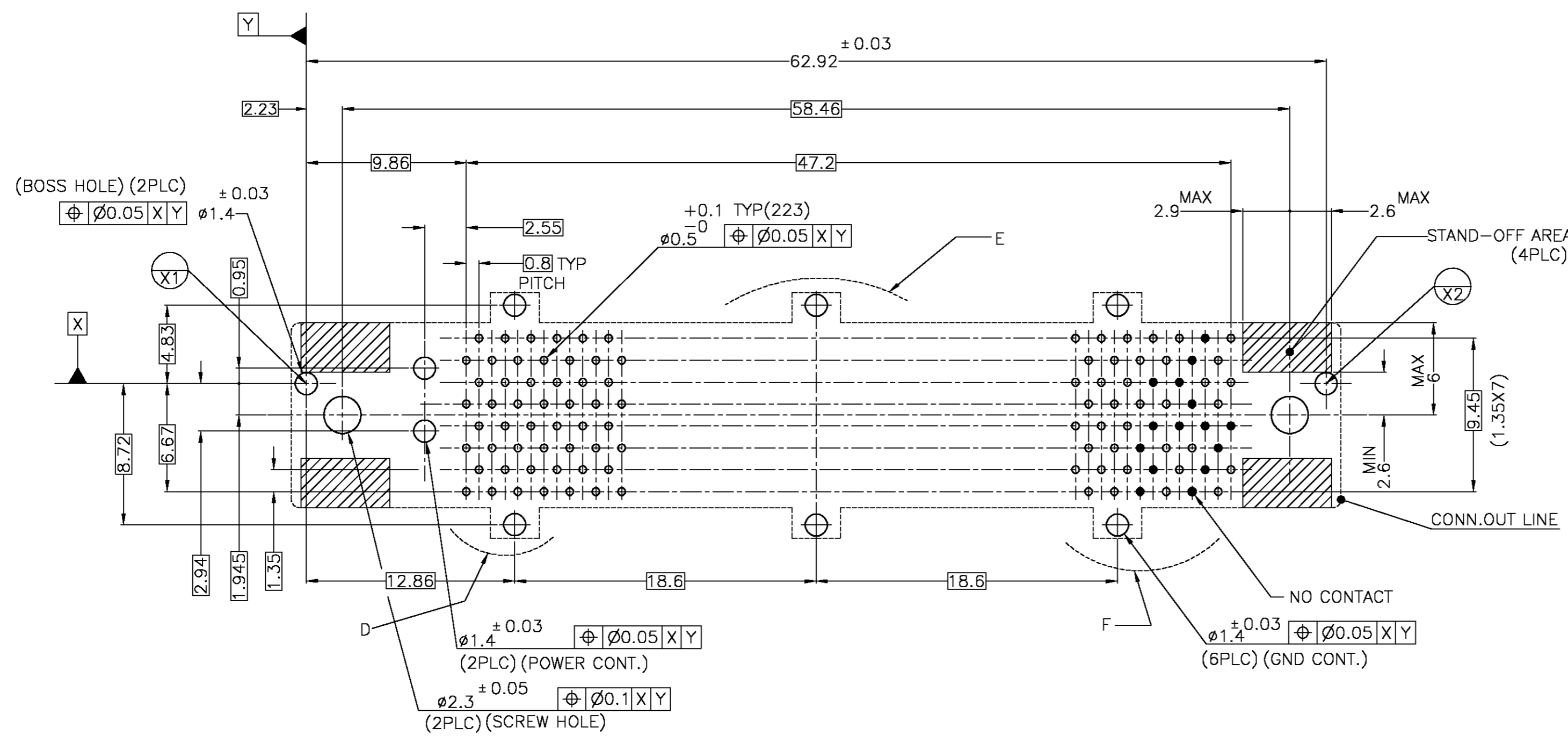
1674037-2 ; AS SHOWN  
 SHEET 3 & 4



THIS DRAWING IS A CONTROLLED DOCUMENT.		DWN	-	Tyco Electronics AMP K.K. Kawasaki, Japan	NAME
DIMENSIONS: MM		CHK	-		
TOLERANCES UNLESS OTHERWISE SPECIFIED:		APVD	-		
6 PLG ± 1 PLG ± 0.3 2 PLG ± 0.3 3 PLG ± 3' 4 PLG ± ANGLES ±		PRODUCT SPEC	-		
MATERIAL		FINISH	-	APPLICATION SPEC	-
WEIGHT		12.6g		SIZE	A2
CUSTOMER DRAWING		SCALE 4:1		CAGE CODE	00779
DRAWING NO		C=1674037		DRAWING NO	C=1674037
RESTRICTED TO		-		SHEET	3 OF 4
REV		A		REV	A

THIS DRAWING IS UNPUBLISHED. RELEASED FOR PUBLICATION 2002.  
 © COPYRIGHT 2002 BY TYCO ELECTRONICS CORPORATION. ALL RIGHTS RESERVED.

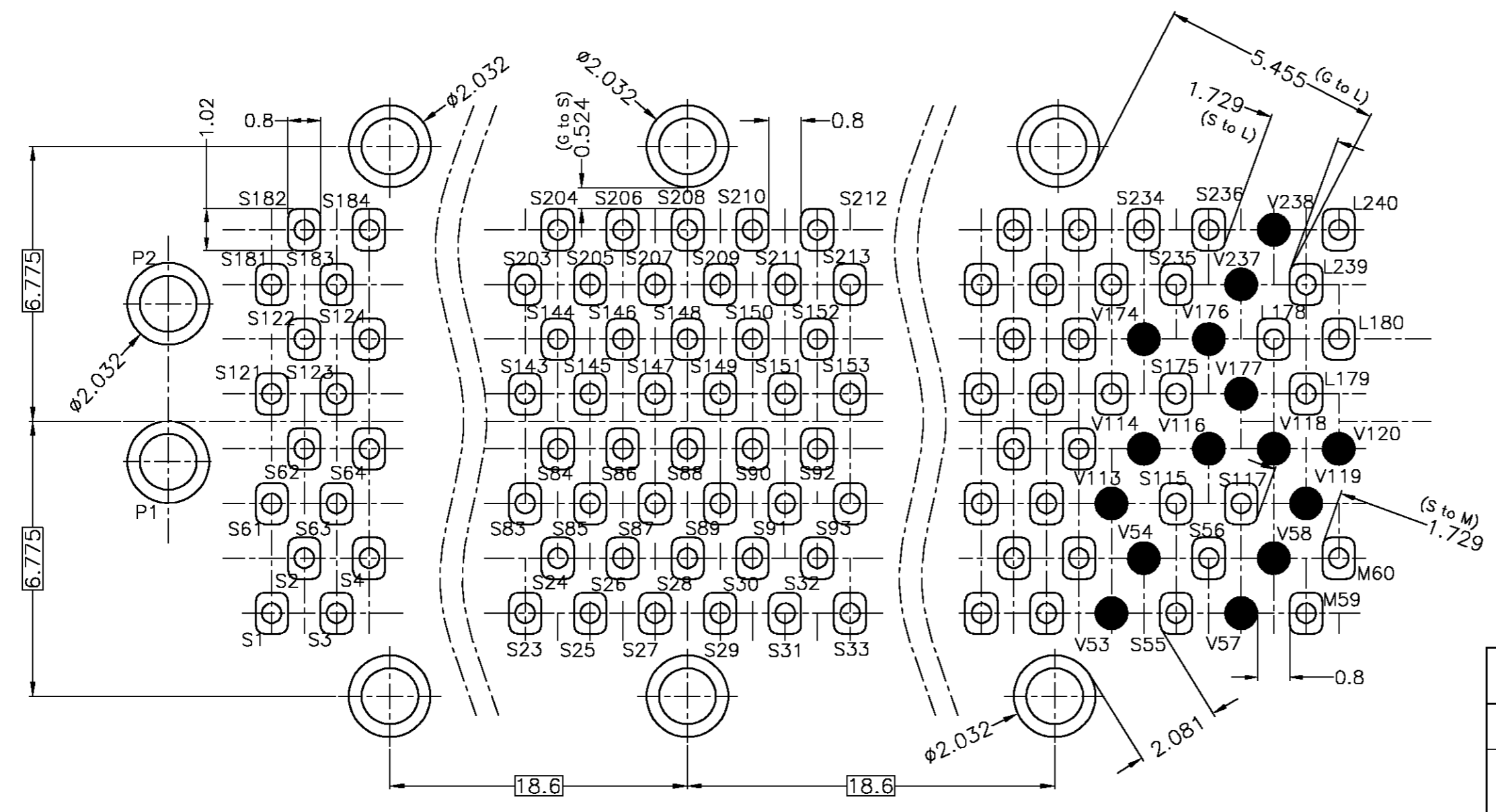
LOC		DIST		REVISIONS			
J				REV	DESCRIPTION	DATE	APVD



RECOMMENDED PC BOARD DIMENSIONS (MOUNTING SIDE)  
 推奨基板寸法 (実装面)

- 注記
- △材質
    - ハウジング : 熱可塑性樹脂 UL94V-0, 黒
    - タイムプレート : 熱可塑性樹脂 UL94V-0, グレー
    - シグナルコンタクト : 銅合金
    - パワーコンタクト : 銅合金
    - グラウンドプレート : 銅合金
    - ナット : ステンレス鋼
  - △仕上
    - シグナルコンタクト & パワーコンタクト :  
 ニッケル下地接点部全めっき、はんだ付け部はんだめっき  
 グラウンドプレート : 銅下地すずめっき (リフロー)
  - 3 適用基板厚 : 1.2 ± 0.1mm
  - 4 嵌合相手型番 : X-1674036-X
  - △推奨ねじ締め付けトルク : 0.15N・m (1.5kgf・cm) から 0.2N・m (2kgf・cm)
  - △適用極 No. : 1~120極間 : 偶数極、121~240極間 : 奇数極 に適用。
  - △適用極 No. : 1~120極間 : 奇数極、121~240極間 : 偶数極 に適用。

- NOTE
- △ MATERIAL
    - HOUSING : THERMOPLASTIC, UL94V-0, BLACK
    - TINE PLATE : THERMOPLASTIC, UL94V-0, GRAY
    - SIGNAL CONTACT : COPPER ALLOY
    - POWER CONTACT : COPPER ALLOY
    - GROUND PLATE : COPPER ALLOY
    - NUT : STAINLESS STEEL
  - △ FINISH
    - SIGNAL CONTACT & POWER CONTACT  
 Au PI. ON CONTACT AREA  
 Sn-Pb PI. ON SOLDER AREA  
 Ni UNDER PI. ALL OVER  
 GROUND PLATE  
 Tin PI. ALL OVER (REFLOW)  
 Cu PI. UNDER PI. ALL LVER
  - 3 APPLICABLE THICKNESS OF P.C.BOARD : 1.2 ± 0.1mm
  - 4 CONNECTOR TO BE MATED : X-1674036-X
  - △ RECOMMENDED TIGHTENING TORQUE : FROM 0.15N・m (1.5kgf・cm) TO 0.2N・m (2kgf・cm)
  - △ APPLICABLE POSITION NUMBER ;  
 1~120 POS. : APPLICABLE TO EVEN NUMBER POSITION  
 121~240 POS. : APPLICABLE TO ODD NUMBER POSITION
  - △ APPLICABLE POSITION NUMBER ;  
 1~120 POS. : APPLICABLE TO ODD NUMBER POSITION  
 121~240 POS. : APPLICABLE TO EVEN NUMBER POSITION



DETAIL D (SCALE 8:1)

DETAIL E (SCALE 8:1)

DETAIL F (SCALE 8:1)

2	NUT	6
1	TINE PLATE (TYPE 2)	5
2	GROUND PLATE (TYPE 2)	4
2	POWER CONTACT	3
225	SIGNAL CONTACT	2
1	HOUSING	1
-2	NAME	ITEM NO.

THIS DRAWING IS A CONTROLLED DOCUMENT.

DIMENSIONS: MM	TOLERANCES UNLESS OTHERWISE SPECIFIED:	0-PLC ±	1-PLC ± 0.3	2-PLC ± 3	3-PLC ±	4-PLC ±	ANGLES ±	FINISH
SEE NOTE	SEE NOTE							

tyco Electronics Tyco Electronics AMP K.K. Kawasaki, Japan

REC ASSY V (240P + POWER 2P)  
 FOR 0.8 mm PITCH DOCKING CONN.

SIZE	CAGE CODE	DRAWING NO.	RESTRICTED TO
A2	00779	C-1674037	-

CUSTOMER DRAWING SCALE 4:1 SHEET 4 OF 4 REV A

1674037