

MATERIALS AND FINISHES

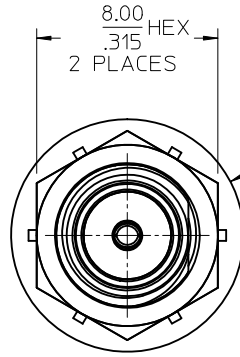
BODY, JAM NUT, CRIMP TUBE BRASS
PLATED GOLD

CENTER CONTACT BERYLLIUM COPPER
PLATED GOLD

INSULATOR TEFLON

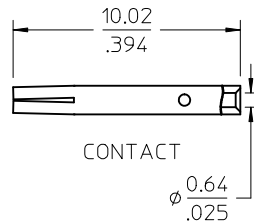
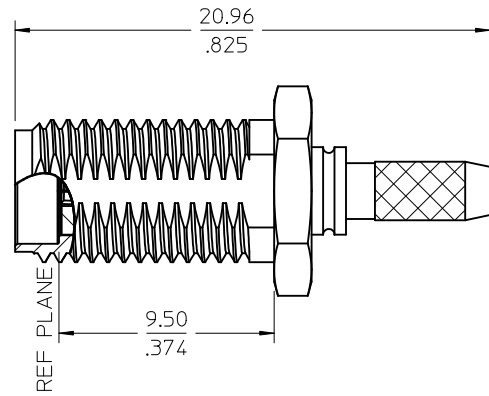
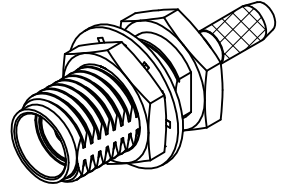
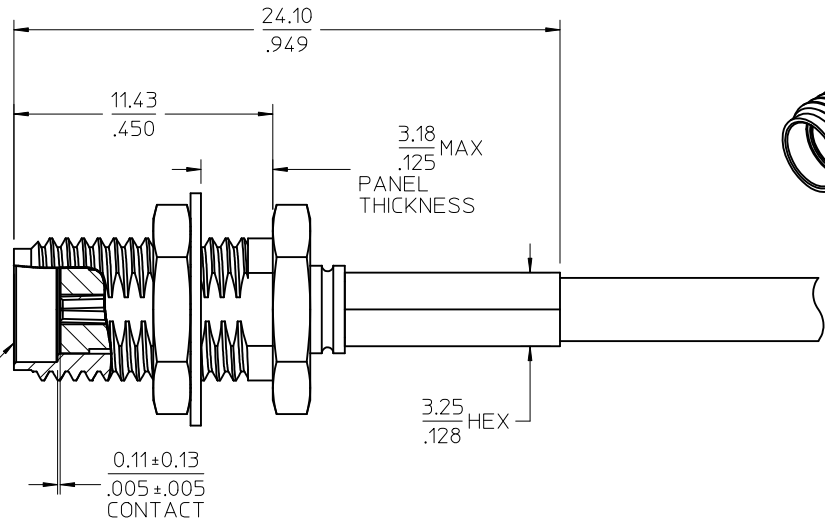
LOCKWASHER PHOSPHER BRONZE
PLATED GOLD

SHRINK TUBE BLACK

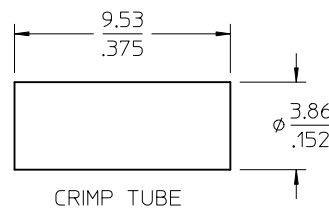


ϕ 10.26
.404
LOCKWASHER

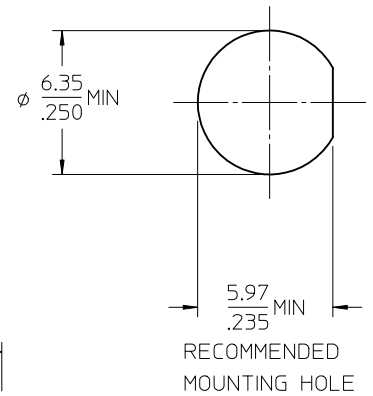
SMA JACK
INTERFACE



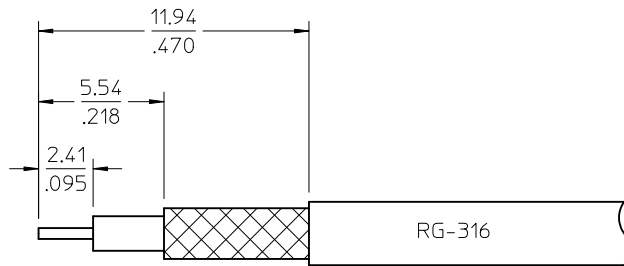
CONTACT



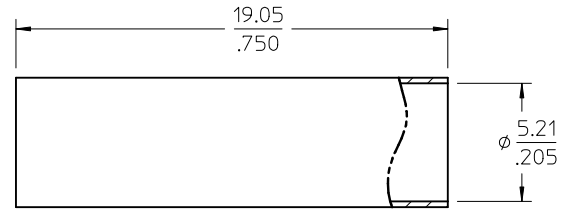
CRIMP TUBE



RECOMMENDED
MOUNTING HOLE



RECOMMENDED CABLE STRIP



SHRINK TUBE
(SEE TABLE)

PS-89675-3460	ELECTRO/MECH PERFORM.
MIL-STD-348A, FIG. 310.2	INTERFACE
SPECIFICATION	DESCRIPTION

73251-0933	P/N 73251-0930, BY TRAY (20CAV.)
73251-0932	ONE PIECE 73251-0930 PER BAG
73251-0931	WITHOUT SHRINK TUBE
73251-0930	WITH SHRINK TUBE
PART NO.	PACKAGING

CHG: DELETE ASSY
SPEC ES-89675-164
PS-89675-346 WAS
ES-89675-2100
EC NO: URF2011-0777
DRWN:JWIENER 2011/07/01
CHKD:SSS 2011/07/01
APPR:JWIENER 2011/07/05

QUALITY SYMBOLS
▽=0
▽=0

GENERAL TOLERANCES (UNLESS SPECIFIED)

	mm	INCH
4 PLACES	± .005	± .0005
3 PLACES	± .005	± .0005
2 PLACES	± .005	± .0005
1 PLACE	± .005	± .0005

ANGULAR ± 2 °

DRAFT WHERE APPLICABLE
MUST REMAIN
WITHIN DIMENSIONS

DIMENSION STYLE
MM/IN

SCALE
M/M

DESIGN UNITS
METRIC

THIRD ANGLE PROJECTION

DRAWN BY DATE
TEF 2002/04/03

CHECKED BY DATE
SSS 2002/04/03

APPROVED BY DATE
GMH 2002/04/03

MATERIAL NO.
SEE TABLE

SIZE
C

TITLE
SMA JACK, BLKHD, RG316
50 OHMS, EWR-1691
SMA-JC

MOLEX INCORPORATED

DOCUMENT NO.
SD-73251-093

SHEET NO.
1 OF 1

THIS DRAWING CONTAINS INFORMATION THAT IS PROPRIETARY TO MOLEX INCORPORATED AND SHOULD NOT BE USED WITHOUT WRITTEN PERMISSION