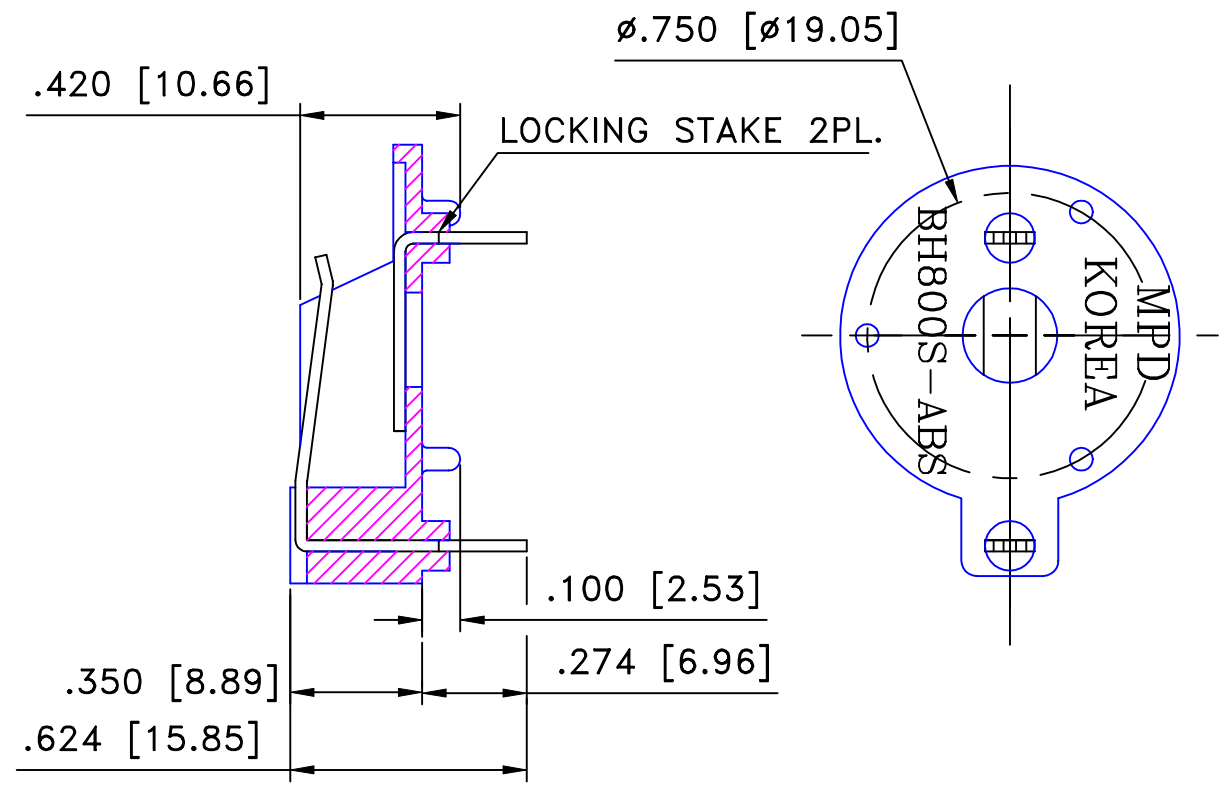
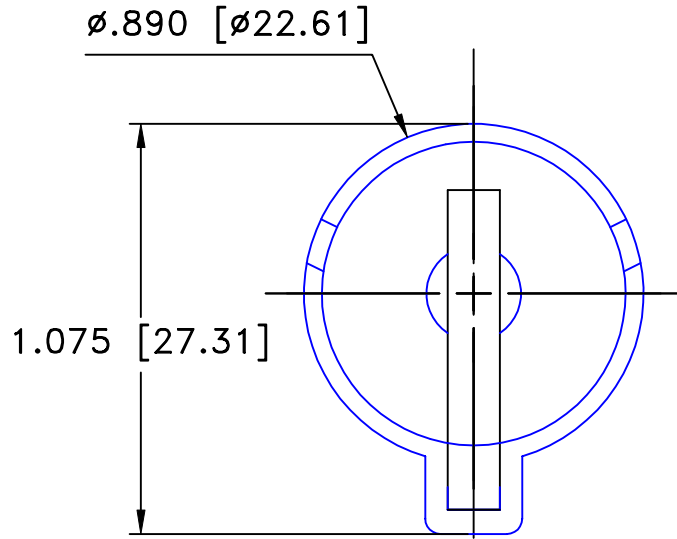
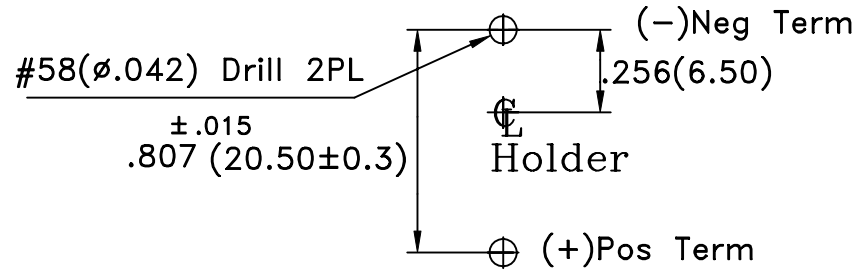



PCB LATOUT

Date	SYM	REVISION RECORD	AUTH	DR.	CK.



SPECIFICATIONS

- \*Holder material—High Strength, Black ABS
- \*Flammability rating—UL94HB, File No.E67171(M)
- \*Contacts—SK5 spring steel, Nickel Plated 0.0002” thick
- \*Vicat Softening Temp. 96° C per test method D-1525
- \*Heat Deflection Temp. 89° C per test method D-648 unannealed 18.5kg/cm, 1/2”

Tolerance (Except as noted)	 <b>Memory protection Devices, Inc</b> 200 Broad Hollow Road, Farmingdale, New York 11735		
decimal		Scale	Drawn By B.S.
±.5 (.020)		4=1	Approved By T.B.
Fractional	Title		
± .8 (.030)	CR/BR 2025/2032 TWO COIN BATTERY		
Angular	Date	Drawing Number	
± 3°	10/20/01	BH800S-ABS	