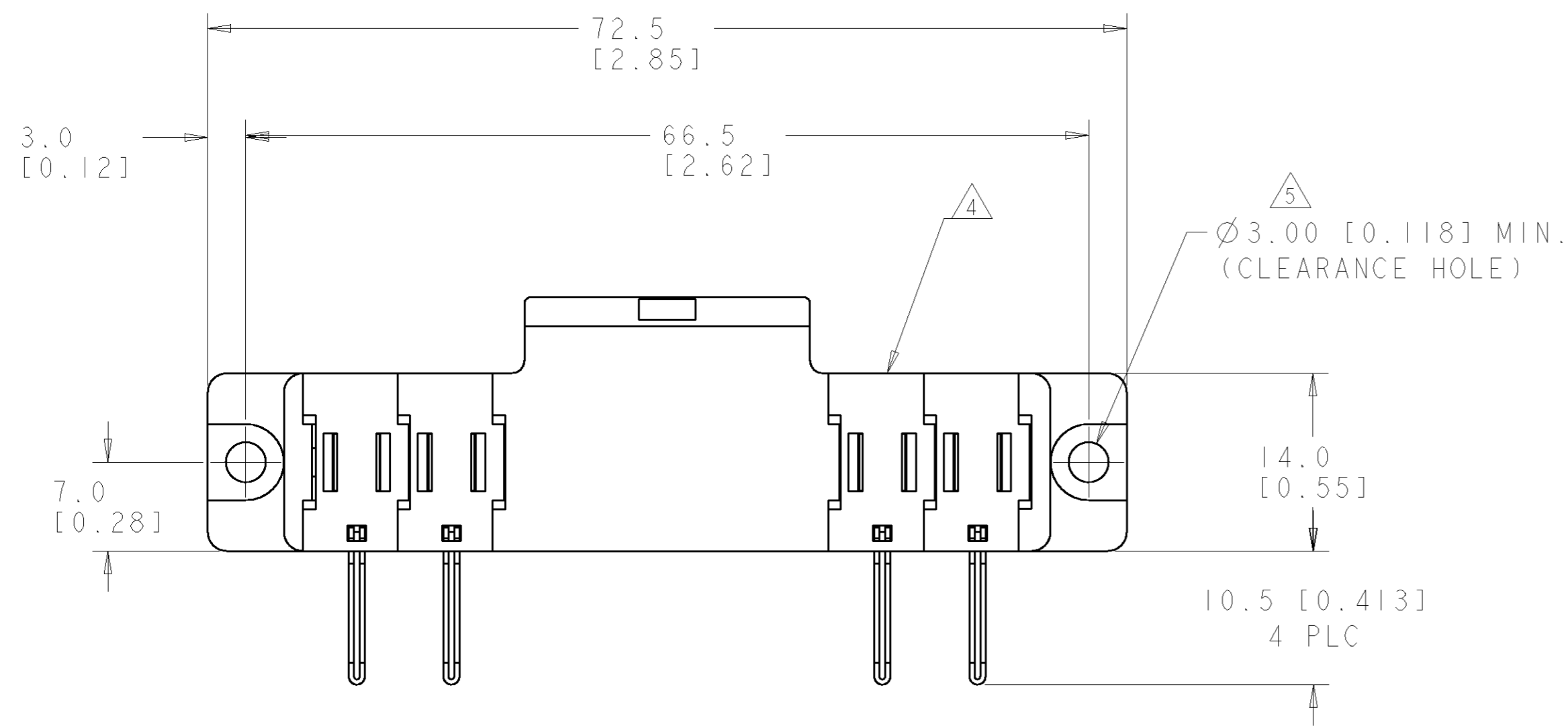


THIS DRAWING IS UNPUBLISHED. RELEASED FOR PUBLICATION 20
 © COPYRIGHT 20 BY TYCO ELECTRONICS CORPORATION. ALL RIGHTS RESERVED.

LOC	DIST	REVISIONS					
GP	00	P	LTR	DESCRIPTION	DATE	DWN	APVD
			A	RELEASED	01AUG06	RG	DO



1. PART NUMBER CHANGES AND OR DESIGN CHANGES AFFECTING ITEM INTERCHANGEABILITY REQUIRE PRIOR TYCO APPROVAL AND AUTHORIZATION BY REVISION TO THIS DRAWING.

2. MATERIAL:
 INSULATORS - THERMOPLASTIC, GLASS REINFORCED, COLOR: BLACK
 UL94V-0 FLAMMABILITY RATED.
 POWER CONTACTS - PHOSPHOR BRONZE ALLOY, COPPER ALLOY
 SIGNAL CONTACTS - BRASS ALLOY

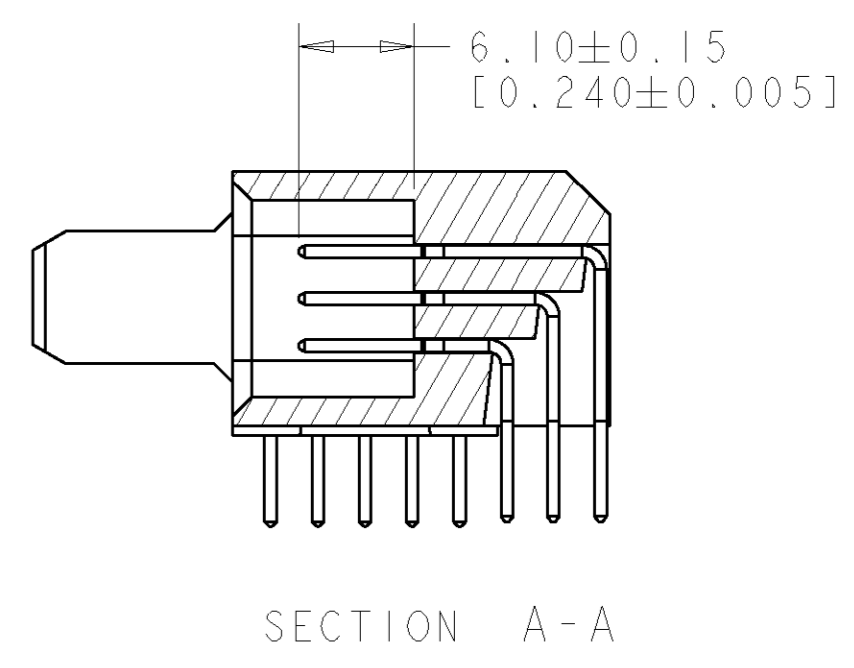
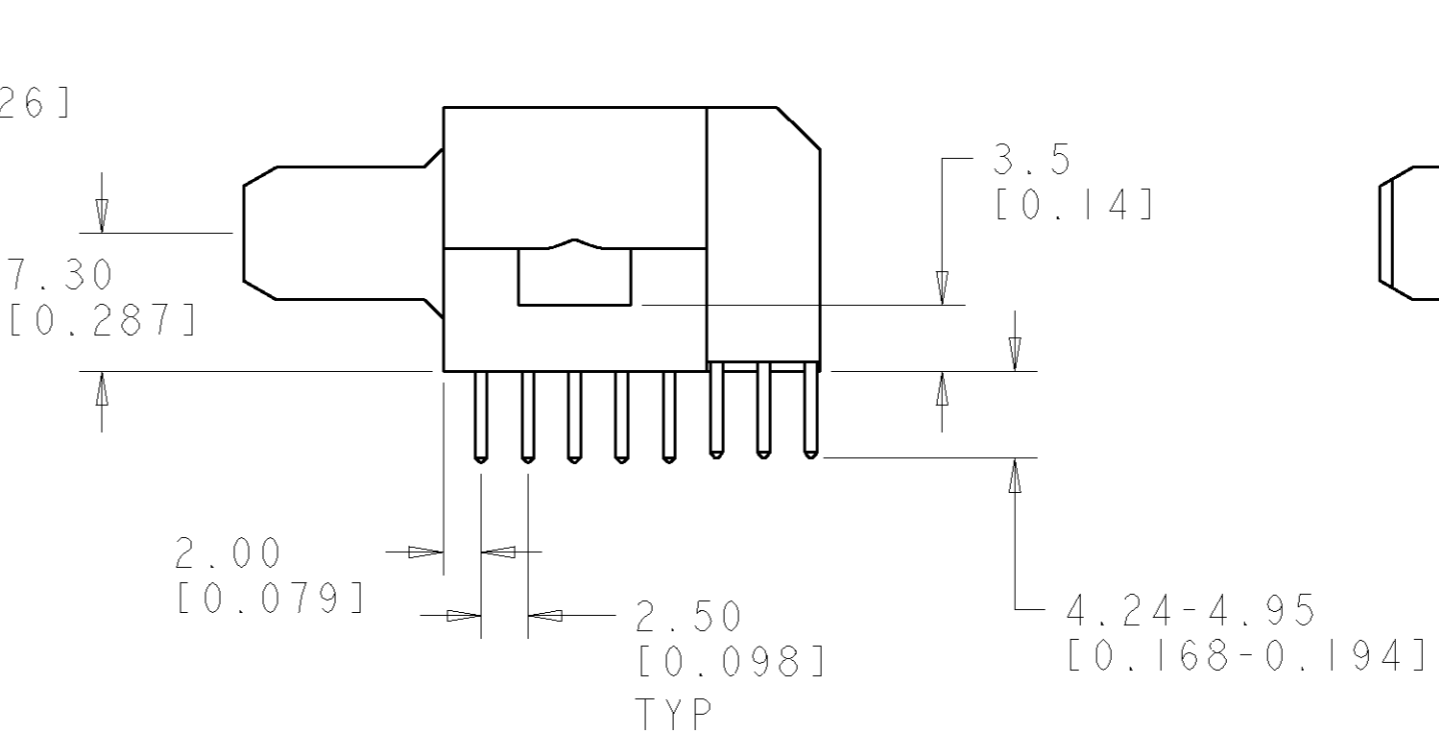
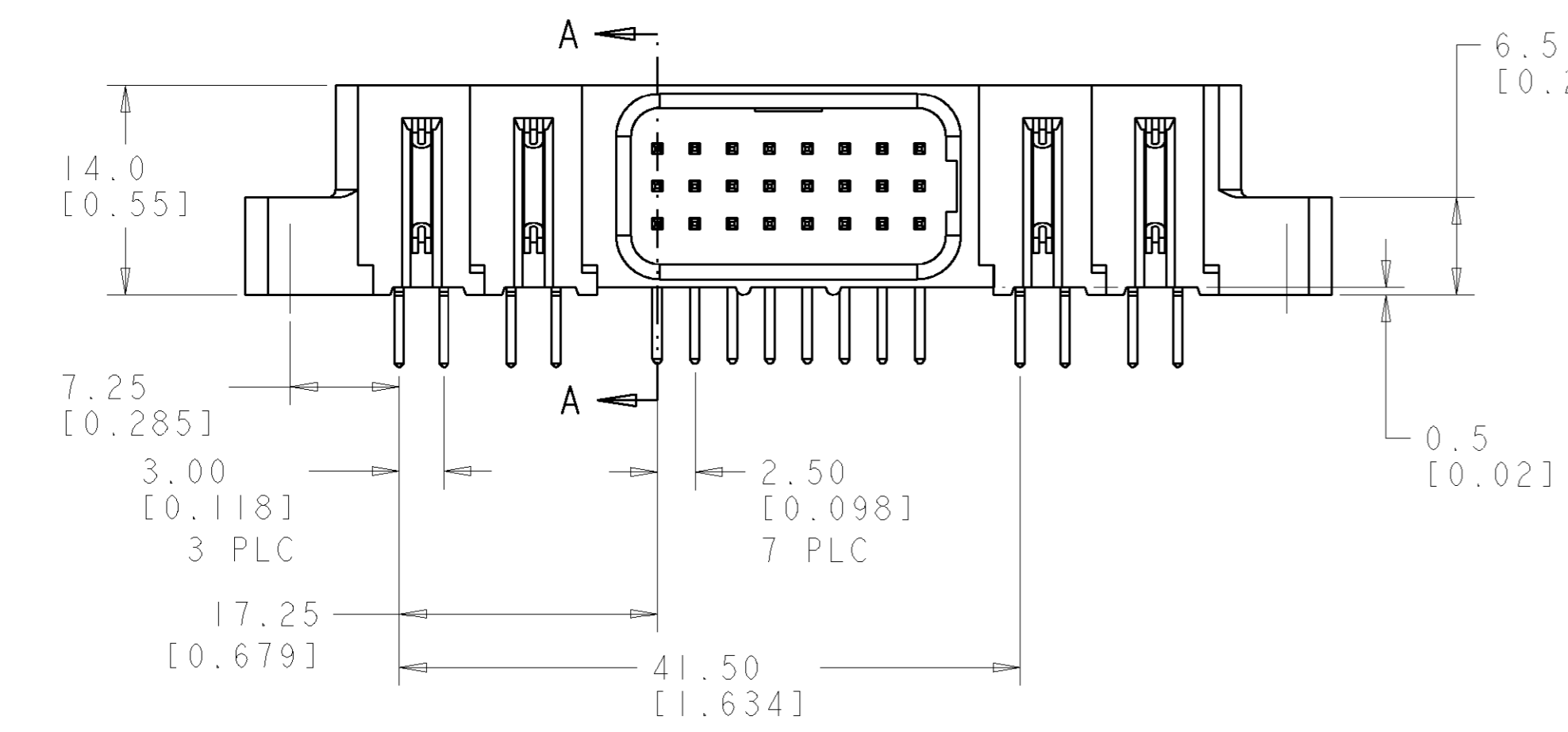
3. FINISH:
 CONTACTS - GOLD PLATE .000030 INCH MIN. THK. OVER NICKEL
 .000050 INCH MIN. THK. SOLDER TAILS,
 TIN .000100 INCH MIN. THK. OVER
 .000050 MIN. THK. NICKEL.

4. ITEMS PROVIDED TO THIS SPECIFICATION TO BE PERMANENTLY IDENTIFIED PER THE FOLLOWING IDENTIFIER LABEL

YEAR WEEK
 TYCO PART NO. XXXXXXXX-X DATE CODE (e.g. 0106) XXXX

5. MOUNTING FLANGES ACCEPT M3 OR NO.4 SCREWS, (USER SUPPLIED)

6. ELCON REFERENCE PART NUMBER DESIGNATION: 279-0088-10100A

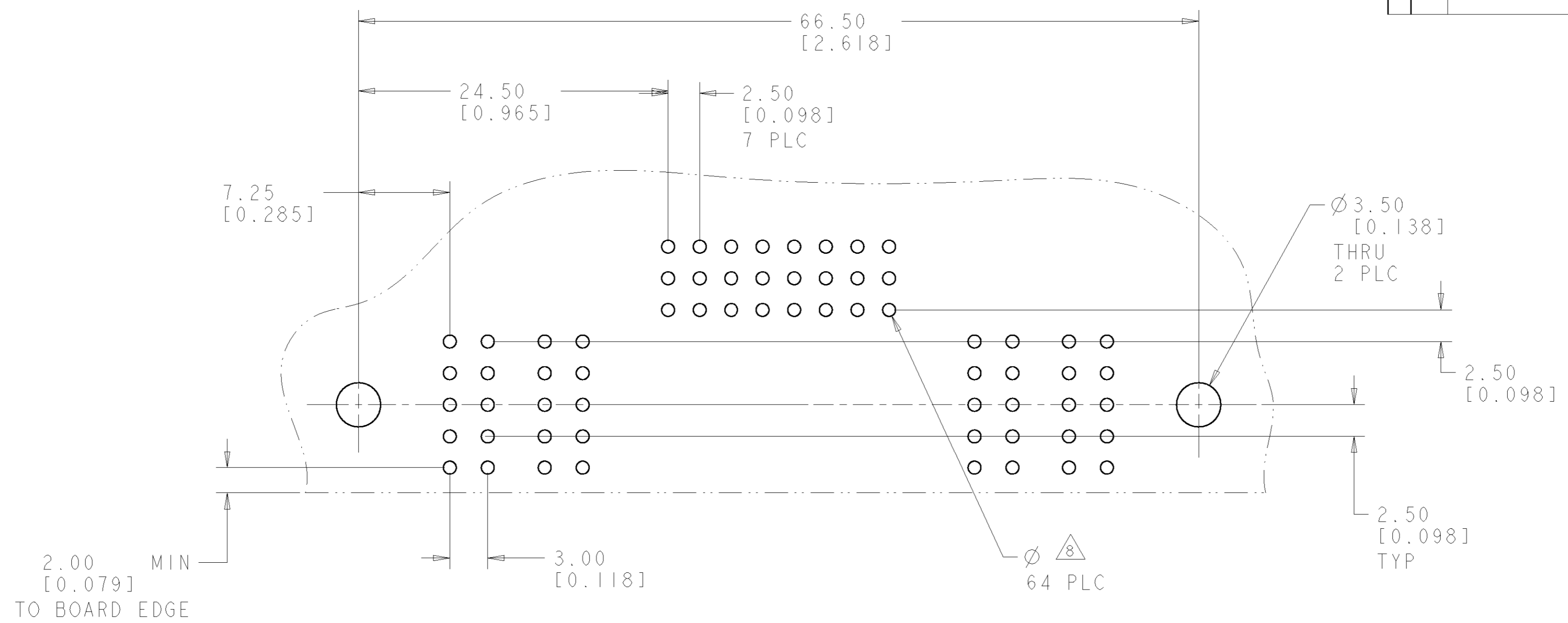


ELCON FLATPAQ

THIS DRAWING IS A CONTROLLED DOCUMENT FOR TYCO ELECTRONICS CORPORATION. IT IS SUBJECT TO CHANGE AND THE CONTROLLING ENGINEERING ORGANIZATION SHOULD BE CONTACTED FOR THE LATEST REVISION.		DWN R. GRZYBOWSKI 01AUG06	AS SHOWN	6646685-1
DIMENSIONS: mm [INCHES]		CHK D. ORRIS 01AUG06	DESCRIPTION	PART NUMBER
TOLERANCES UNLESS OTHERWISE SPECIFIED:		APVD S. FLICKINGER 01AUG06	CONNECTOR, PIN, RIGHT ANGLE STANDARD, SOLDER TAILS FLATPAQ	
0 PLC ± .5 [0.020]		PRODUCT SPEC -	SIZE A2	CAGE CODE 00779
1 PLC ± .25 [0.010]		APPLICATION SPEC -	DRAWING NO. 6646685	RESTRICTED TO -
2 PLC ± .25 [0.010]		WEIGHT -	SCALE 3:1 SHEET 1 OF 3 REV A	
3 PLC ± .25 [0.010]		CUSTOMER DRAWING		
4 PLC ± .25 [0.010]				
ANGLES ± 5				
FINISH -				

THIS DRAWING IS UNPUBLISHED. RELEASED FOR PUBLICATION 20
 © COPYRIGHT 20 BY TYCO ELECTRONICS CORPORATION. ALL RIGHTS RESERVED.

LOC	DIST	REVISIONS			
P	LTR	DESCRIPTION	DATE	DWN	APVD
GP	00	-	SEE SHEET 1	-	-



PRINTED CIRCUIT LAYOUT
 COMPONENT SIDE

CONNECTOR	CATALOG MODULE #	QTY	SIZE NO.	CONTACT QTY	MATING PIN	MAX. CURRENT (PER CONTACT)	CONTACT SPACING	VOLTAGE RATING
PIN	FP105	4	8	4	1.25 X 7.00 [.049 X .276]	35 amps	7.50 [0.2953]	250
	FP302	1	22	24	.64 SQ. [.025]	3 amps	2.50 [0.0984]	125
	FP0500	1	LEFT MOUNTING FLANGE					
	FP0501	1	RIGHT MOUNTING FLANGE					

ELCON FLATPAQ

THIS DRAWING IS A CONTROLLED DOCUMENT FOR TYCO ELECTRONICS CORPORATION. IT IS SUBJECT TO CHANGE AND THE CONTROLLING ENGINEERING ORGANIZATION SHOULD BE CONTACTED FOR THE LATEST REVISION.

DWN: R. GRZYBOWSKI 01AUG06
 CHK: D. ORRIS 01AUG06
 APVD: S. FLICKINGER 01AUG06

tyco Electronics
 Harrisburg, PA 17105-3608

NAME: CONNECTOR, PIN, RIGHT ANGLE STANDARD, SOLDER TAILS FLATPAQ

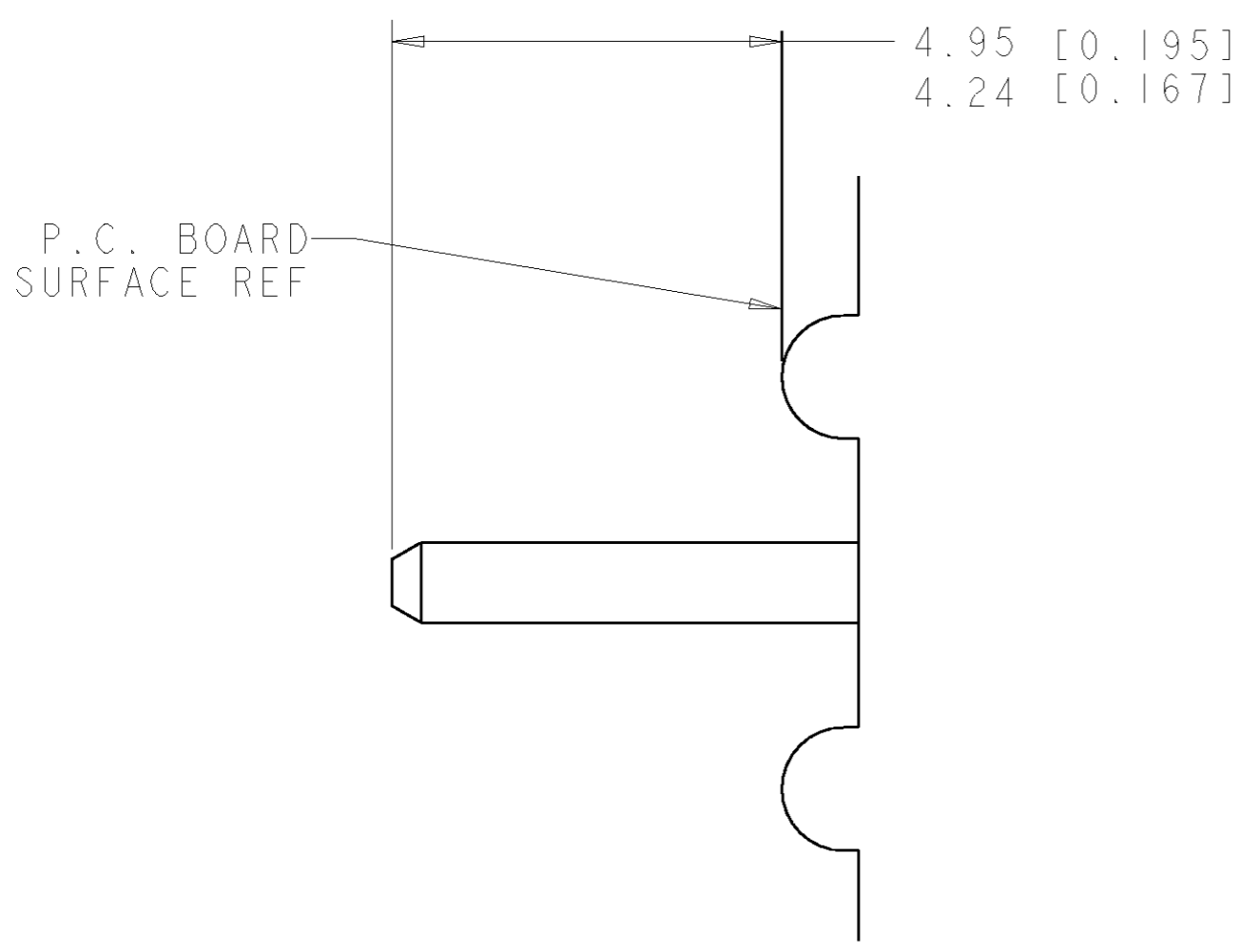
SIZE: A2 CAGE CODE: 200779 DRAWING NO: 6646685 RESTRICTED TO: -

MATERIAL: - FINISH: - WEIGHT: -

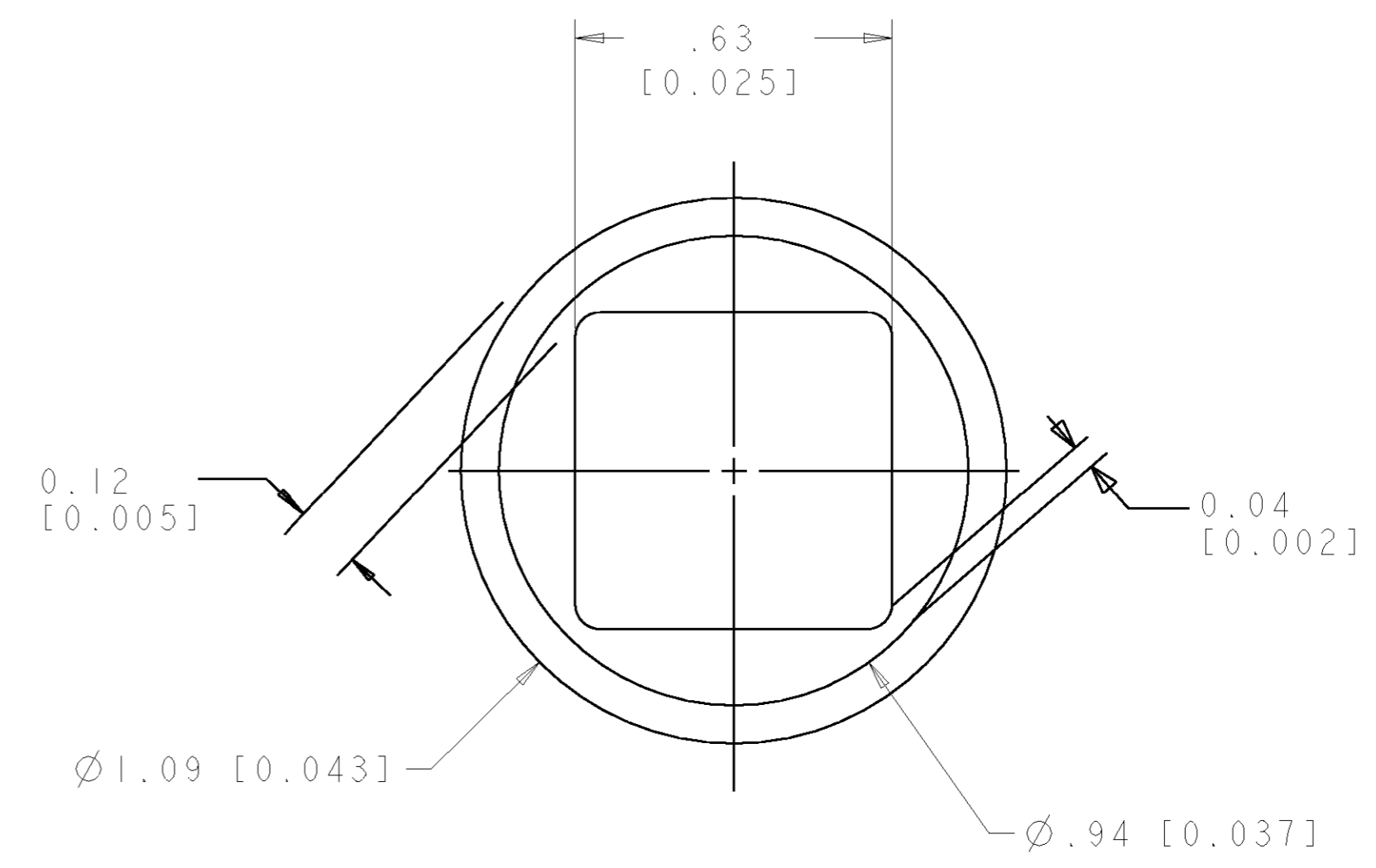
CUSTOMER DRAWING SCALE: 3:1 SHEET 2 OF 3 REV A

THIS DRAWING IS UNPUBLISHED. RELEASED FOR PUBLICATION 20
 © COPYRIGHT 20 BY TYCO ELECTRONICS CORPORATION. ALL RIGHTS RESERVED.

LOC	DIST	REVISIONS			
P	LTR	DESCRIPTION	DATE	DWN	APVD
GP	00	-	SEE SHEET 1	-	-



7. SOLDER TAIL DETAIL
SCALE 10 : 1



8 SOLDER TERMINATION AREA
SCALE 40:1

RECOMMENDED PRINTED CIRCUIT HOLE
SOLDER HOLE
FINISHED HOLE: Ø1.02 [.040] ±.008 [.0003]
DRILLED HOLE: Ø1.15 [.0453] ±.013 [.0005]
COPPER PLATE: .025 [.0010] MIN
TIN PLATE: .008 [.0003] MIN. (PER SURFACE)

ELCON **FLATPAQ**

<small>THIS DRAWING IS A CONTROLLED DOCUMENT FOR TYCO ELECTRONICS CORPORATION IT IS SUBJECT TO CHANGE AND THE CONTROLLING ENGINEERING ORGANIZATION SHOULD BE CONTACTED FOR THE LATEST REVISION.</small>		DWN R. GRZYBOWSKI 01AUG06 CHK D. ORRIS 01AUG06 APVD S. FLICKINGER 01AUG06	tyco Tyco Electronics Electronics Harrisburg, PA 17105-3608
DIMENSIONS: mm [INCHES]	TOLERANCES UNLESS OTHERWISE SPECIFIED: 0 PLC ±- 1 PLC ±.5 [.020] 2 PLC ±.25 [.010] 3 PLC ±- 4 PLC ±- ANGLES ±.5 FINISH	NAME PRODUCT SPEC APPLICATION SPEC WEIGHT	NAME CONNECTOR, PIN, RIGHT ANGLE STANDARD, SOLDER TAILS FLATPAQ SIZE CAGE CODE DRAWING NO RESTRICTED TO A200779 C-6646685 -
MATERIAL -		CUSTOMER DRAWING	
		SCALE 3:1	SHEET 3 OF 3 REV A