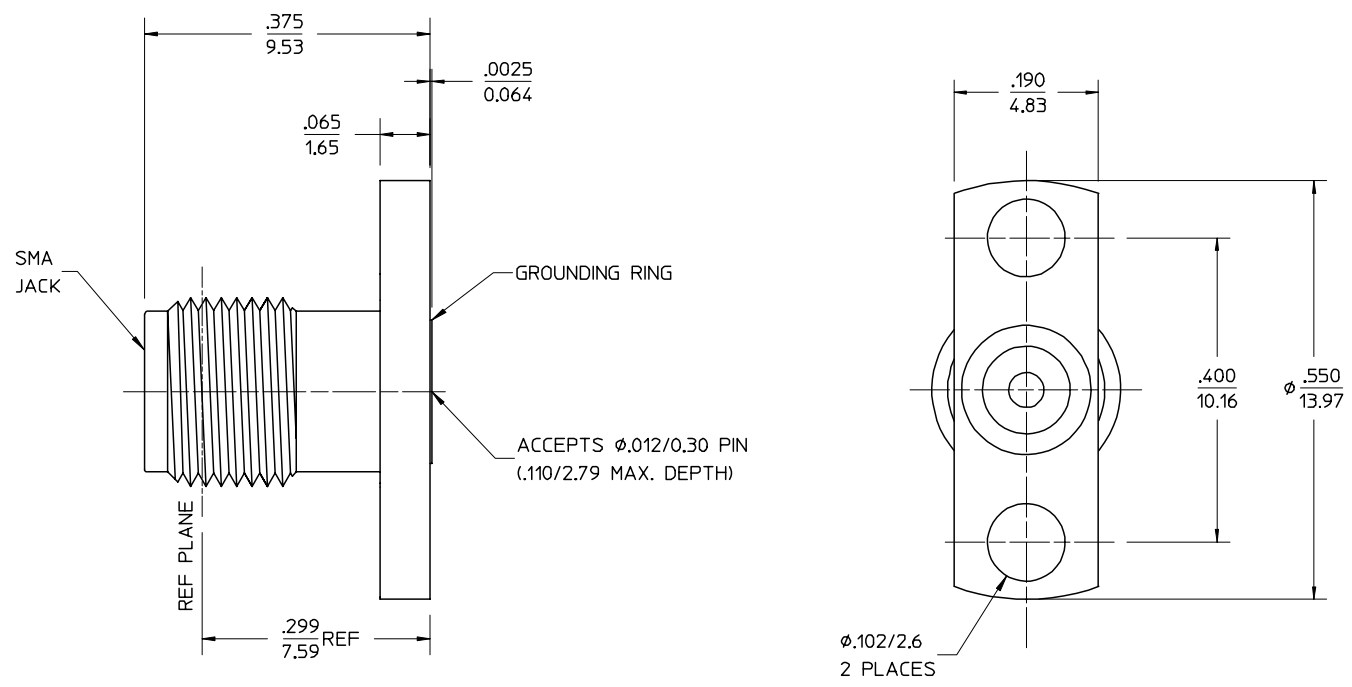


MATERIALS AND FINISHES:  
 BODY STAINLESS STEEL  
 PASSIVATED  
  
 CENTER CONTACT BERYLLIUM COPPER  
 PLATED GOLD  
  
 INSULATOR TEFLON



PART # 73251-1020

MIL-STD-348, FIGURE 310-2	INTERFACE
PS-89675-2910	ELECTRO/MECH PERFORMANCE
SPECIFICATION	DESCRIPTION

CHG: NEW RELEASE	EC NO. URF-0233	DESCRIPTION	UNLESS OTHERWISE SPECIFIED DIMS ARE INCHES AND ANGLES ARE DEGREES. 1. ✓ 63 ALL OVER. 2. NO CHATTER OR NON-UNIFORM SURFACE FINISH ALLOWED. 3. PARTS TO BE FREE OF BURRS & SHARP EDGES .005 MAX BREAK. 4. EXTERNAL THREADS TO BE ROLLED OR SINGLE POINT. 5. DIAMETERS TO BE CONCENTRIC WITHIN .003 TIR.
	DRWN: TEF 06/21/99		
	CHK: DHG 06/21/99		
	APPR: GMH 06/21/99		
A			

UNLESS OTHERWISE SPECIFIED DIMS ARE INCHES AND ANGLES ARE DEGREES.  
 1. ✓ 63 ALL OVER.  
 2. NO CHATTER OR NON-UNIFORM SURFACE FINISH ALLOWED.  
 3. PARTS TO BE FREE OF BURRS & SHARP EDGES .005 MAX BREAK.  
 4. EXTERNAL THREADS TO BE ROLLED OR SINGLE POINT.  
 5. DIAMETERS TO BE CONCENTRIC WITHIN .003 TIR.

QUALITY SYMBOLS	GENERAL TOLERANCES: (UNLESS SPECIFIED)	SCALE	DESIGN UNITS	THIRD ANGLE PROJECTION	DIMENSIONS:
MAJOR	mm INCH	—	mm <input checked="" type="checkbox"/> INCH	<input type="checkbox"/> mm <input checked="" type="checkbox"/> INCH	<input type="checkbox"/> mm ONLY
CRITICAL	4 PLACES ± .0005				
	3 PLACES ± .005				
	2 PLACES ± .01				
	1 PLACE ± .1				
	ANGULAR: ±2°				
	DRAFT WHERE APPLICABLE MUST REMAIN WITHIN DIMENSIONS				

DRAWN BY & DATE	EDC 02/19/99	TITLE:	SMA JACK, RECEPTACLE, 2 HOLE FLANGE MOUNT, ACCEPTS .012 DIA PIN SMA-JR/F
CHECKED BY & DATE	DHG 02/19/99	MATERIAL NO.	SEE NOTE
APPROVED BY & DATE	GMH 02/19/99	DRAWING NO.	SD-73251-102
CAD FILENAME		SHEET NO.	1 of 1
THIS DRAWING CONTAINS INFORMATION THAT IS PROPRIETARY TO MOLEX INCORPORATED AND SHOULD NOT BE USED WITHOUT WRITTEN PERMISSION.		SIZE	B