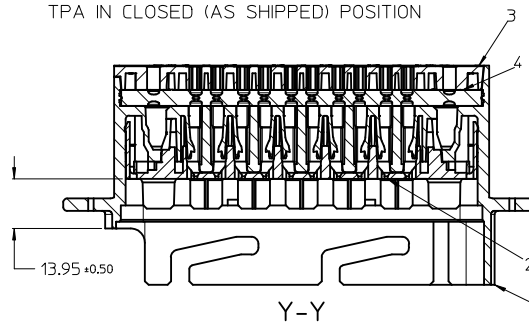
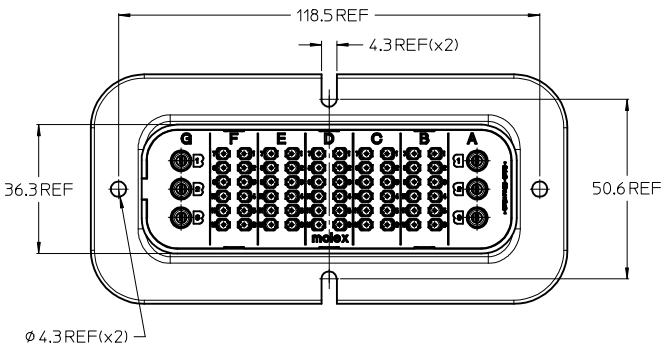
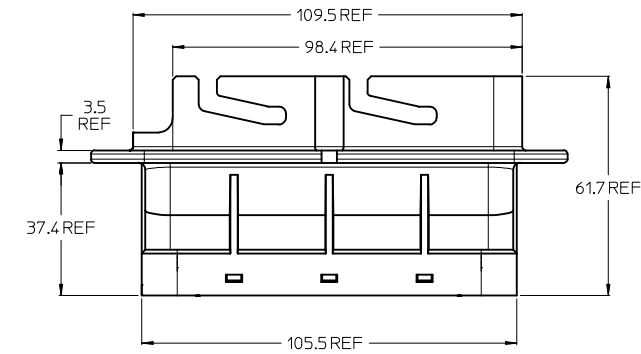


TPA IN CLOSED (AS SHIPPED) POSITION



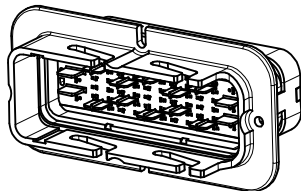
NOTES:

1. MATERIALS:
HOUSINGS: SPS/NYLON BLEND, GLASS FILLED, UL 94 HB
SEAL: SILICONE RUBBER
2. MX150 BLADE TERMINALS PER SD-33000-001 TO BE USED WITH THIS ASSEMBLY IN CAVITIES B, C, D, E AND F CRIMPED WITH CABLE INSULATION OUTER DIAMETER IN THE RANGE 1.5mm TO 2.7mm
3. MX150L BLADE TERMINALS PER SD-19431-00* TO BE USED WITH THIS ASSEMBLY IN CAVITIES A AND G CRIMPED WITH CABLE INSULATION OUTER DIAMETER IN THE RANGE 3.0mm TO 5.0mm
4. PRODUCT SPECIFICATION: PS-85083-001
5. PACKAGING SPECIFICATION: PK-85071-001
6. MATES WITH: SRC 60+6AG POWER RECEPTACLE HOUSING ASSEMBLY PART NUMBER 850840700 PER SD-85084-700
7. APPLICATION SPECIFICATION: AS-85083-001
8. FLANGE GASKET OPTIONS: REFER TO SD-85071-016

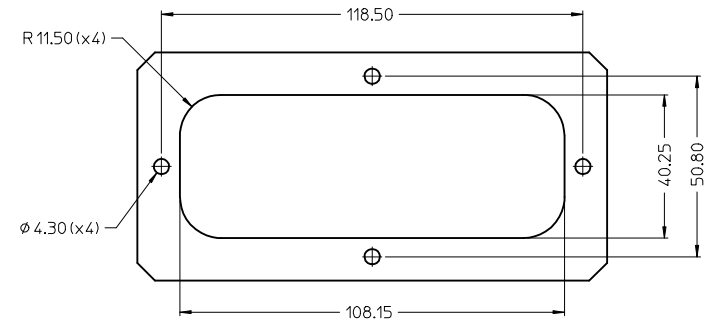


No.	DESCRIPTION	QTY.	COLOUR
4	MALE BACK SEAL	1	RUST RED
3	MALE REAR COVER	1	BLACK
2	MALE FRONT COVER	1	GREEN
1	MALE HOUSING	1	BLACK

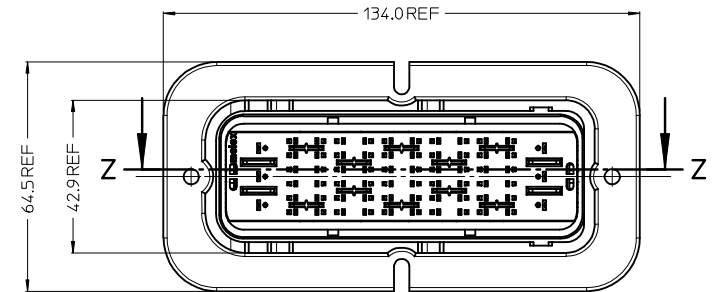
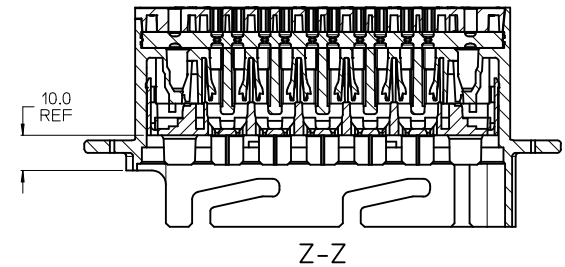
BILL OF MATERIAL



RECOMMENDED PANEL CUTOUT DIMENSIONS

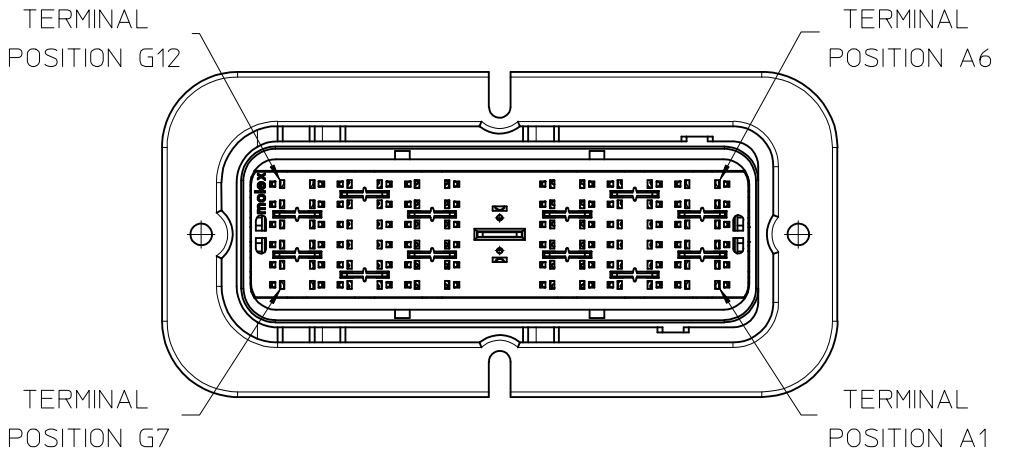
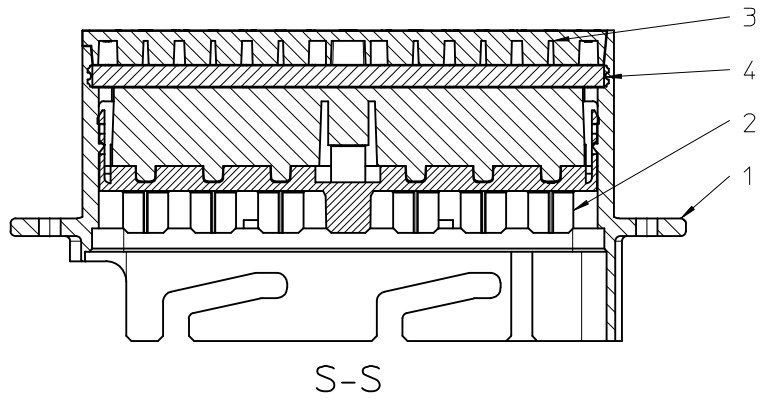


TPA IN PRE-LOAD POSITION



ADD SHEETS 2,688 EC NO: PG2015-0070 DRWN: J WALLACE 2013/12/17 CHKD: SMC GREVY 2014/07/18 APPR: F DUGGAN 2014/07/21	QUALITY SYMBOLS ▽=0 ▽=0	GENERAL TOLERANCES (UNLESS SPECIFIED)		DIMENSION STYLE MM ONLY	SCALE 1:1	DESIGN UNITS METRIC	THIRD ANGLE PROJECTION	
		4 PLACES ± --- + --- 3 PLACES ± --- + --- 2 PLACES ± 0.20 + --- 1 PLACE ± 0.5 + --- 0 PLACE ± --- + ---	mm INCH ± --- ± --- ± 0.20 ± --- ± 0.5 ± --- ± --- ± ---	DRAWN BY TVOGT	DATE 2009/03/26	TITLE SRC MIXED POWER MALE BLADE HOUSING ASSEMBLY		
		ANGULAR ± .5 °		CHECKED BY RSILLER	DATE 2009/03/30			
		DRAFT WHERE APPLICABLE MUST REMAIN WITHIN DIMENSIONS		APPROVED BY AVOGT	DATE 2009/03/31			
				MATERIAL NO. 850830300	DOCUMENT NO. SD-85083-300	molex		
				SIZE A2	THIS DRAWING CONTAINS INFORMATION THAT IS PROPRIETARY TO MOLEX INCORPORATED AND SHOULD NOT BE USED WITHOUT WRITTEN PERMISSION			
						SHEET NO. 1 OF 8		

10 9 8 7 6 5 4 3 2 1

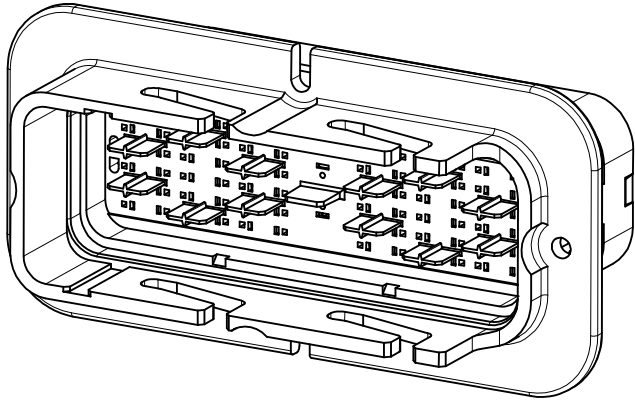


4	MALE BACK SEAL	1	RUST RED
3	MALE REAR COVER	1	BLACK
2	MALE FRONT COVER	1	GREEN
1	MALE HOUSING	1	BLACK
No.	DESCRIPTION	QTY.	COLOUR

BILL OF MATERIAL

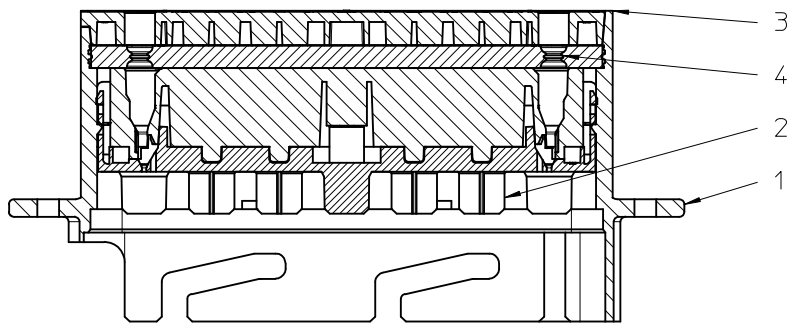
NOTES:

1. REFERENCE SHEET 1 FOR UNSPECIFIED NOTES AND DIMENSIONS
2. MX150 BLADE TERMINALS PER SD-33000-001 TO BE USED WITH THIS ASSEMBLY IN CAVITIES A, B, C, E, F AND G CRIMPED WITH CABLE INSULATION OUTER DIAMETER IN THE RANGE 1.5mm TO 2.7mm
3. MX150L BLADE TERMINALS PER SD-19431-00* TO BE USED WITH THIS ASSEMBLY IN CAVITY D CRIMPED WITH CABLE INSULATION OUTER DIAMETER IN THE RANGE 3.0mm TO 5.0mm
4. MATES WITH: SRC 72+2D POWER RECEPTACLE HOUSING ASSEMBLY PART NUMBER 850847202 PER SD-85084-700

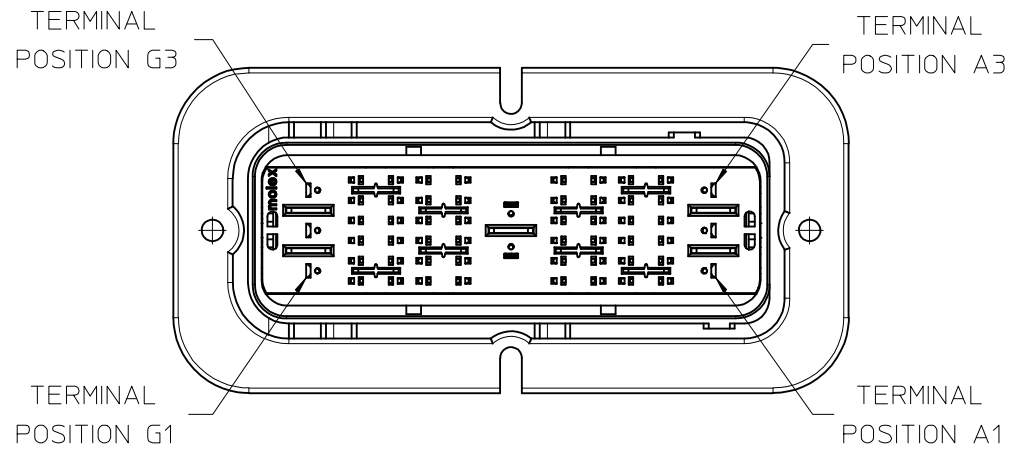


SEE SHEET ONE EC NO: IPG2015-0070 DRWN: J WALLACE 2013/12/17 CHKD: SMCREEVEY 2014/07/18 APPR: EDUGGAN 2014/10/12	QUALITY SYMBOLS	GENERAL TOLERANCES (UNLESS SPECIFIED)	DIMENSION STYLE	SCALE	DESIGN UNITS	THIRD ANGLE PROJECTION	
	▽=0 ∇=0	mm INCH	MM ONLY	1:1	METRIC		
		4 PLACES ± --- ± --- 3 PLACES ± --- ± --- 2 PLACES ± 0.20 ± --- 1 PLACE ± 0.5 ± --- 0 PLACE ± --- ± ---	DRAWN BY TVOGT DATE 2009/03/26 CHECKED BY RSILLER DATE 2009/03/30 APPROVED BY AVOGT DATE 2009/03/31	TITLE	SRC MIXED POWER MALE BLADE HOUSING ASSEMBLY		
		ANGULAR ± .5 ° DRAFT WHERE APPLICABLE MUST REMAIN WITHIN DIMENSIONS	MATERIAL NO. 850837202	DOCUMENT NO. SD-85083-300	SHEET NO. 2 OF 8		
		SIZE A3	THIS DRAWING CONTAINS INFORMATION THAT IS PROPRIETARY TO MOLEX INCORPORATED AND SHOULD NOT BE USED WITHOUT WRITTEN PERMISSION				

9 8 7 6 5 4 3 2 1

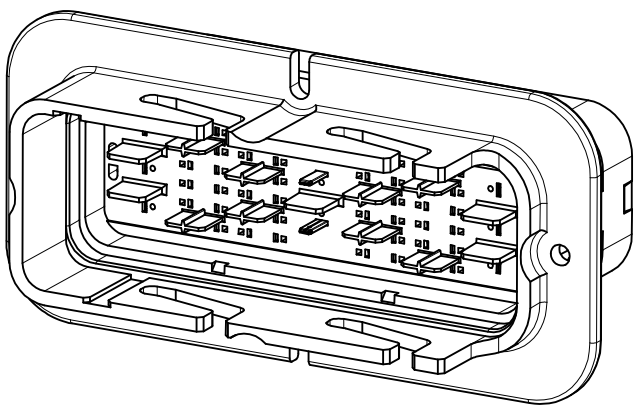
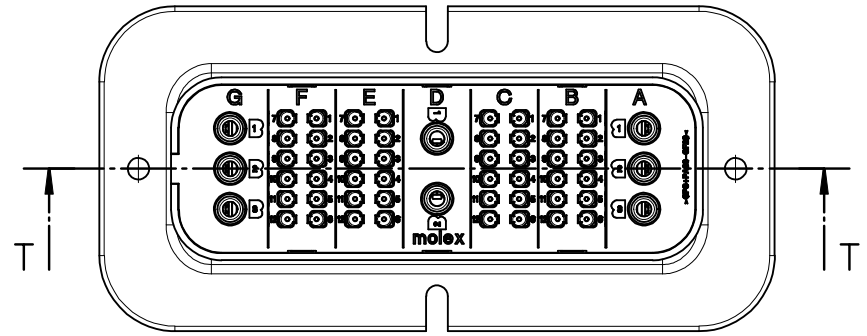


T-T



4	MALE BACK SEAL	1	RUST RED
3	MALE REAR COVER	1	BLACK
2	MALE FRONT COVER	1	GREEN
1	MALE HOUSING	1	BLACK
No.	DESCRIPTION	QTY.	COLOUR

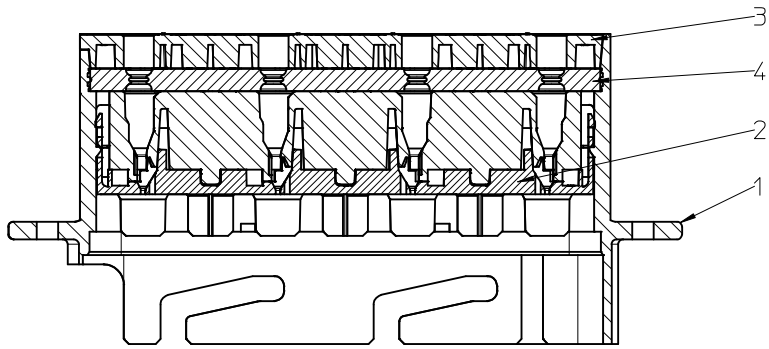
BILL OF MATERIAL



NOTES:

1. REFERENCE SHEET 1 FOR UNSPECIFIED NOTES AND DIMENSIONS
2. MX150 BLADE TERMINALS PER SD-33000-001 TO BE USED WITH THIS ASSEMBLY IN CAVITIES B, C, E AND F CRIMPED WITH CABLE INSULATION OUTER DIAMETER IN THE RANGE 1.5mm TO 2.7mm
3. MX150L BLADE TERMINALS PER SD-19431-00* TO BE USED WITH THIS ASSEMBLY IN CAVITIES A, D AND G, CRIMPED WITH CABLE INSULATION OUTER DIAMETER IN THE RANGE 3.0mm TO 5.0mm
4. MATES WITH: SRC 48+8ADG POWER RECEPTACLE HOUSING ASSEMBLY PART NUMBER 850844808 PER SD-85084-700

SEE SHEET ONE EC NO: IPG2015-0070 DRWN: J WALLACE 2013/12/17 CHKD: SMCREEVY 2014/07/18 APPR: EDUGGAN 2014/10/21	QUALITY SYMBOLS	GENERAL TOLERANCES (UNLESS SPECIFIED)	DIMENSION STYLE MM ONLY	SCALE 1:1	DESIGN UNITS METRIC	THIRD ANGLE PROJECTION	
	▽=0 ∇=0	mm INCH	DRAWN BY TVOGT	DATE 2009/03/26	TITLE SRC MIXED POWER MALE BLADE HOUSING ASSEMBLY		
		4 PLACES ± --- ± --- 3 PLACES ± --- ± --- 2 PLACES ± 0.20 ± --- 1 PLACE ± 0.5 ± --- 0 PLACE ± --- ± ---	APPROVED BY AVOGT	DATE 2009/03/31	MATERIAL NO. 850834808		DOCUMENT NO. SD-85083-300
		ANGULAR ± .5 ° DRAFT WHERE APPLICABLE MUST REMAIN WITHIN DIMENSIONS	SIZE A3	THIS DRAWING CONTAINS INFORMATION THAT IS PROPRIETARY TO MOLEX INCORPORATED AND SHOULD NOT BE USED WITHOUT WRITTEN PERMISSION			

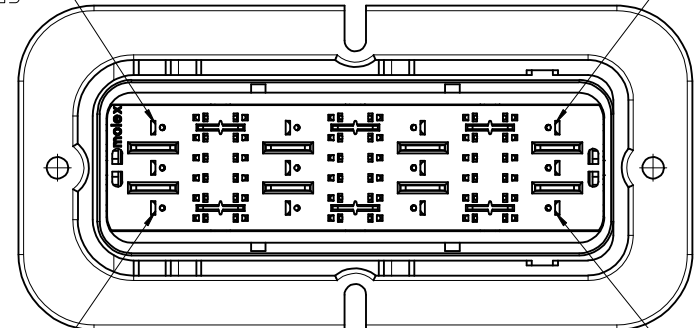


W-W

4	MALE BACK SEAL	1	RUST RED
3	MALE REAR COVER	1	BLACK
2	MALE FRONT COVER	1	GREEN
1	MALE HOUSING	1	BLACK
No.	DESCRIPTION	QTY.	COLOUR
BILL OF MATERIAL			

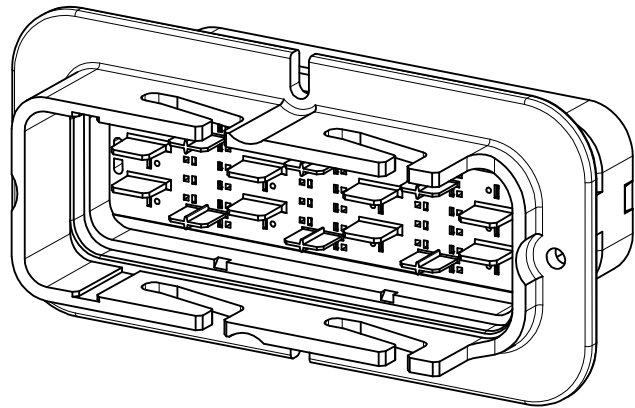
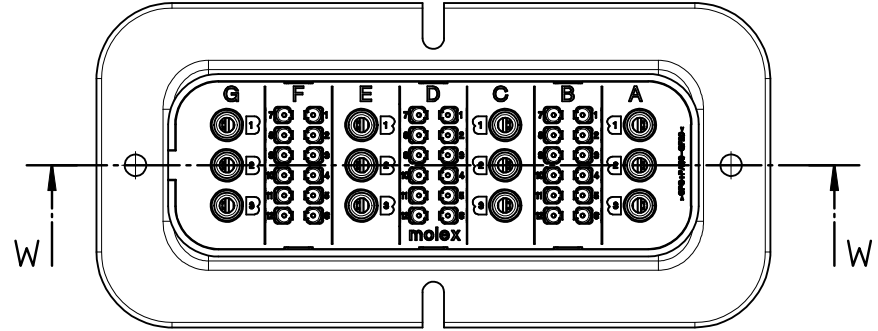
TERMINAL POSITION G3

TERMINAL POSITION A3



TERMINAL POSITION G1

TERMINAL POSITION A1

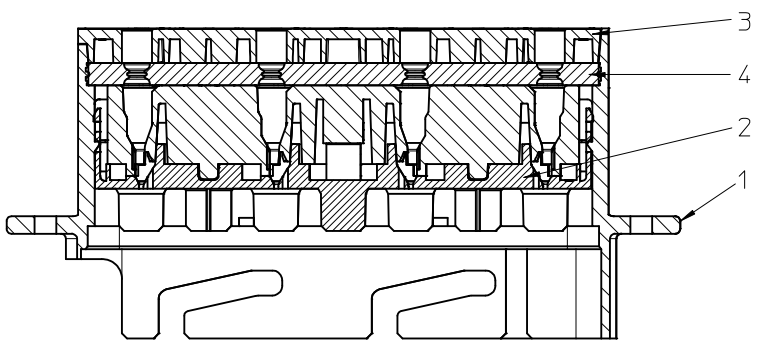


NOTES:

1. REFERENCE SHEET 1 FOR UNSPECIFIED NOTES AND DIMENSIONS
2. MX150 BLADE TERMINALS PER SD-33000-001 TO BE USED WITH THIS ASSEMBLY IN CAVITIES B, D AND F CRIMPED WITH CABLE INSULATION OUTER DIAMETER IN THE RANGE 1.5mm TO 2.7mm
3. MX150L BLADE TERMINALS PER SD-19431-00* TO BE USED WITH THIS ASSEMBLY IN CAVITIES A, C, E AND G, CRIMPED WITH CABLE INSULATION OUTER DIAMETER IN THE RANGE 3.0mm TO 5.0mm
4. MATES WITH: SRC 36+12ACEG POWER RECEPTACLE HOUSING ASSEMBLY PART NUMBER 850843612 PER SD-85084-700

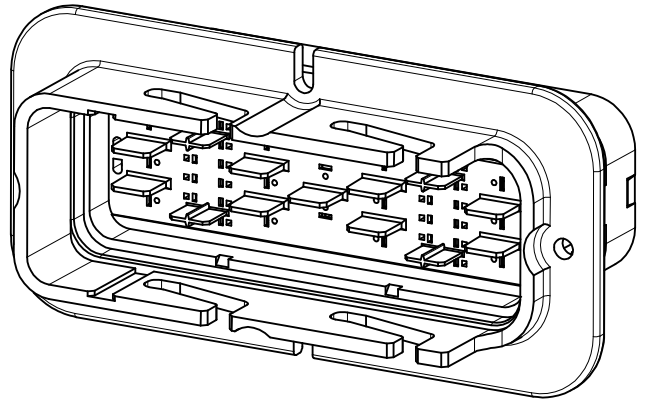
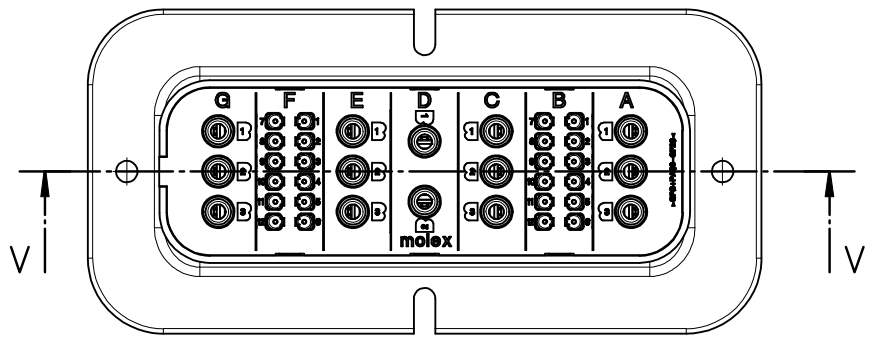
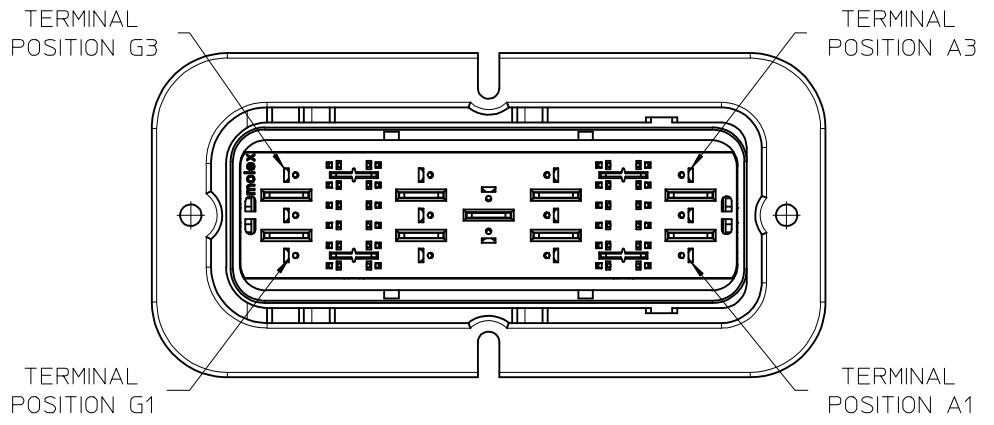
SEE SHEET ONE EC NO: IPG2015-0070 DRWN: J WALLACE 2013/12/17 CHKD: SMC GREEVY 2014/07/18 APPR: F DUGGAN 2014/07/21	QUALITY SYMBOLS	GENERAL TOLERANCES (UNLESS SPECIFIED)		DIMENSION STYLE MM ONLY		SCALE 1:1	DESIGN UNITS METRIC	THIRD ANGLE PROJECTION
	▽=0 ◻=0	mm	INCH	DRAWN BY TVOGT	DATE 2009/03/26	TITLE SRC MIXED POWER MALE BLADE HOUSING ASSEMBLY		
		4 PLACES ± --- ± ---	3 PLACES ± --- ± ---	CHECKED BY RSILLER	DATE 2009/03/30	MATERIAL NO. 850833612		
		2 PLACES ± 0.20 ± ---	1 PLACE ± 0.5 ± ---	APPROVED BY AVOGT	DATE 2009/03/31	DOCUMENT NO. SD-85083-300	SHEET NO. 4 OF 8	
		0 PLACE ± --- ± ---	ANGULAR ± .5 °		THIS DRAWING CONTAINS INFORMATION THAT IS PROPRIETARY TO MOLEX INCORPORATED AND SHOULD NOT BE USED WITHOUT WRITTEN PERMISSION			
		DRAFT WHERE APPLICABLE MUST REMAIN WITHIN DIMENSIONS		SIZE A3				

10 9 8 7 6 5 4 3 2 1



V-V

4	MALE BACK SEAL	1	RUST RED
3	MALE REAR COVER	1	BLACK
2	MALE FRONT COVER	1	GREEN
1	MALE HOUSING	1	BLACK
No.	DESCRIPTION	QTY.	COLOUR
BILL OF MATERIAL			



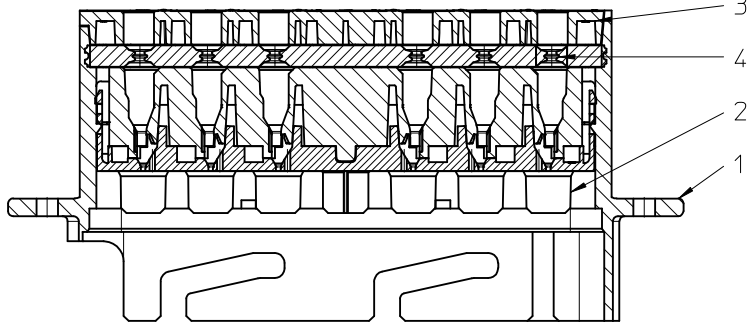
NOTES:

1. REFERENCE SHEET 1 FOR UNSPECIFIED NOTES AND DIMENSIONS
2. MX150 BLADE TERMINALS PER SD-33000-001 TO BE USED WITH THIS ASSEMBLY IN CAVITIES B AND F CRIMPED WITH CABLE INSULATION OUTER DIAMETER IN THE RANGE 1.5mm TO 2.7mm
3. MX150L BLADE TERMINALS PER SD-19431-00* TO BE USED WITH THIS ASSEMBLY IN CAVITIES A, C, D, E AND G, CRIMPED WITH CABLE INSULATION OUTER DIAMETER IN THE RANGE 3.0mm TO 5.0mm
4. MATES WITH: SRC 24+14ACDEG POWER RECEPTACLE HOUSING ASSEMBLY PART NUMBER 850842414 PER SD-85084-700

SEE SHEET ONE EC NO: IPG2015-0070 DRWN: J WALLACE 2013/12/17 CHKD: SMC GREEVY 2014/07/18 APPR: F DUGGAN 2014/07/21	QUALITY SYMBOLS	GENERAL TOLERANCES (UNLESS SPECIFIED)	DIMENSION STYLE MM ONLY	SCALE 1:1	DESIGN UNITS METRIC	THIRD ANGLE PROJECTION																													
	▽=0 ∠=0	<table border="1"> <tr> <td></td> <td>mm</td> <td>INCH</td> </tr> <tr> <td>4 PLACES</td> <td>± ---</td> <td>± ---</td> </tr> <tr> <td>3 PLACES</td> <td>± ---</td> <td>± ---</td> </tr> <tr> <td>2 PLACES</td> <td>± 0.20</td> <td>± ---</td> </tr> <tr> <td>1 PLACE</td> <td>± 0.5</td> <td>± ---</td> </tr> <tr> <td>0 PLACE</td> <td>± ---</td> <td>± ---</td> </tr> </table>		mm	INCH	4 PLACES	± ---	± ---	3 PLACES	± ---	± ---	2 PLACES	± 0.20	± ---	1 PLACE	± 0.5	± ---	0 PLACE	± ---	± ---	<table border="1"> <tr> <td>DRAWN BY</td> <td>DATE</td> </tr> <tr> <td>TVOGT</td> <td>2009/03/26</td> </tr> <tr> <td>CHECKED BY</td> <td>DATE</td> </tr> <tr> <td>RSILLER</td> <td>2009/03/30</td> </tr> <tr> <td>APPROVED BY</td> <td>DATE</td> </tr> <tr> <td>AVOGT</td> <td>2009/03/31</td> </tr> </table>	DRAWN BY	DATE	TVOGT	2009/03/26	CHECKED BY	DATE	RSILLER	2009/03/30	APPROVED BY	DATE	AVOGT	2009/03/31	TITLE	
		mm	INCH																																
	4 PLACES	± ---	± ---																																
3 PLACES	± ---	± ---																																	
2 PLACES	± 0.20	± ---																																	
1 PLACE	± 0.5	± ---																																	
0 PLACE	± ---	± ---																																	
DRAWN BY	DATE																																		
TVOGT	2009/03/26																																		
CHECKED BY	DATE																																		
RSILLER	2009/03/30																																		
APPROVED BY	DATE																																		
AVOGT	2009/03/31																																		
DRAFT WHERE APPLICABLE MUST REMAIN WITHIN DIMENSIONS	ANGULAR ± .5 °	MATERIAL NO. 850832414	DOCUMENT NO. SD-85083-300	SHEET NO. 5 OF 8																															
THIS DRAWING CONTAINS INFORMATION THAT IS PROPRIETARY TO MOLEX INCORPORATED AND SHOULD NOT BE USED WITHOUT WRITTEN PERMISSION																																			

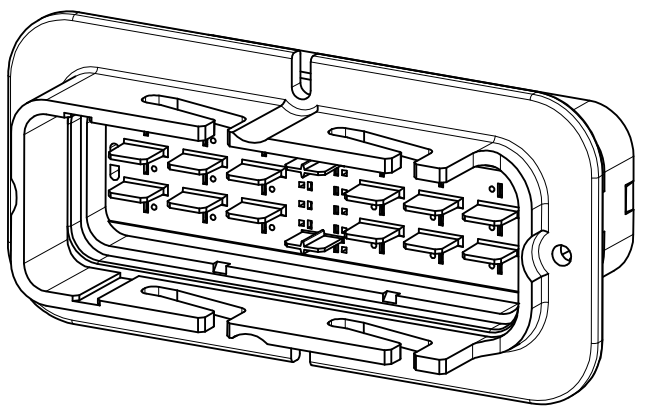
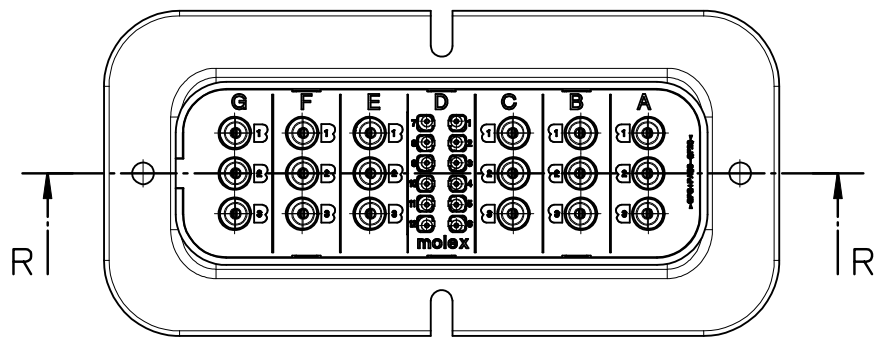
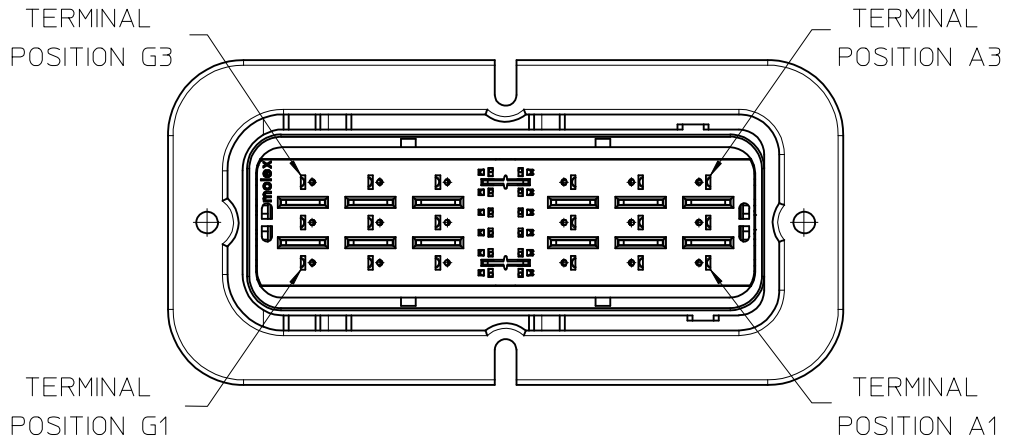
9 8 7 6 5 4 3 2 1

10 9 8 7 6 5 4 3 2 1



R-R

4	MALE BACK SEAL	1	RUST RED
3	MALE REAR COVER	1	BLACK
2	MALE FRONT COVER	1	GREEN
1	MALE HOUSING	1	BLACK
No.	DESCRIPTION	QTY.	COLOUR
BILL OF MATERIAL			



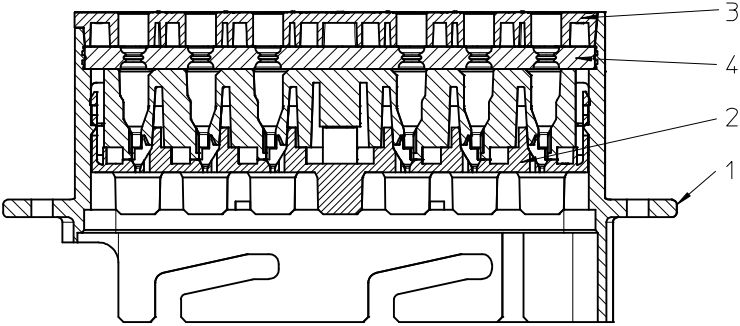
NOTES:

1. REFERENCE SHEET 1 FOR UNSPECIFIED NOTES AND DIMENSIONS
2. MX150 BLADE TERMINALS PER SD-33000-001 TO BE USED WITH THIS ASSEMBLY IN CAVITY D CRIMPED WITH CABLE INSULATION OUTER DIAMETER IN THE RANGE 1.5mm TO 2.7mm
3. MX150L BLADE TERMINALS PER SD-19431-00* TO BE USED WITH THIS ASSEMBLY IN CAVITY A, B, C, E, F AND G CRIMPED WITH CABLE INSULATION OUTER DIAMETER IN THE RANGE 3.0mm TO 5.0mm
4. MATES WITH: SRC 12+18ABCEFG POWER RECEPTACLE HOUSING ASSEMBLY PART NUMBER 850841218 PER SD-85084-700

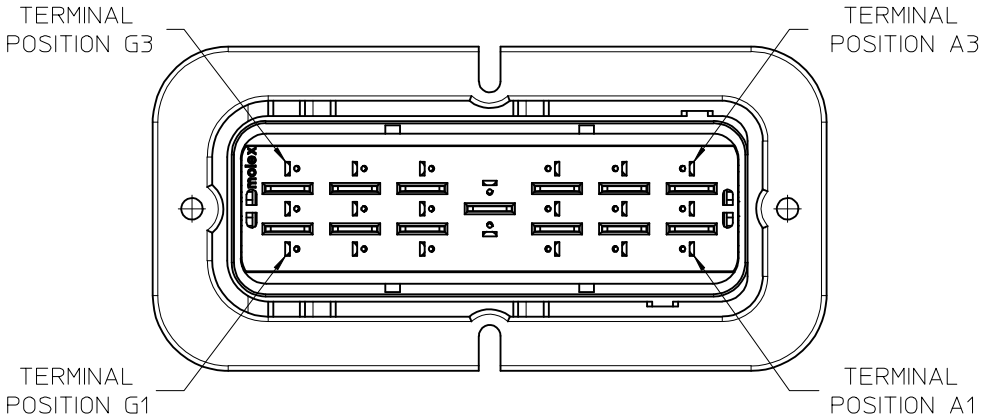
SEE SHEET ONE EC NO: IPG2015-0070 DRWN: J WALLACE 2013/12/17 CHKD: SMC GREEVY 2014/07/18 APPR: F DUGGAN 2014/10/12	QUALITY SYMBOLS	GENERAL TOLERANCES (UNLESS SPECIFIED)		DIMENSION STYLE MM ONLY		SCALE 1:1	DESIGN UNITS METRIC	THIRD ANGLE PROJECTION
	▽=0 ∇=0	mm	INCH	DRAWN BY TVOGT	DATE 2009/03/26	TITLE SRC MIXED POWER MALE BLADE HOUSING ASSEMBLY		
		4 PLACES ± --- ± ---	3 PLACES ± --- ± ---	CHECKED BY RSILLER	DATE 2009/03/30	molex		
		2 PLACES ± 0.20 ± ---	1 PLACE ± 0.5 ± ---	APPROVED BY AVOGT	DATE 2009/03/31			
	0 PLACE ± --- ± ---	ANGULAR ± .5 °		MATERIAL NO. 850831218	DOCUMENT NO. SD-85083-300	SHEET NO. 6 OF 8		
	DRAFT WHERE APPLICABLE MUST REMAIN WITHIN DIMENSIONS		SIZE A3		THIS DRAWING CONTAINS INFORMATION THAT IS PROPRIETARY TO MOLEX INCORPORATED AND SHOULD NOT BE USED WITHOUT WRITTEN PERMISSION			

9 8 7 6 5 4 3 2 1

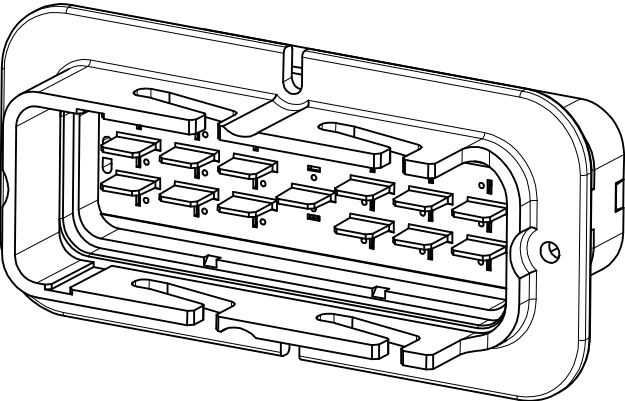
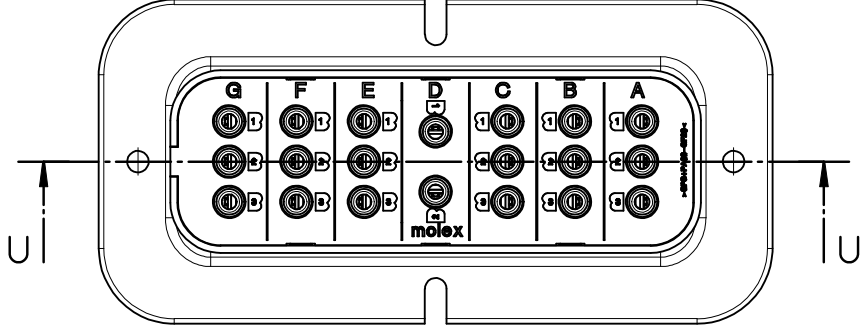
10 9 8 7 6 5 4 3 2 1



U-U



4	MALE BACK SEAL	1	RUST RED
3	MALE REAR COVER	1	BLACK
2	MALE FRONT COVER	1	GREEN
1	MALE HOUSING	1	BLACK
No.	DESCRIPTION	QTY.	COLOUR
BILL OF MATERIAL			

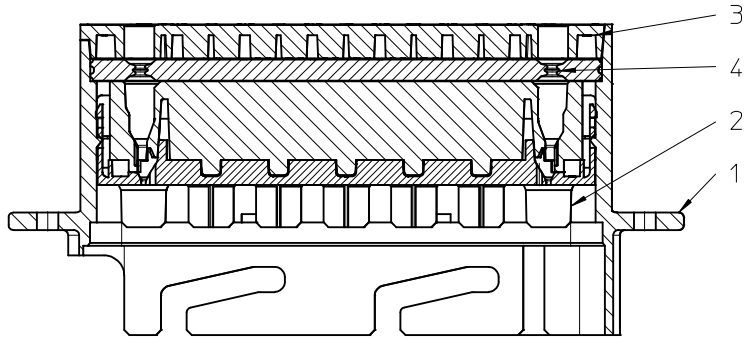


NOTES:

1. REFERENCE SHEET 1 FOR UNSPECIFIED NOTES AND DIMENSIONS
2. MX150L BLADE TERMINALS PER SD-19431-00* TO BE USED WITH THIS ASSEMBLY IN ALL CAVITIES CRIMPED WITH CABLE INSULATION OUTER DIAMETER IN THE RANGE 3.0mm TO 5.0mm
3. MATES WITH: SRC 0+20ABCDEFGH POWER RECEPTACLE HOUSING ASSEMBLY PART NUMBER 850840020 PER SD-85084-700

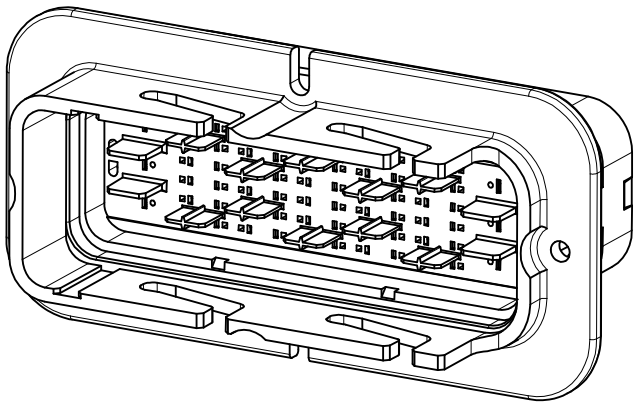
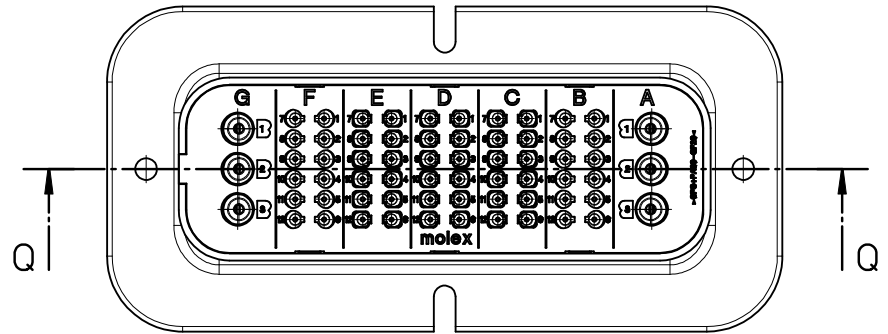
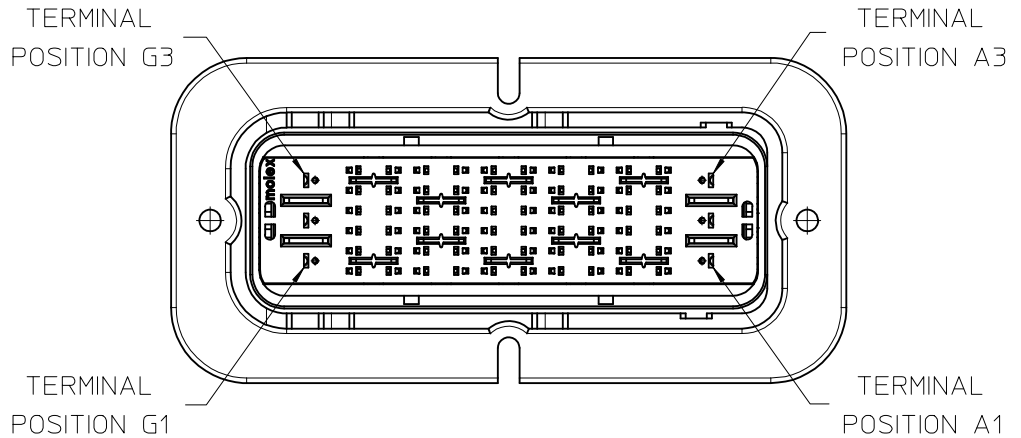
SEE SHEET ONE EC NO: IPG2015-0070 DRWN: J WALLACE 2013/12/17 CHKD: S M GREEVY 2014/07/18 APPR: F DUGGAN 2014/07/21	QUALITY SYMBOLS	GENERAL TOLERANCES (UNLESS SPECIFIED)	DIMENSION STYLE MM ONLY	SCALE 1:1	DESIGN UNITS METRIC	THIRD ANGLE PROJECTION																																	
	▽=0 ◻=0	<table border="1"> <tr> <th></th> <th>mm</th> <th>INCH</th> </tr> <tr> <td>4 PLACES</td> <td>± ---</td> <td>± ---</td> </tr> <tr> <td>3 PLACES</td> <td>± ---</td> <td>± ---</td> </tr> <tr> <td>2 PLACES</td> <td>± 0.20</td> <td>± ---</td> </tr> <tr> <td>1 PLACE</td> <td>± 0.5</td> <td>± ---</td> </tr> <tr> <td>0 PLACE</td> <td>± ---</td> <td>± ---</td> </tr> </table>		mm	INCH	4 PLACES	± ---	± ---	3 PLACES	± ---	± ---	2 PLACES	± 0.20	± ---	1 PLACE	± 0.5	± ---	0 PLACE	± ---	± ---	<table border="1"> <tr> <th>DRAWN BY</th> <th>DATE</th> <th>TITLE</th> </tr> <tr> <td>TVOGT</td> <td>2009/03/26</td> <td rowspan="4">SRC MIXED POWER MALE BLADE HOUSING ASSEMBLY</td> </tr> <tr> <th>CHECKED BY</th> <th>DATE</th> </tr> <tr> <td>RSILLER</td> <td>2009/03/30</td> </tr> <tr> <th>APPROVED BY</th> <th>DATE</th> </tr> <tr> <td>AVOGT</td> <td>2009/03/31</td> <td></td> </tr> </table>	DRAWN BY	DATE	TITLE	TVOGT	2009/03/26	SRC MIXED POWER MALE BLADE HOUSING ASSEMBLY	CHECKED BY	DATE	RSILLER	2009/03/30	APPROVED BY	DATE	AVOGT	2009/03/31		molex		
		mm	INCH																																				
	4 PLACES	± ---	± ---																																				
3 PLACES	± ---	± ---																																					
2 PLACES	± 0.20	± ---																																					
1 PLACE	± 0.5	± ---																																					
0 PLACE	± ---	± ---																																					
DRAWN BY	DATE	TITLE																																					
TVOGT	2009/03/26	SRC MIXED POWER MALE BLADE HOUSING ASSEMBLY																																					
CHECKED BY	DATE																																						
RSILLER	2009/03/30																																						
APPROVED BY	DATE																																						
AVOGT	2009/03/31																																						
ANGULAR ± .5 ° DRAFT WHERE APPLICABLE MUST REMAIN WITHIN DIMENSIONS	MATERIAL NO. 850830020	DOCUMENT NO. SD-85083-300	SHEET NO. 7 OF 8																																				
REV	THIS DRAWING CONTAINS INFORMATION THAT IS PROPRIETARY TO MOLEX INCORPORATED AND SHOULD NOT BE USED WITHOUT WRITTEN PERMISSION																																						

9 8 7 6 5 4 3 2 1



Q-Q

4	MALE BACK SEAL	1	RUST RED
3	MALE REAR COVER	1	BLACK
2	MALE FRONT COVER	1	GREEN
1	MALE HOUSING	1	BLACK
No.	DESCRIPTION	QTY.	COLOUR
BILL OF MATERIAL			



NOTES:

1. REFERENCE SHEET 1 FOR UNSPECIFIED NOTES AND DIMENSIONS
2. MX150 BLADE TERMINALS PER SD-33000-001 TO BE USED WITH THIS ASSEMBLY IN CAVITIES B, C, D, E AND F CRIMPED WITH CABLE INSULATION OUTER DIAMETER IN THE RANGE 1.5mm TO 2.7mm
3. SRC BLADE TERMINALS PER SD-93642-001 MAY BE USED WITH THIS ASSEMBLY IN CAVITIES B AND F CRIMPED WITH 2.5mm² (13AWG) CABLE INSULATION OUTER DIAMETER IN THE RANGE 2.7mm TO 3.0mm
4. MX150L BLADE TERMINALS PER SD-19431-00* TO BE USED WITH THIS ASSEMBLY IN CAVITIES A AND G CRIMPED WITH CABLE INSULATION OUTER DIAMETER IN THE RANGE 3.0mm TO 5.0mm
5. MATES WITH: SRC 60+6AG POWER 2.5 RECEPTACLE HOUSING ASSEMBLY PART NUMBER 850846025 PER SD-85084-700

SEE SHEET ONE EC NO: IPG2015-0070 DRWN: J WALLACE 2013/12/17 CHKD: SMC GREEVY 2014/07/18 APPR: F DUGGAN 2014/07/21	DESCRIPTION	QUALITY SYMBOLS	GENERAL TOLERANCES (UNLESS SPECIFIED)		DIMENSION STYLE MM ONLY		SCALE 1:1	DESIGN UNITS METRIC	THIRD ANGLE PROJECTION	
		▽=0	mm	INCH	DRAWN BY TVOGT	DATE 2009/03/26	TITLE SRC MIXED POWER MALE BLADE HOUSING ASSEMBLY			
		∇=0			CHECKED BY RSILLER	DATE 2009/03/30				
			ANGULAR ± .5 °		APPROVED BY AVOGT		DATE 2009/03/31			
		DRAFT WHERE APPLICABLE MUST REMAIN WITHIN DIMENSIONS		MATERIAL NO. 850836025		DOCUMENT NO. SD-85083-300		SHEET NO. 8 OF 8		
			THIS DRAWING CONTAINS INFORMATION THAT IS PROPRIETARY TO MOLEX INCORPORATED AND SHOULD NOT BE USED WITHOUT WRITTEN PERMISSION							