

PART NAME: KNOB

SCALE: 1:1

DATE: 8/27/97

DR. BY HD



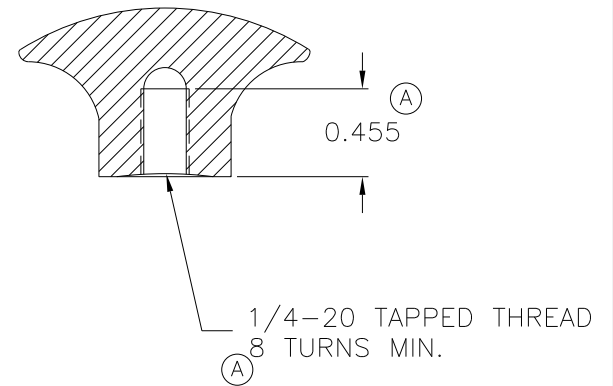
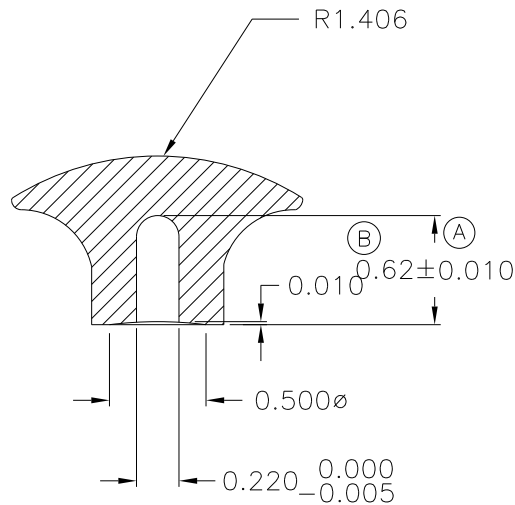
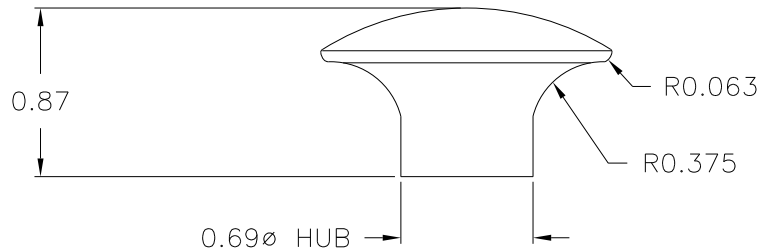
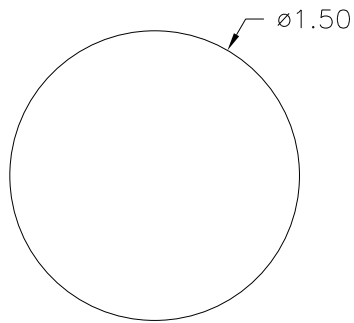
DESIGNERS & MANUFACTURERS OF KNOBS, HANDLES, CASES & CUSTOM PLASTIC COMPONENTS

P/N 3006AV

BASE PART 3006-08

THIS DRAWING IS THE PROPERTY OF DAVIES MOLDING COMPANY, IS SUBMITTED SOLELY AS A DESIGN OR ENGINEERING PROJECT. WE ACCEPT NO RESPONSIBILITY WHATSOEVER FOR THE PRACTICAL APPLICATION OF THE PIECES MADE TO THIS DESIGN.

(D)



MATERIAL: #5212 MELAMINE (R01)  
COLOR: RED

TOLERANCES:  
UNLESS OTHERWISE SPECIFIED

DO NOT SCALE  
DRAWING

DECIMALS: X.XXX ± .005  
X.XX ± .015

MM: X.XX ± 0.15MM  
X.X ± 0.4MM

FRACTIONS ± 1/64

ANG. ± 1°

D	ADDED BASE PART	JAM	4/19/13
C	WAS 00732-01	JAM	4/5/12
B	WAS 0.565	JAM	8/8/06
A	<small>CORRECTED DIMENSIONS 0.565 WAS 0.56 0.455 WAS 0.44 ADDED NOTE</small>	JAM	8/5/04
-	CAD/REDRAWN	HD	8/27/97

CHANGES