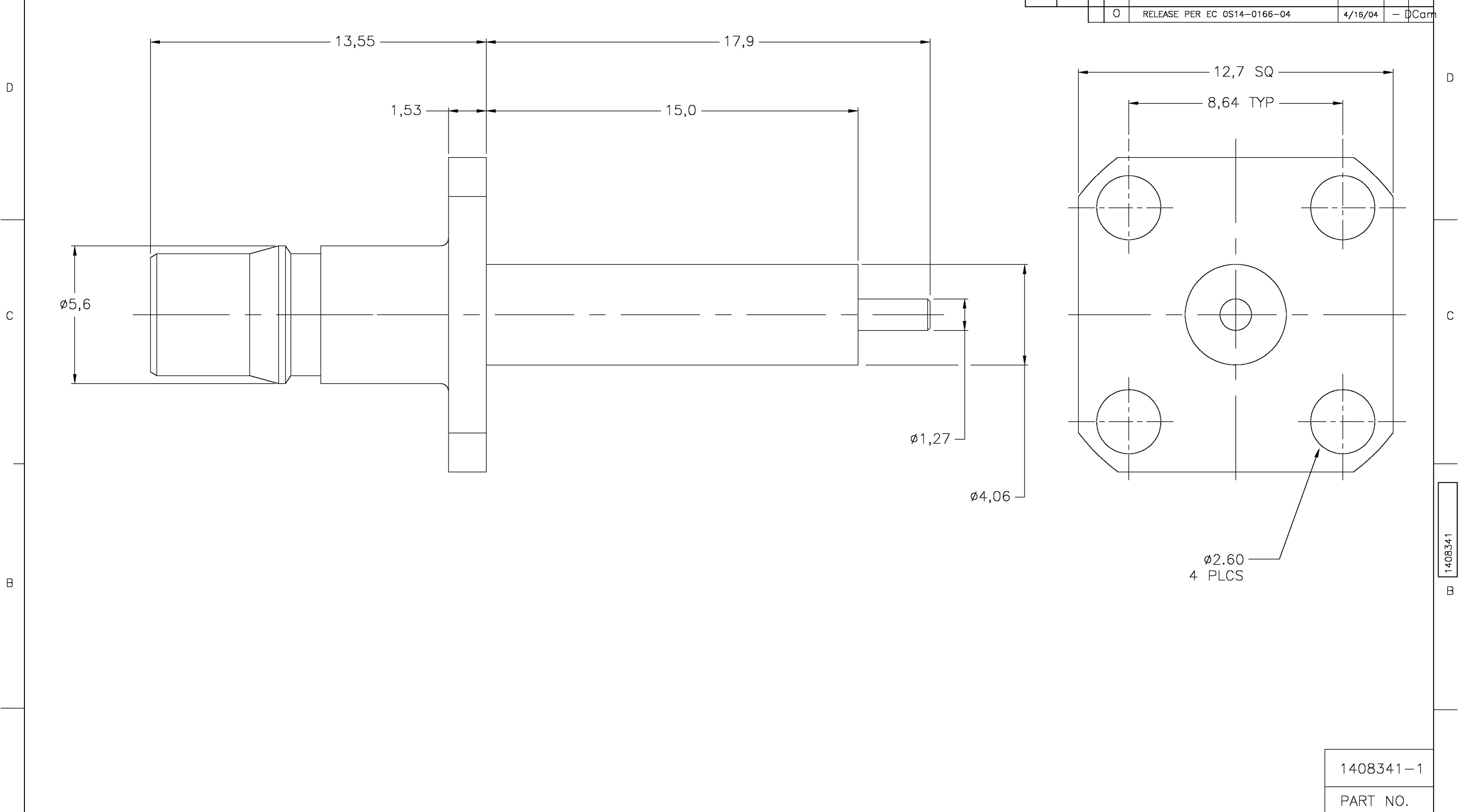


Loc	DIST	REVISIONS					
		P	LTR	DESCRIPTION	DATE	DWN	APVD
HC	00		0	RELEASE PER EC OS14-0166-04	4/16/04	-	DCam



1408341-1
PART NO.

CONTACT	BERYLLIUM COPPER	GOLD
HOUSING	BRASS	NICKEL
DIELECTRIC	PTFE	N/A
COMPONENT	MATERIAL	FINISH

THIS DRAWING IS A CONTROLLED DOCUMENT.		DWN DCam	11NOV2002	tyco Electronics		Tyco Electronics Corporation Norwood, MA 02062			
DIMENSIONS: MM	TOLERANCES UNLESS OTHERWISE SPECIFIED:	CHK -	APVD DCam	4/16/04	NAME	QMA FLANGE MOUNT JACK RECEPTACLE STRAIGHT TERMINAL			
	0 PLC ± - 1 PLC ± 0,3 2 PLC ± 0,1 3 PLC ± - 4 PLC ± - ANGLES ± 1		PRODUCT SPEC		SIZE	CAGE CODE	DRAWING NO		
MATERIAL	FINISH		APPLICATION SPEC	108-2087	A2	00779	C=1408341		
-	-		WEIGHT	-	CUSTOMER DRAWING		RESTRICTED TO		
							SCALE 10:1	SHEET 1 OF 1	REV 0

1408341