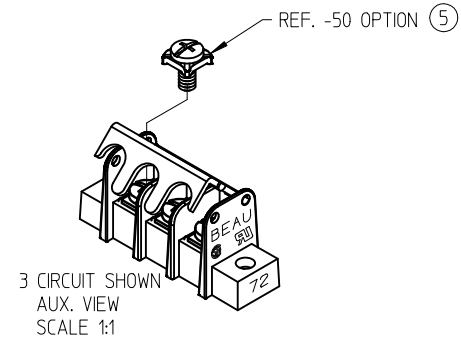
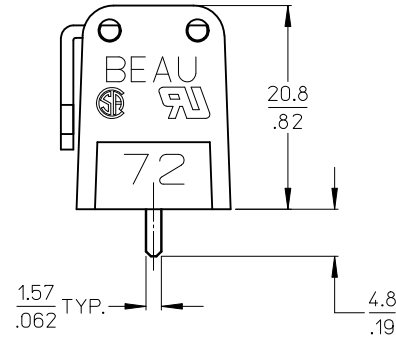
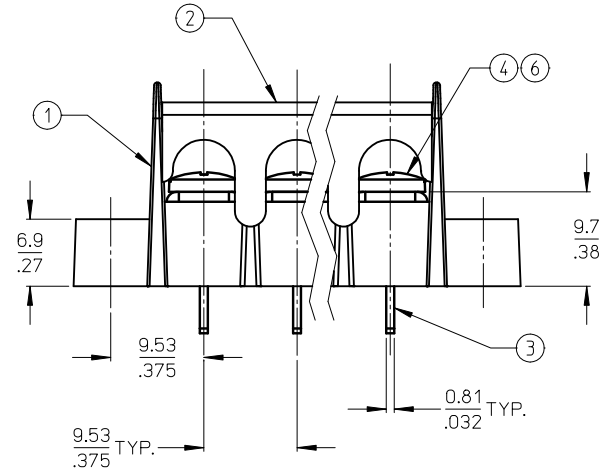
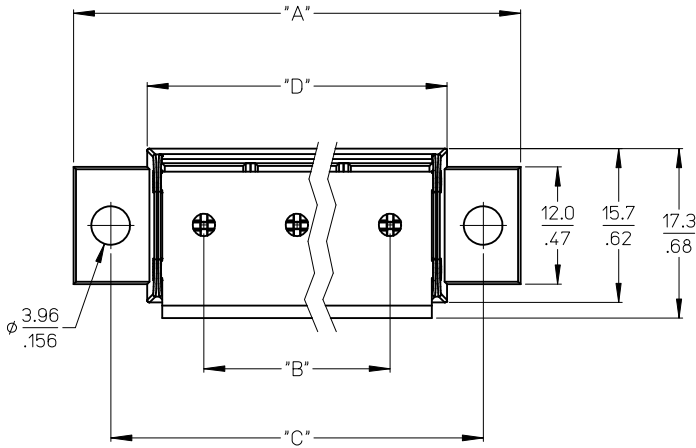


MATERIAL NUMBER (STANDARD)	MATERIAL NUMBER (-56 OPT) (B)	MATERIAL NUMBER (-50 OPT)	NO. OF CIRCUITS	A	B	C	D
			2	40.2 (1.58)	9.5 (.38)	28.6 (1.13)	21.2 (.83)
387291451			3	49.7 (1.96)	19.1 (.75)	38.1 (1.50)	30.7 (1.21)
387291244		387291464	4	59.3 (2.33)	28.6 (1.13)	47.6 (1.88)	40.2 (1.58)
387291450			5	68.8 (2.71)	38.1 (1.50)	57.2 (2.25)	49.7 (1.96)
			6	78.3 (3.08)	47.6 (1.88)	66.7 (2.63)	59.3 (2.33)
			7	87.8 (3.46)	57.2 (2.25)	76.2 (3.00)	68.8 (2.71)
	387291369		8	97.4 (3.83)	66.7 (2.63)	85.7 (3.38)	78.3 (3.08)
			9	106.9 (4.21)	76.2 (3.00)	95.3 (3.75)	87.8 (3.46)
			10	116.4 (4.58)	85.7 (3.38)	104.8 (4.13)	97.4 (3.83)
	387291370		11	125.9 (4.96)	95.3 (3.75)	114.3 (4.50)	106.9 (4.21)
			12	135.5 (5.33)	104.8 (4.13)	123.8 (4.88)	116.4 (4.58)
			13	145.0 (5.71)	114.3 (4.50)	133.4 (5.25)	125.9 (4.96)
			14	154.5 (6.08)	123.8 (4.88)	142.9 (5.63)	135.5 (5.33)
			15	164.0 (6.46)	133.4 (5.25)	152.4 (6.00)	145.0 (5.71)
			16	173.6 (6.83)	142.9 (5.63)	161.9 (6.38)	154.5 (6.08)



- NOTES:
1. MATERIAL: SEE TABLE
  2. FINISHES: SEE TABLE
  3. PRODUCT SPECIFICATION: NOT REQUIRED
  4. "XX" REFERS TO QTY. OF CIRCUITS
  5. ROHS COMPLIANT

ITEM	QTY.	DESCRIPTION	MATERIAL	FINISH
6	XX	SCREW,#6-32X.250 BHD,PHIL-SLOT SS (-56 OPT)	STAINLESS STEEL	PASSIVATE
5	XX	SCRW&WSHR,#6-32X.25 PANHD,PH-SL (-50 OPT)	STEEL	ZN, CLEAR CHROMATE
4	XX	SCREW,#6-32X.250,BHD,PHIL-SLOT (STD)	STEEL	ZN, CLEAR CHROMATE
3	XX	TERMINAL, PC , #6-32	BRASS	TIN PLATE
2	1	COVER HINGE	POLYESTER (PBT)	BLACK
1	1	SR BARRIER, PC, CS	POLYESTER (PBT)	BLACK

**CHANGE SCREW, REDRAW**  
 EC NO: WINA2011-0086  
 DRAWN: JENC INAS 2010/09/01  
 CHKD: JMACNEIL  
 APPR: JMACNEIL 2011/05/06

QUALITY SYMBOLS  
 ▽=0  
 ▽=0

GENERAL TOLERANCES (UNLESS SPECIFIED)

	mm	INCH
4 PLACES	± ---	± ---
3 PLACES	± ---	± .005
2 PLACES	± 0.13	± .010
1 PLACE	± 0.3	± ---

ANGULAR ± 2 °

DRAFT WHERE APPLICABLE  
 MUST REMAIN WITHIN DIMENSIONS

DIMENSION STYLE  
**MM/IN**

SCALE  
**2:1**

DESIGN UNITS  
**INCH**

THIRD ANGLE PROJECTION

DRAWN BY  
 JENC INAS

DATE  
 2010/09/01

CHECKED BY  
 CLYORK

DATE  
 2010/09/01

APPROVED BY  
 JMACNEIL

DATE  
 2011/05/06

MATERIAL NO.  
**SEE CHART**

TITLE  
**9.53/.375" SR BTS, CS, PC TAIL, MTG, W/H COVER (72R5XX-H)**

**MOLEX INCORPORATED**

DOCUMENT NO.  
**SD-38729-016**

SHEET NO.  
**1 OF 1**

THIS DRAWING CONTAINS INFORMATION THAT IS PROPRIETARY TO MOLEX INCORPORATED AND SHOULD NOT BE USED WITHOUT WRITTEN PERMISSION