

CT817FYF Series

From 1.0 μH to 100 μH



SPECIFICATIONS

Parts are available in $\pm 20\%$ inductance tolerance only.

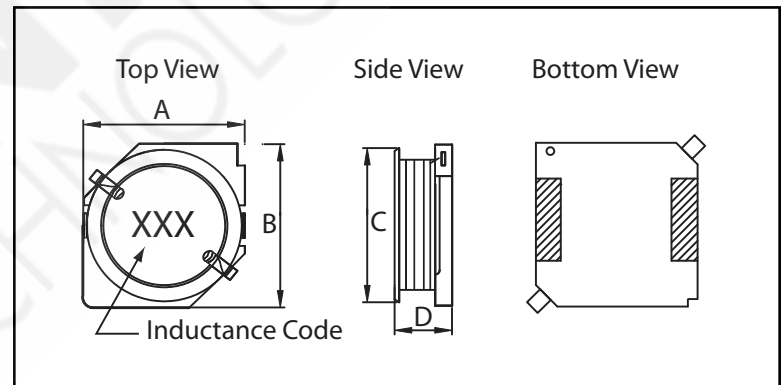
Part Number	Inductance (μH)	L Test Freq. (KHz)	DCR Max. ($\text{m}\Omega$)	IDC Max. (A)
CT817FYF-1R0M	1.0	100	20	3.60
CT817FYF-1R5M	1.5	100	30	3.40
CT817FYF-2R2M	2.2	100	30	2.68
CT817FYF-3R3M	3.3	100	40	2.40
CT817FYF-4R7M	4.7	100	60	2.26
CT817FYF-6R8M	6.8	100	80	1.66
CT817FYF-100M	10	100	120	1.37
CT817FYF-120M	12	100	140	1.12
CT817FYF-150M	15	100	180	1.08
CT817FYF-180M	18	100	200	1.04
CT817FYF-220M	22	100	270	0.80
CT817FYF-270M	27	100	320	0.77
CT817FYF-330M	33	100	350	0.71
CT817FYF-390M	39	100	480	0.62
CT817FYF-470M	47	100	560	0.56
CT817FYF-560M	56	100	630	0.54
CT817FYF-680M	68	100	710	0.50
CT817FYF-820M	82	100	970	0.43
CT817FYF-101M	100	100	1080	0.39

PHYSICAL DIMENSIONS

Size	A Max.	B Max.	C Max.	D Max.
mm	7.6	7.6	6.8	3.0
inches	0.30	0.30	0.27	0.12

CHARACTERISTICS

- Description:** SMD (unshielded) power inductor.
- Applications:** Ideal for a variety of DC/DC converter applications and low profile use.
- Operating Temperature:** -40°C to $+85^{\circ}\text{C}$
- IDC:** Maximum allowable DC current is that which causes a 10% inductance reduction from the initial value, or coil temperature to rise by 40°C , whichever is smaller.
- Inductance Tolerance:** $\pm 20\%$
- Testing:** Inductance is tested on an HP4285A at 100KHz, 0.25V
- Packaging:** Tape & Reel
- Marking:** Parts are marked with inductance code.
- Miscellaneous:** **RoHS Compliant.**
- Additional Information:** Additional electrical & physical information available upon request.
- Samples available. See website for ordering information.**



PAD LAYOUT

