



ELECTRONICS, INC.
 44 FARRAND STREET
 BLOOMFIELD, NJ 07003
 (973) 748-5089
<http://www.nteinc.com>



NTE3027 Infrared Emitting Diode High Speed for Remote Control

Description:

The NTE3027 Infrared Emitting Diode is a high intensity diode using AlGaAs/GaAs technology molded in a blue transparent plastic standard T-1 3/4 (5mm) package. This device is spectrally matched for use with phototransistor, photodiode and infrared receiver modules.

Features:

- High Radiant Intensity
- Peak Wavelength = $\lambda_P = 940\text{nm}$
- Low Forward Voltage
- High Reliability

Applications:

- Free Air Transmission System
- Infrared Remote Control Units with High Power Requirements
- Smoke Detector
- Infrared Applied System

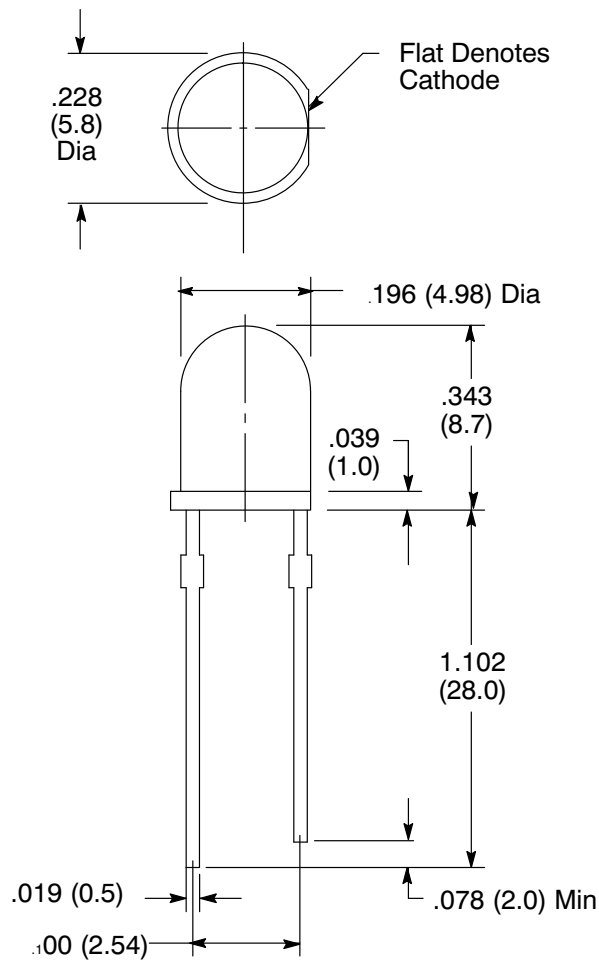
Absolute Maximum Ratings: ($T_A = +25^\circ\text{C}$ unless otherwise specified)

Reverse Voltage, V_R	5V
Forward Current, I_F	
Continuous	150mA
Peak (Note 1)	1.0A
Power Dissipation ($T_A \leq +25^\circ\text{C}$), P_D	210mW
Soldering Temperature (Note 2), T_{sol}	+260°C
Operating Temperature Range, T_{opr}	-55° to +100°C
Storage Temperature Range, T_{stg}	-55° to +100°C
Lead Temperature (During soldering, 4mm from mold body, 5sec Max.), T_L	+260°C

Note 1. Pulse Width = 100 μs , Duty Cycle = 1%

Electrical Characteristics: ($T_A = +25^\circ\text{C}$ unless otherwise specified)

Parameter	Symbol	Test Conditions	Min	Typ	Max	Unit
Radiant Intensity	I_e	$I_F = 50\text{mA}$	50	60	-	mW/sr
		$I_F = 100\text{mA}$, $t_p = 50\mu\text{s}$, $t_p/T = 0.01$		130	-	mW/sr
		$I_F = 1\text{A}$, $t_p = 100\mu\text{s}$, $t_p/T = 0.01$			1400	-
Peak Wavelength	λ_p	$I_F = 20\text{mA}$	-	940	-	nm
Spectral Bandwidth	$\Delta\lambda$	$I_F = 20\text{mA}$	-	50	-	nm
Forward Voltage	V_F	$I_F = 50\text{mA}$	1.30	1.35	1.50	V
		$I_F = 100\text{mA}$, $t_p = 50\mu\text{s}$, $t_p/T = 0.01$	-	1.55	1.85	V
		$I_F = 1\text{A}$, $t_p = 100\mu\text{s}$, $t_p/T = 0.01$	-	2.6	4.0	V
Reverse Current	I_R	$V_R = 5\text{V}$	-	-	10	μA
View Angle of Half Power	$2\Phi_{1/2}$	$I_F = 20\text{mA}$	-	45	-	deg



Tolerance ± 0.010 (.254)