

MICRO SWITCH

FREEDPORT ILLINOIS, U.S.A
A DIVISION OF HONEYWELL
FED. MFG. CODE 91929

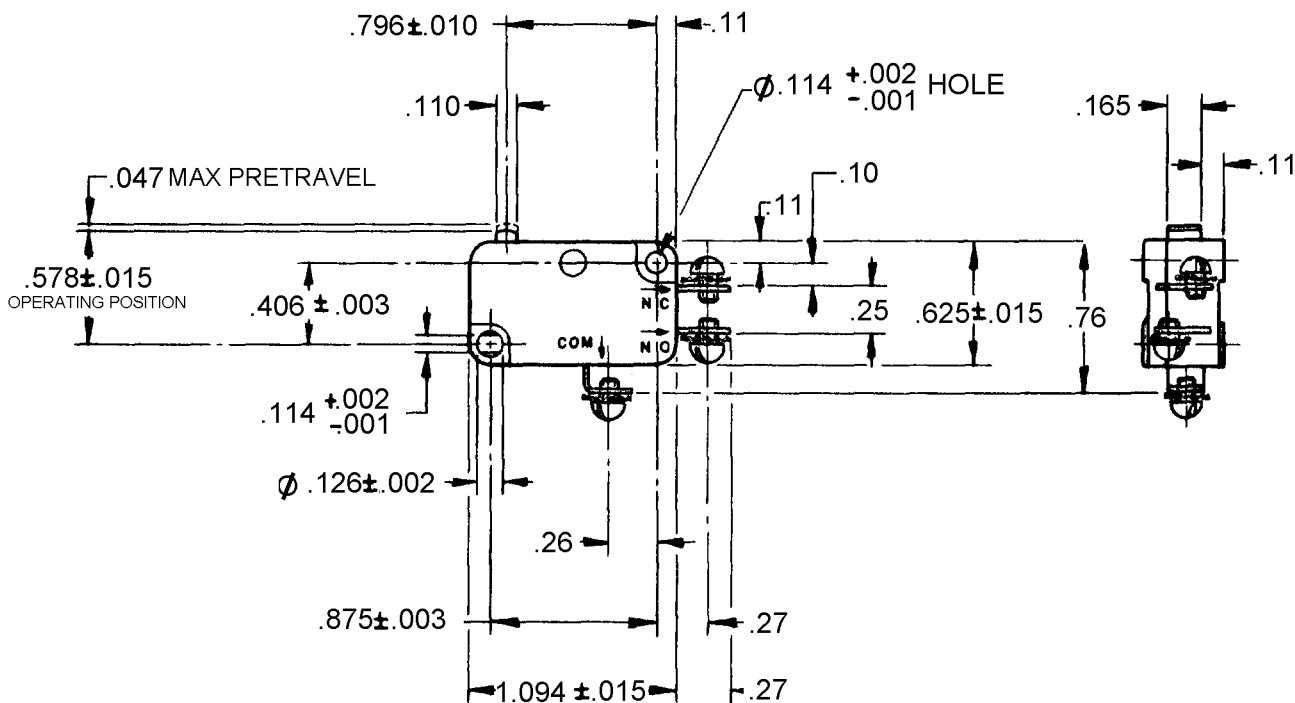
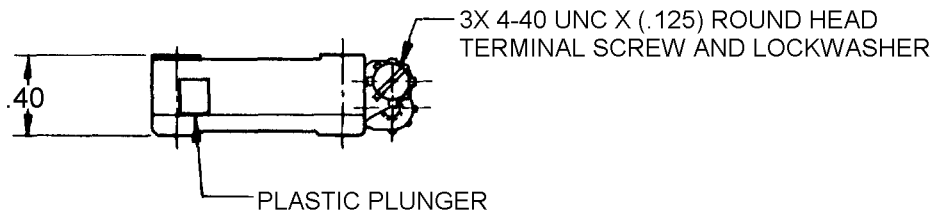
SWITCH-BASIC

CATALOG LISTING

V3-1201

MILITARY STDS PART NO.
M8805/90-001

CK-N1201



NOTE
1 - "M8805/90-001" AND SOURCE CODE "91929" MARKED ON SWITCH
AND LABEL OF PACKING BOX

ANSI Y14.5M-1982 APPLIES

THIS DRAWING COVERS A PROPRIETARY ITEM AND IS THE PROPERTY OF MICRO SWITCH, A DIVISION OF HONEYWELL. THIS DRAWING IS NOT TO BE COPIED OR USED WITHOUT THE APPROVAL OF MICRO SWITCH.

V3-1201
 PAGE 1 OF 1
 PR-2340
 M
 DRAWING NUMBER
 ISSUE 6
 REVISIONS
 A PR-2340
 S R H
 3 JAN 72
 CO
 B 39182
 G A S
 18 FEB 78
 C C045436
 D J W
 31 JAN 79
 CO
 D 76499
 D C S
 6 JAN 94
 E 201691
 G J W
 8 NOV 00
 CHECK
 4 JAN 72
 DRAWN
 S R H 3 JAN 72
 FO-50378-1A

CHARACTERISTICS	ELECTRICAL DATA	SCALE FULL
OPERATING FORCE-----75 GRAM MAX	CONTACT ARRANGEMENT S P D T	DO NOT SCALE PRINT
RELEASE FORCE-----10 GRAM MIN		UNLESS OTHERWISE NOTED
		DIMENSIONS ARE IN INCHES
		TOLERANCES ARE:
DIFFERENTIAL TRAVEL-----.002-.010		ONE PLACE (.0) ±.030
OVERTRAVEL-----.050 MIN		TWO PLACE (.00) ±.015
FREE POSITION-----.625 MAX		THREE PLACE (.000) ±.005
RELEASE TRAVEL-----.010 MIN		ANGLES ±
		WEIGHT 9.1 GRAMS