

- NOTES:**
1. MATERIALS: HOUSING - LIQUID CRYSTAL POLYMER (LCP) GLASS-FILLED, UL94V-0
TERMINALS - HIGH PERFORMANCE COPPER ALLOY
 2. FINISH: 30μ MIN GOLD IN CONTACT AREA.
SELECTIVE TIN ON PCB TAILS.
NICKEL OVERALL.
 3. REFER TO MOLEX PRODUCT SPECIFICATION PS-76060-999 FOR PERFORMANCE SPECIFICATIONS AND ADDITIONAL PCB INFORMATION.
 4. THIS PART CONFORMS TO CLASS B REQUIREMENTS OF MOLEX COSMETIC SPEC PS-45499-002.
 5. PACKAGE PER: PK-70873-764.
 6. SEE SHEETS 2 & 3 FOR PART NUMBERS AND BOARD RELATIONSHIPS.
 7. MATES WITH IMPACT DC SERIES NO. 76850.
 8. REFER TO MOLEX PCB ROUTING GUIDE AS-76060-990 FOR ANTIPAD AND ROUTING RECOMMENDATIONS.
 9. KEEP OUT ZONE FOR BP HOUSING LENGTH INCLUDES AN ADDITIONAL 1.0MM TO ACCOMODATE FOR SPACE REQUIRED BY DC FRONT HOUSING.
 10. CONNECTORS SUPPLIED WITH A 2-56 UNC-2A SCREW.

QUALITY SYMBOLS		THIS DRAWING CONTAINS INFORMATION THAT IS PROPRIETARY TO MOLEX ELECTRONIC TECHNOLOGIES, LLC AND SHOULD NOT BE USED WITHOUT WRITTEN PERMISSION			
▽ = 0	MIGRATED TO NX EC NO: 123922 DRWN: NSRVATSAHS CHKD: PRAMASWAMY REV / APPR: PRAMASWAMY 2017/10/10 2017/10/17 2017/10/18	GENERAL TOLERANCES (UNLESS SPECIFIED)		DIMENSION UNITS	SCALE
▽ = 0		ANGULAR TOL ± 0.5 °		mm	4:1
▽ = 0		4 PLACES ±	DRWN BY	DATE	
▼ = 0		3 PLACES ±	DVARVARA	2012/09/06	
▽ = 0		2 PLACES ± 0.13	CHK'D BY	DATE	
⊠ = 0		1 PLACE ± 0.25	PRAMASWAMY	2017/10/17	
■ = 0		0 PLACES ±	APPR BY	DATE	
▽ = 0		DRAFT WHERE APPLICABLE MUST REMAIN WITHIN DIMENSIONS	JBINGHAM	2012/09/24	
			DRAWING SIZE	THIRD ANGLE PROJECTION	
			C		
RELEASE STATUS		P1	RELEASE DATE	18.10.2017	06:14:44

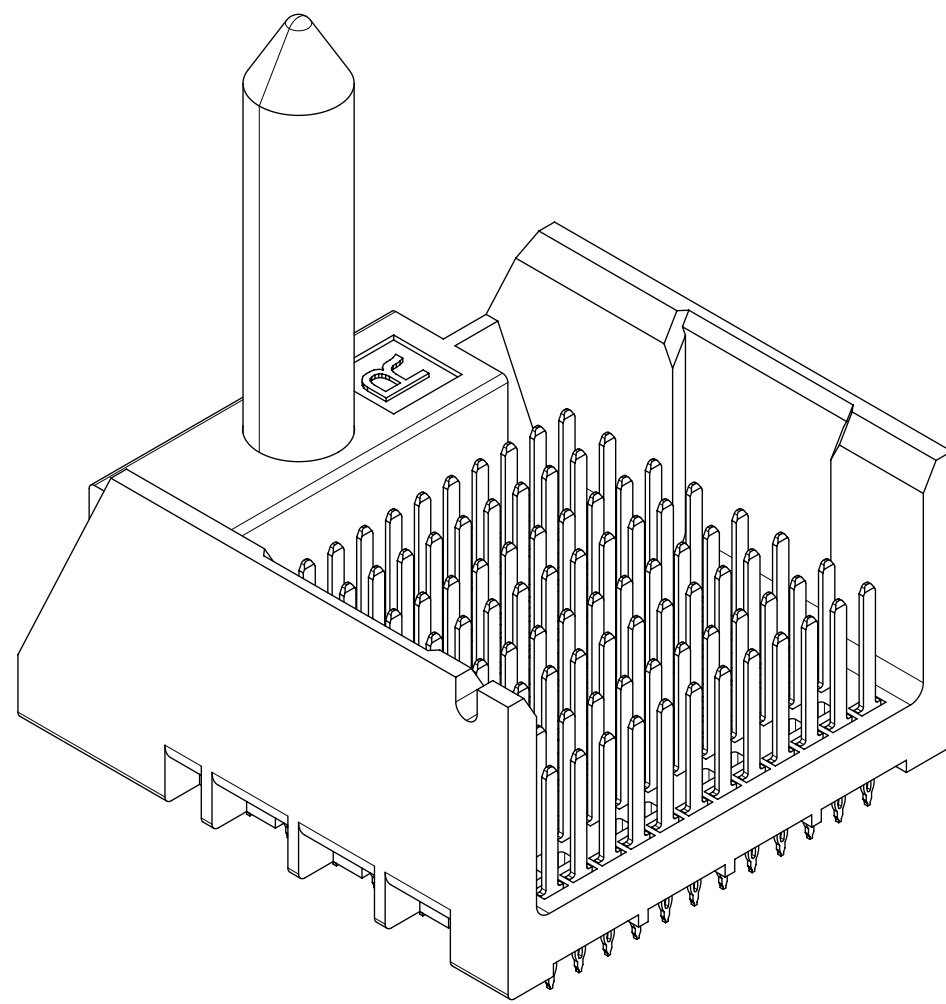
molex

IMPACT ORTHO ROUTABLE
4 PAIR HEADER ASSEMBLY RIGHT GUIDE SALES DWG

PRODUCT CUSTOMER DRAWING

SERIES	MATERIAL NUMBER	CUSTOMER
76849	SEE CHART	GENERAL MARKET
DOCUMENT NUMBER	DOC TYPE	DOC PART SHEET NUMBER
SD-76849-0003	PSD	001 1 OF 3

MATERIAL NUMBER	# OF COLUMNS	# OF DIFF PAIR	DIM "A"	DIM "B"	MODULE TYPE
76849-980*	8	32	24.3	14.05	END WALL
76849-580*	8	32	22.9	14.05	OPEN WALL



GUIDE RIGHT OPEN END

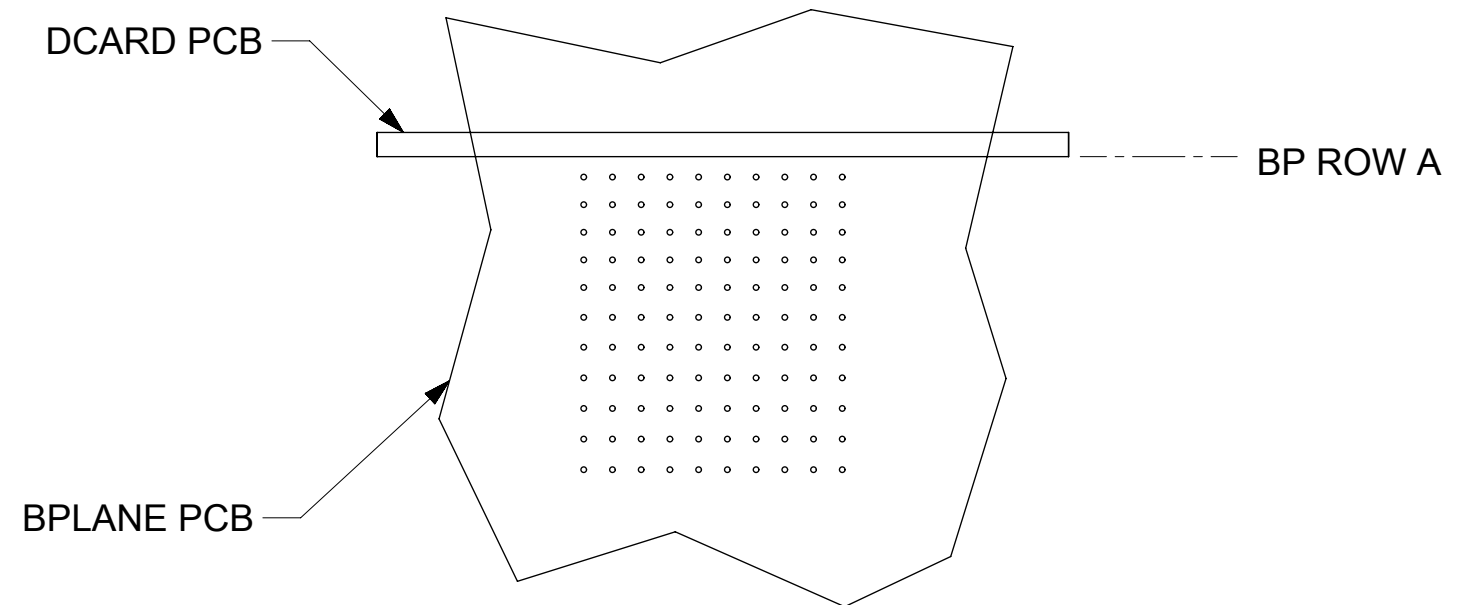
76849- **0*

MODULE TYPE
 5 = GUIDE RIGHT, TIN
 9 = GUIDE RIGHT END WALL, TIN

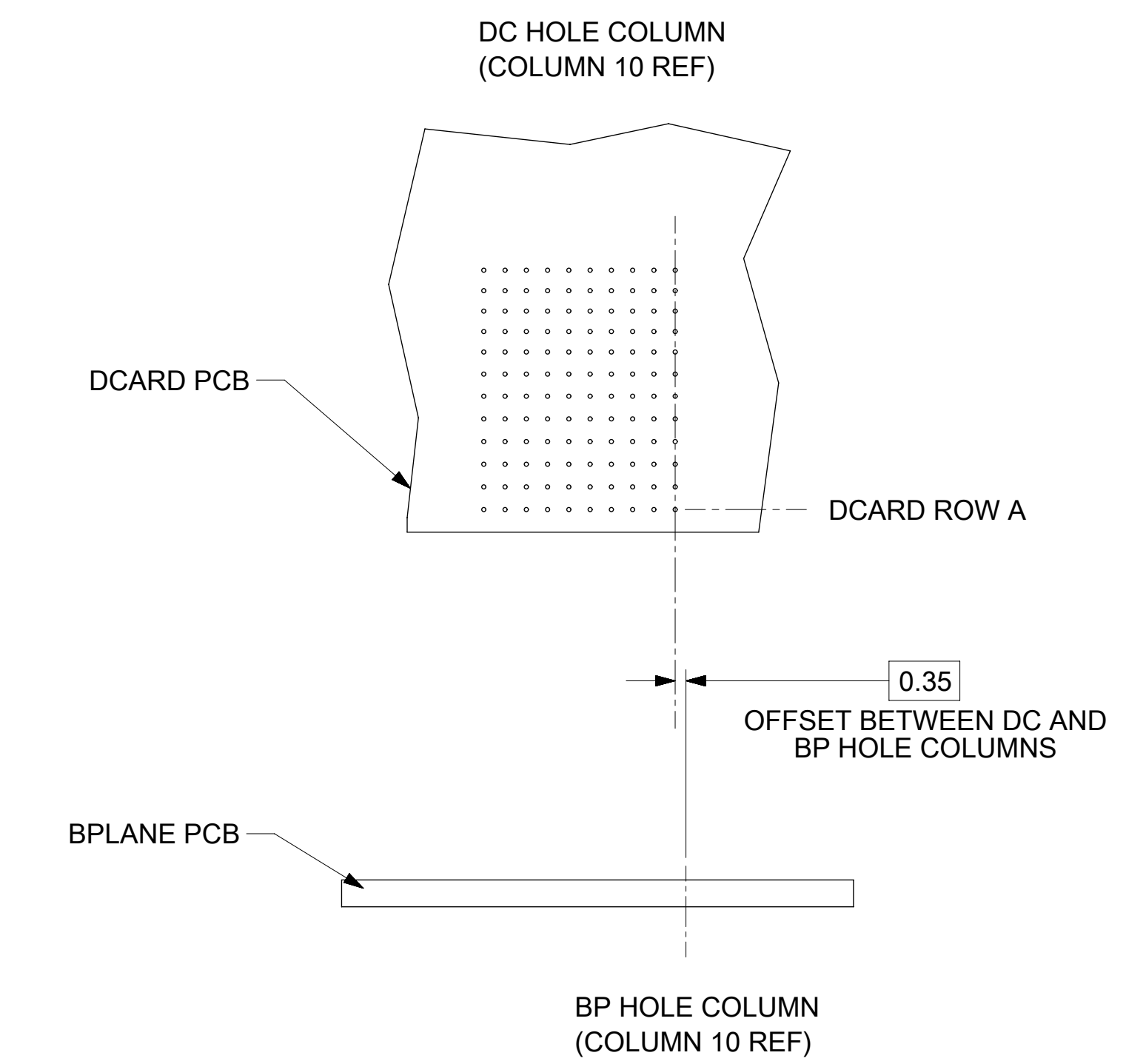
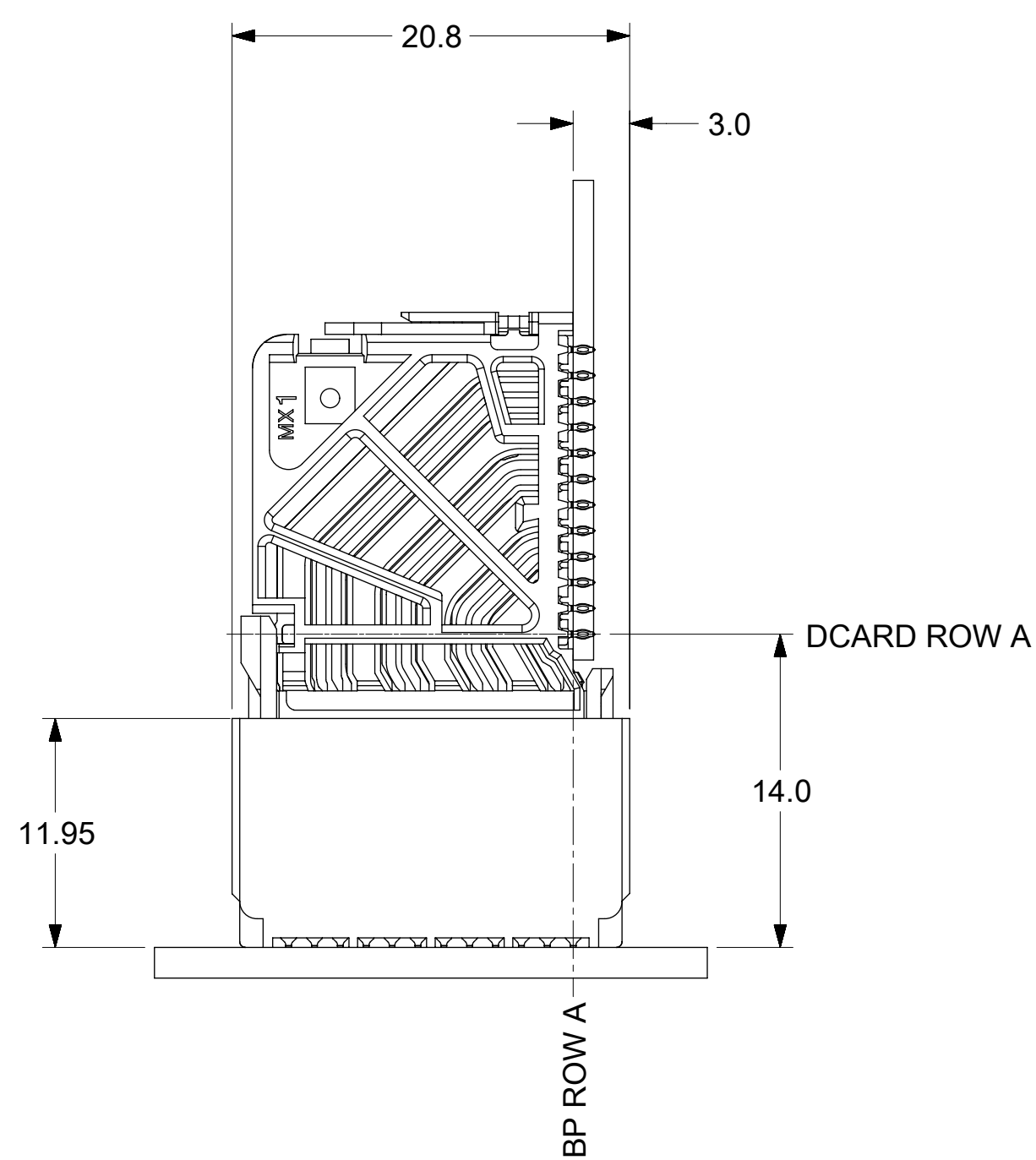
PIN LENGTH (P)
 4 = 4.90, (0.46 PTH)
 5 = 5.50, (0.46 PTH)
 7 = 4.90, (0.39 PTH)
 8 = 5.50, (0.39 PTH)

OF COLUMNS
 8 = 8 COL

QUALITY SYMBOLS		THIS DRAWING CONTAINS INFORMATION THAT IS PROPRIETARY TO MOLEX ELECTRONIC TECHNOLOGIES, LLC AND SHOULD NOT BE USED WITHOUT WRITTEN PERMISSION									
▽ = 0	▽ = 0	MIGRATED TO NX EC NO: 123322 DRWN: NSRVATSAHS 2017/10/10 CHKD: PRAMASWAMY 2017/10/17 REV / APPR: PRAMASWAMY 2017/10/18	GENERAL TOLERANCES (UNLESS SPECIFIED)			DIMENSION UNITS	SCALE	molex IMPACT ORTHO ROUTABLE 4 PAIR HEADER ASSEMBLY RIGHT GUIDE SALES DWG			
▽ = 0	▽ = 0		ANGULAR TOL ± 0.5 °			mm	1:1				
▽ = 0	▽ = 0		4 PLACES ±	DRWN BY		DATE		PRODUCT CUSTOMER DRAWING			
▽ = 0	▽ = 0		3 PLACES ±	DVARVARA		2012/09/06					
▽ = 0	▽ = 0		2 PLACES ± 0.13	CHK'D BY		DATE		SERIES MATERIAL NUMBER CUSTOMER 76849 SEE CHART GENERAL MARKET			
▽ = 0	▽ = 0		1 PLACE ± 0.25	PRAMASWAMY		2017/10/17					
▽ = 0	▽ = 0	0 PLACES ±	APPR BY		DATE		DOCUMENT NUMBER DOC TYPE DOC PART SHEET NUMBER SD-76849-0003 PSD 001 2 OF 3				
▽ = 0	▽ = 0	DRAFT WHERE APPLICABLE MUST REMAIN WITHIN DIMENSIONS		JBINGHAM		2012/09/24					
▽ = 0	▽ = 0	A1	DRAWING SIZE	THIRD ANGLE PROJECTION		C					



IMPACT ORTHO 4 PAIR BOARD RELATIONSHIPS



QUALITY SYMBOLS ▽ = 0 ▽ = 0 ▽ = 0 ▼ = 0 ▽ = 0 ⊠ = 0 ■ = 0 ▽ = 0		THIS DRAWING CONTAINS INFORMATION THAT IS PROPRIETARY TO MOLEX ELECTRONIC TECHNOLOGIES, LLC AND SHOULD NOT BE USED WITHOUT WRITTEN PERMISSION		DIMENSION UNITS: mm SCALE: 4:1			
EC NO: 123322 DRWN: NSRVATSAHS CHKD: PRAMASWAMY REV: APPR: PRAMASWAMY		GENERAL TOLERANCES (UNLESS SPECIFIED) ANGULAR TOL ± 0.5 ° 4 PLACES ± 3 PLACES ± 2 PLACES ± 0.13 1 PLACE ± 0.25 0 PLACES ±		DRWN BY: DVARVARA DATE: 2012/09/06 CHK'D BY: PRAMASWAMY DATE: 2017/10/17 APPR BY: JBINGHAM DATE: 2012/09/24			
MIGRATED TO NX EC NO: 123322 DRWN: NSRVATSAHS CHKD: PRAMASWAMY REV: APPR: PRAMASWAMY		DRAFT WHERE APPLICABLE MUST REMAIN WITHIN DIMENSIONS		DRAWING SIZE: C THIRD ANGLE PROJECTION		DOCUMENT NUMBER: SD-76849-0003 DOC TYPE: PSD DOC PART: 001 SHEET NUMBER: 3 OF 3	