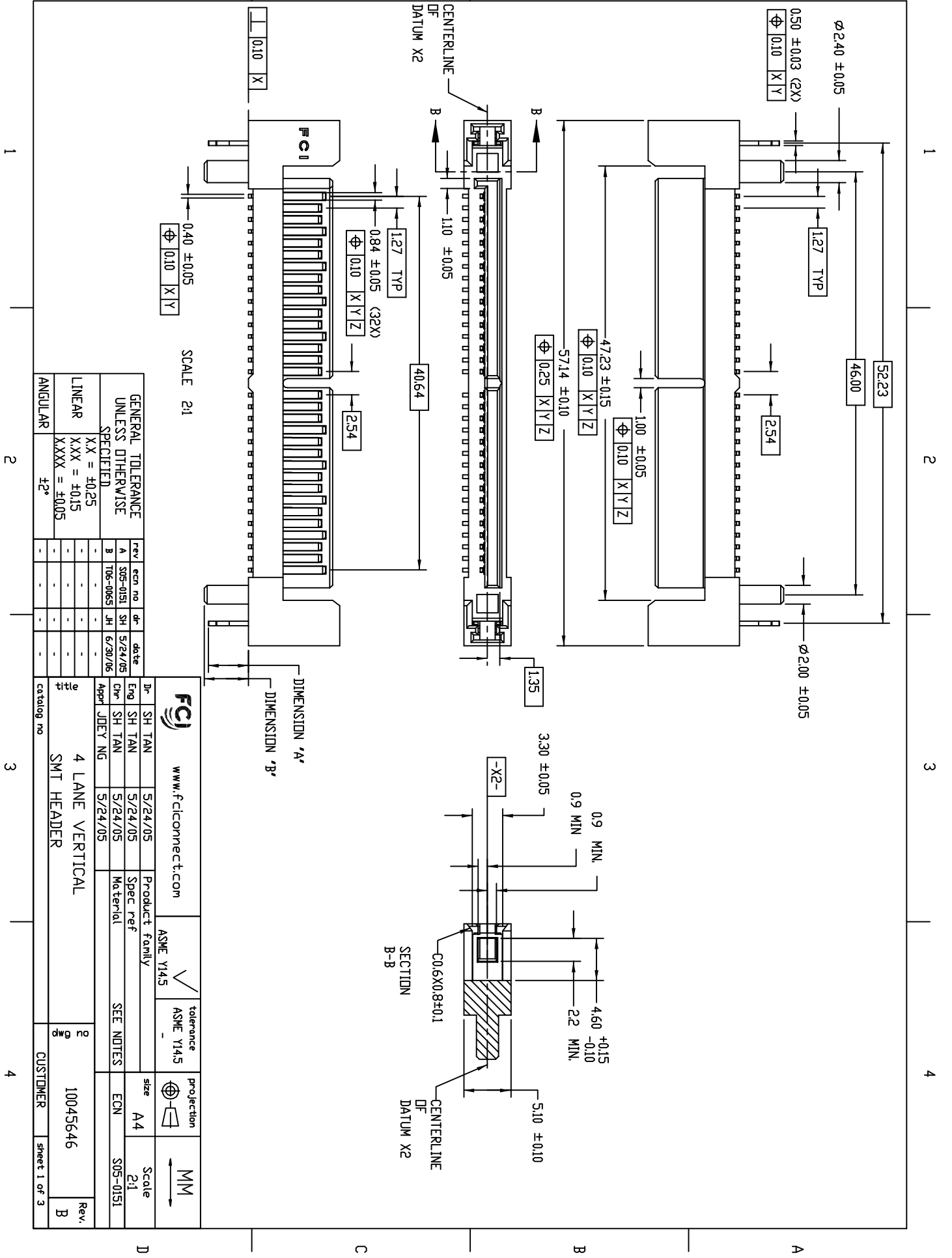


All rights strictly reserved. Reproduction or issue to third parties in any form whatever is not permitted without written authority from the proprietor.
Property of FCI. Copyright FCI.



Tous droits strictement reserves. Reproduction ou communication a des tiers interdite sous quelque forme que ce soit sans autorisation ecrite du proprietaire.
Propriete de c FCI. Droits de reproduction FCI.



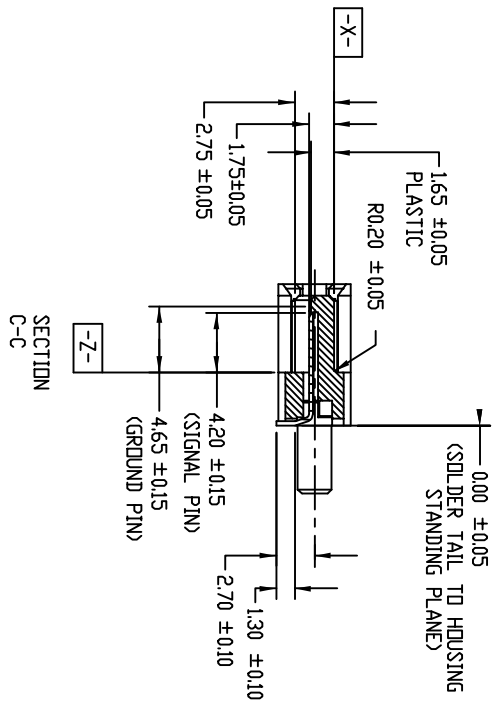
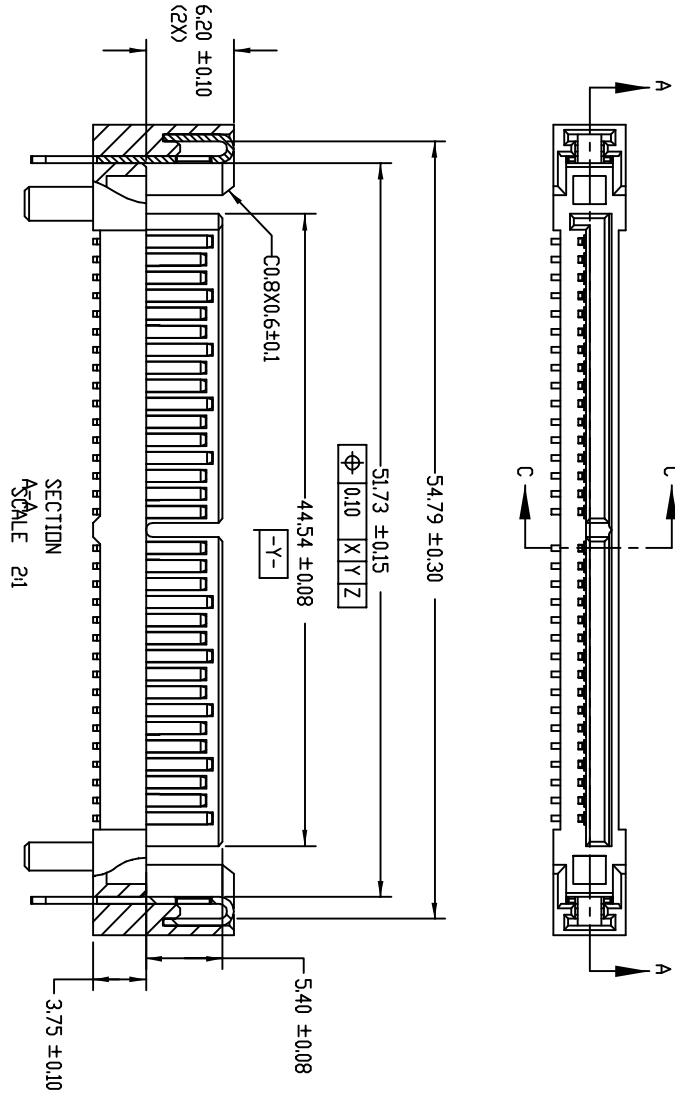
GENERAL TOLERANCE
UNLESS OTHERWISE
SPECIFIED

LINEAR
XXX = ±0.15
XXXX = ±0.05

ANGULAR
±2°

rev	ecn no	dr	date
A	S05-0151	SH	5/24/05
B	T06-0065	JH	6/30/06

Dr		SH TAN	5/24/05	Product family	ASME Y14.5	tolerance	ASME Y14.5	projection	MM	Scale	2:1
Eng		SH TAN	5/24/05	Spec ref							
Cvr		SH TAN	5/24/05	Material							
Appr		JUEY NG	5/24/05	SEE NOTES							
catlog no		4 LANE VERTICAL SMT HEADER		size	A4	ECN	S05-0151	Rev.	B	10045646	sheet 1 of 3



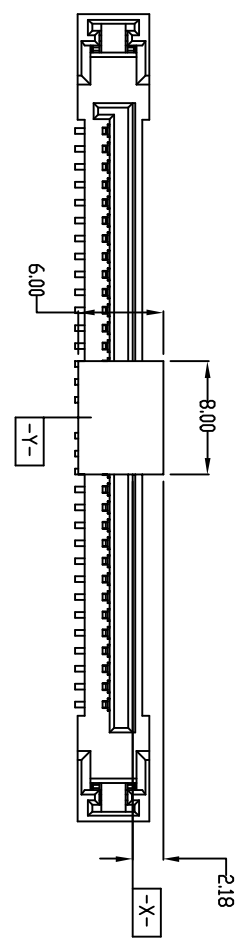
title	4 LANE VERTICAL SMT HEADER	dwg no	10045646	Rev.	B
catalog no		CUSTOMER		sheet 2 of 3	



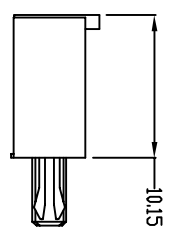
All rights strictly reserved. Reproduction or issue to third parties in any form whatever is not permitted without written authority from the proprietor.
Property of FCI. Copyright FCI.

Tous droits strictement reserves. Reproduction ou communication a des tiers interdite sous quelque forme que ce soit sans autorisation ecrite du proprietaire.
Propriete de c FCI. Droits de reproduction FCI.

PRODUCT NO.	PCB THICKNESS	DIMENSION 'A'	DIMENSION 'B'	PACKAGING
10045646-001TRLF	1.57±0.10	2.75±0.20	3.20±0.10	TAPE & REEL
10045646-002TRLF	3.18±0.10	4.35±0.20	4.80±0.10	TAPE & REEL
10045646-003TRLF	1.57±0.10	2.75±0.20	1.55±0.10	TAPE & REEL
10045646-001LF	1.57±0.10	2.75±0.20	3.20±0.10	TRAY
10045646-002LF	3.18±0.10	4.35±0.20	4.80±0.10	TRAY
10045646-003LF	1.57±0.10	2.75±0.20	1.55±0.10	TRAY

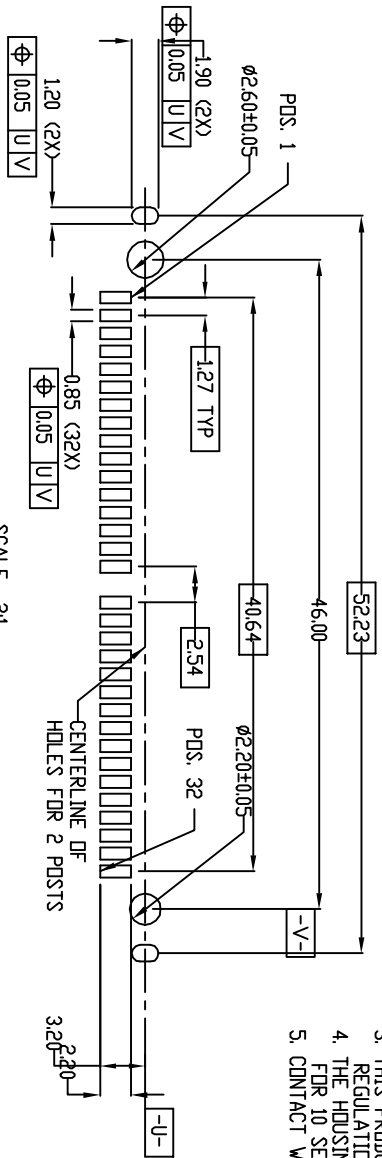


WITH PICK-UP CAP ATTACHED
SCALE 2:1



NOTES

- MATERIAL: HOUSING: HIGH TEMPERATURE PLASTIC, BLACK COLOR, UL94V-0
CONTACT: COPPER ALLOY
HOLD DOWN: COPPER ALLOY
- FINISH: 1.27µm MIN NICKEL UNDERPLATE OVERALL, 191µm MIN TIN (LEAD-FREE) ON SOLDER TAIL, 0.76µm MIN GOLD IN CONTACT AREA
- THIS PRODUCT MEETS EUROPEAN UNION DIRECTIVES AND OTHER COUNTRY REGULATIONS AS DESCRIBED IN GS-22-008
- THE HOUSING WILL WITHSTAND EXPOSURE TO 260°C PEAK TEMPERATURE FOR 10 SECONDS IN A CONVECTION, INFRARED DR VAPOR PHASE REFLOW OVEN
- CONTACT VIPE: 207 MIN FOR SIGNAL AND 252 MIN FOR GROUND



SCALE 2:1
RECOMMENDED PCB LAYOUT
(ALL TOLERANCES ARE ±0.05)

title	4 LANE VERTICAL	no dwg	10045646	Rev. B
catalog no	SMT HEADER	CUSTOMER		sheet 3 of 3