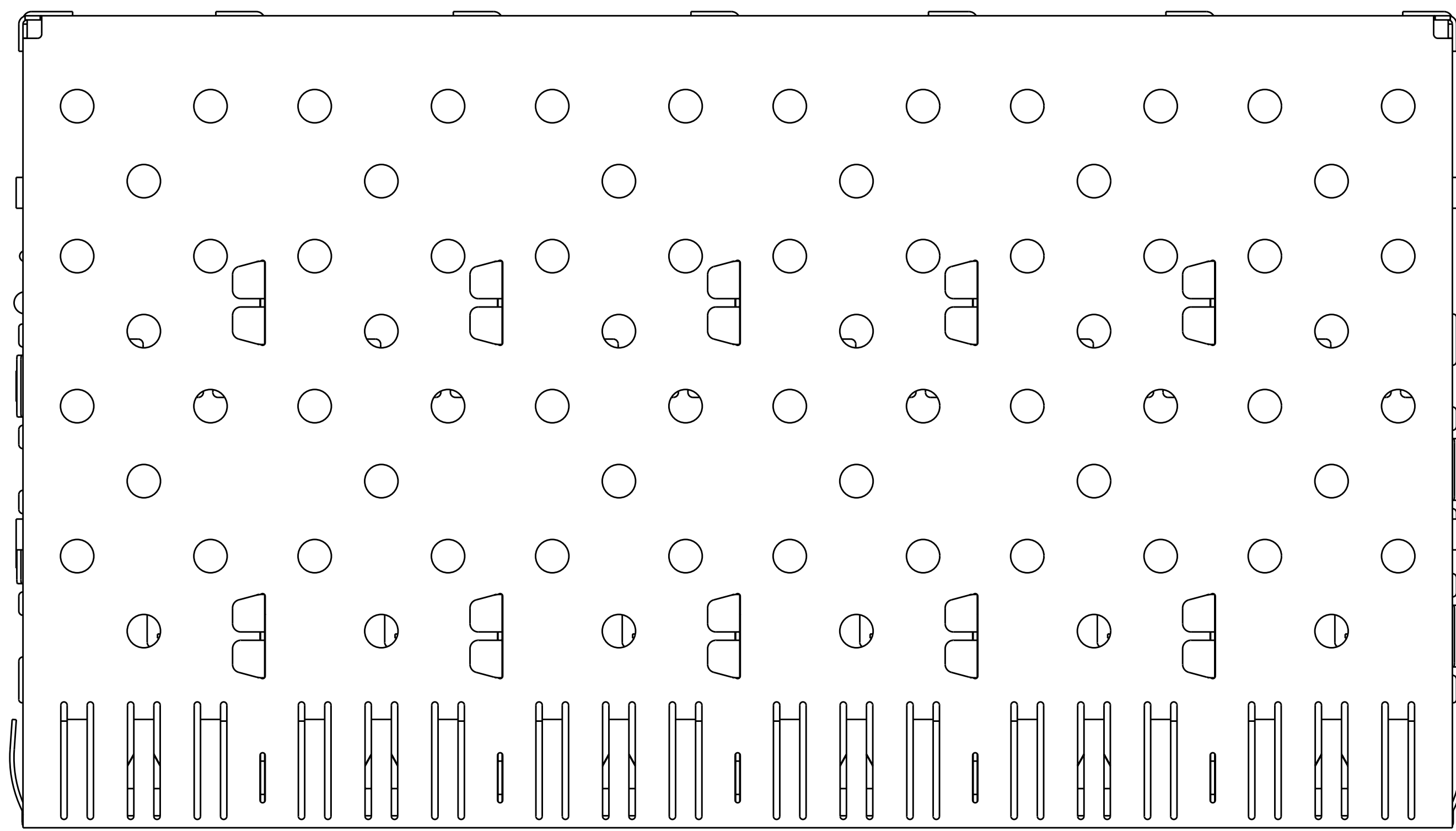
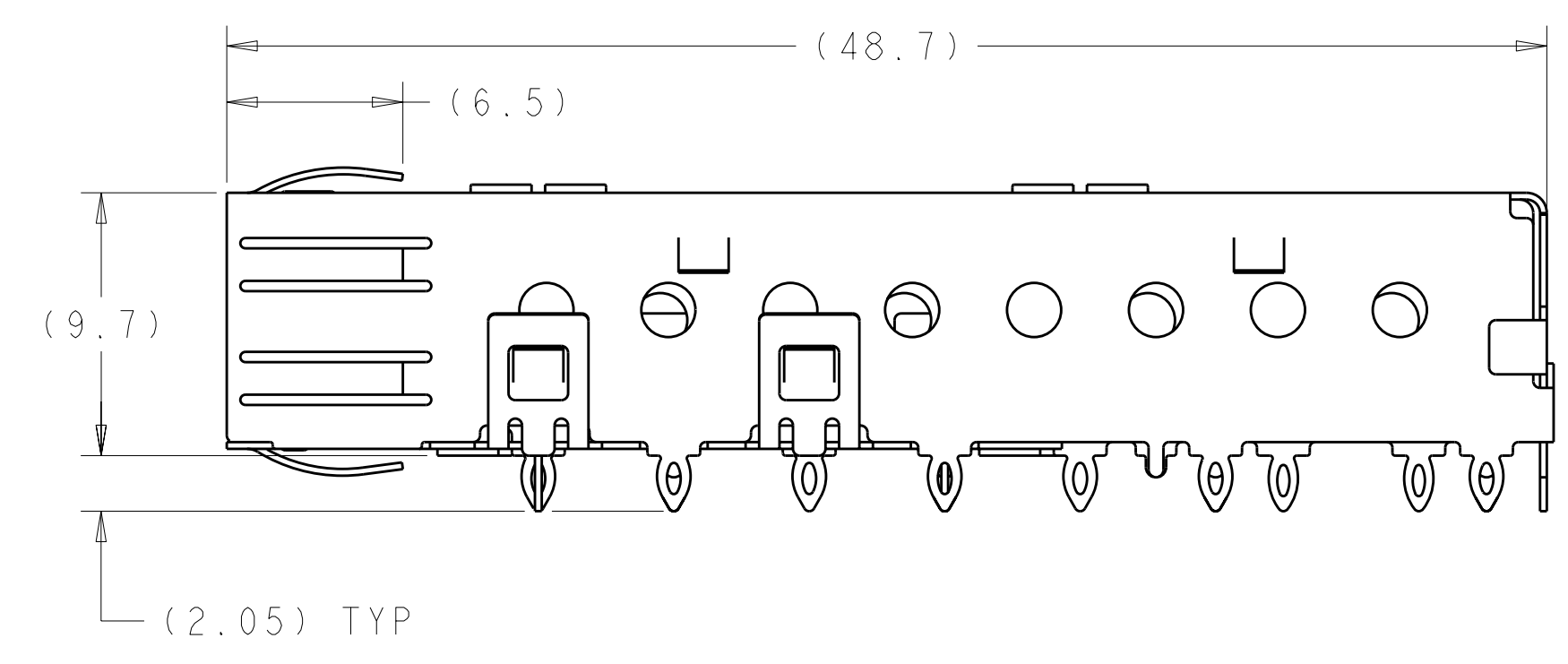
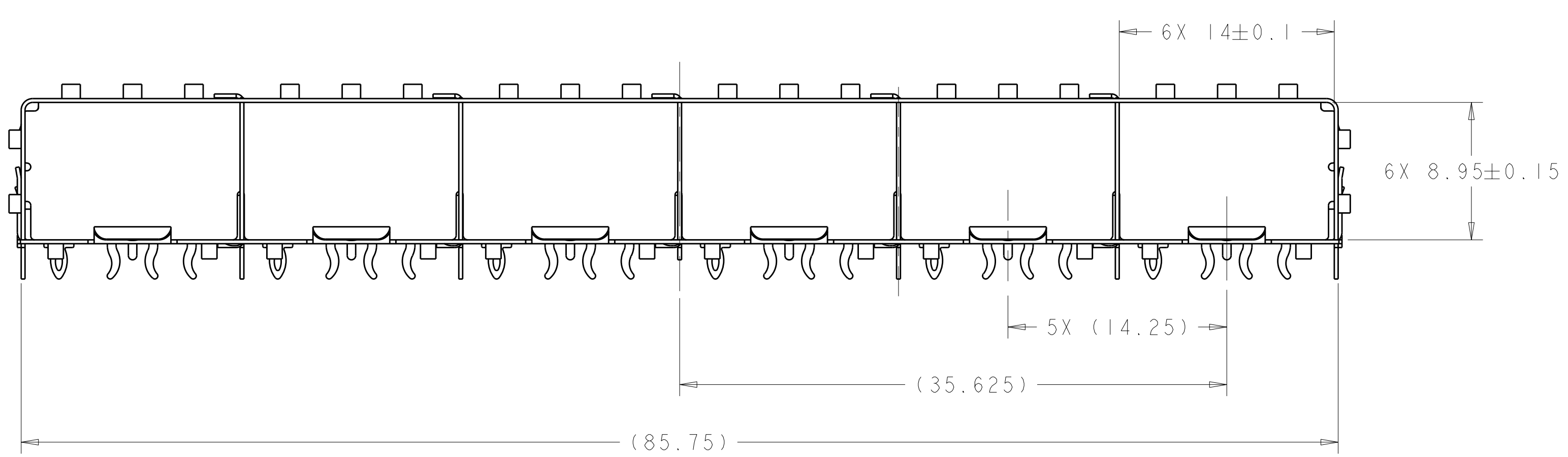


LOC	DIST	REVISIONS			
P	LTR	DESCRIPTION	DATE	DWN	APVD
GP	00	A	INITIAL RELEASE	07DEC2011	JY AC

- △ MATERIAL: CAGE ASSEMBLY: 0.25mm THICK NICKEL SILVER ALLOY.
- 2. MATES WITH SFP MSA COMPLIANT TRANSCEIVERS.
- △ PADS AND VIAS CHASSIS GROUND.
- 4. INTERPRETATION OF DATUM REFERENCE FRAME IN ACCORDANCE WITH SECT 4.4.1.1 OF ASME Y14.5M-1994.
- △ MINIMUM PC BOARD THICKNESS:  
SINGLE SIDED = 1.50  
DOUBLE SIDED = 2.25
- △ HOLE PATTERN REPEATS FOR EACH PORT. SPACING BETWEEN PORTS IS 14.25mm.
- △ DATUM AND BASIC DIMENSION ESTABLISHED BY CUSTOMER.
- △ REFERENCE APPLICATION SPEC. 114-13120, HOLE A, FOR RECOMMENDED DRILL HOLE DIAMETER AND PLATING THICKNESS.
- △ REFERENCE APPLICATION SPEC. 114-13120, HOLE B, FOR RECOMMENDED DRILL HOLE DIAMETER AND PLATING THICKNESS.
- 10. CERTAIN MATING TRANCEIVERS MAY REQUIRE ADDITIONAL PCB THICKNESS THAT WOULD BE DETERMINED BY THE CUSTOMER.



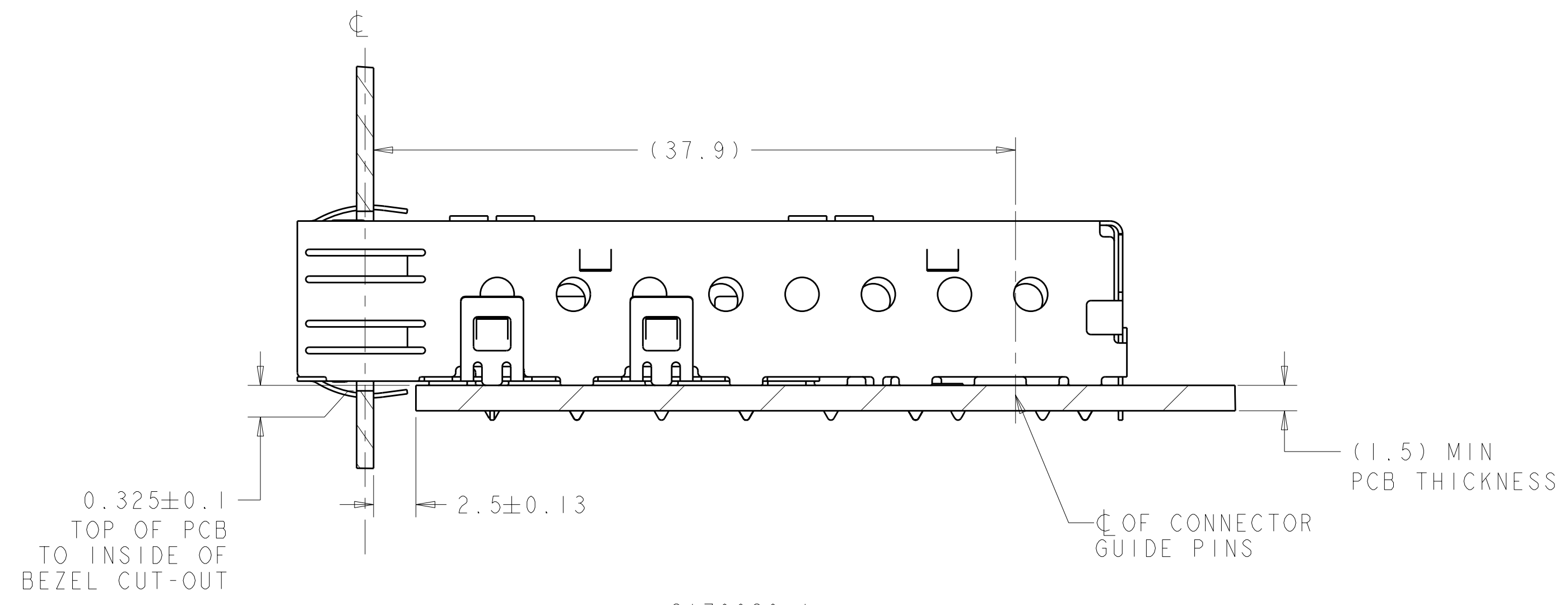
SCALE 4:1



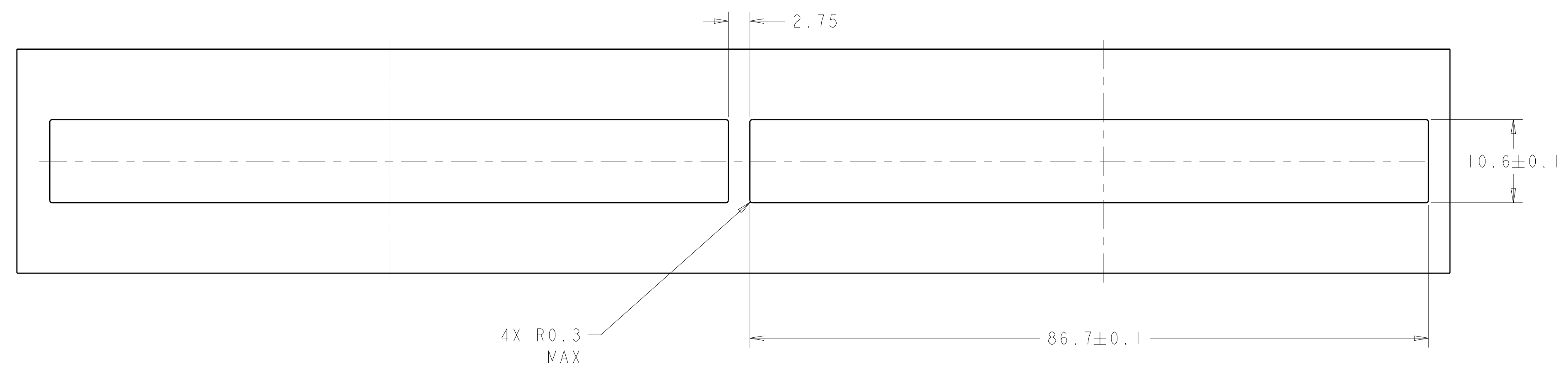
2170080-1  
PART NUMBER

THIS DRAWING IS A CONTROLLED DOCUMENT.		DWN: JASON YANG 25MAR2011	TE Connectivity	
DIMENSIONS: mm		CHK: MANLIAN WANG 25MAR2011	NAME: SFP 1X6 CAGE ASSEMBLY, SPECIAL SPRING HEIGHT, PRESS FIT	
TOLERANCES UNLESS OTHERWISE SPECIFIED:		APVD: MANLIAN WANG 25MAR2011	PRODUCT SPEC: 108-1950	
9 PLC ±0.1		APPLICATION SPEC: 114-13120		
1 PLC ±0.1		SIZE: A100779C=2170080		
2 PLC ±0.1		RESTRICTED TO: CUSTOMER DRAWING		
3 PLC ±0.1		SCALE: 2:1		
4 PLC ±0.0001		SHEET: 1 OF 4		
ANGLES ±1°		REV: A		
FINISH: -		REV: A		

LOC	DIST	REVISIONS					
		P	LTB	DESCRIPTION	DATE	DWN	APVD
GP	00	-	-	SEE SHEET 1	-	-	-



2170080-1  
MOUNTED ON PC BOARD  
SHOWN THRU RECOMMENDED BEZEL  
SCALE 4:1



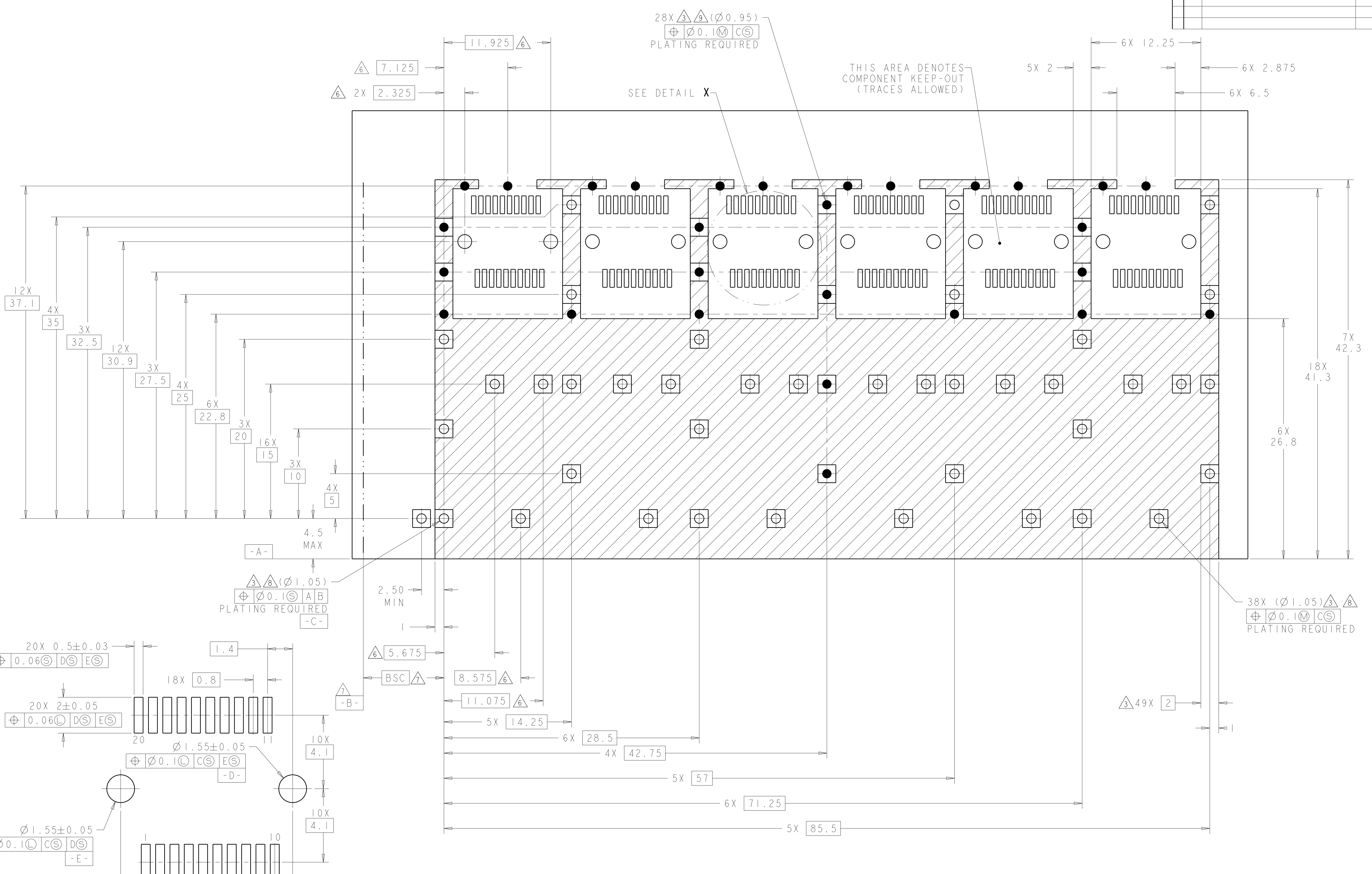
RECOMMENDED BEZEL CUT-OUT  
SINGLE SIDED APPLICATIONS  
SCALE 5:2

THIS DRAWING IS A CONTROLLED DOCUMENT.		DWN	JASON YANG	25MAR2011	TE Connectivity
DIMENSIONS:		CHK	MANLIAN WANG	25MAR2011	
TOLERANCES UNLESS OTHERWISE SPECIFIED:		APVD	MANLIAN WANG	25MAR2011	NAME
mm	0 PLC ±0.1	PRODUCT SPEC			SFP 1X6 CAGE ASSEMBLY, SPECIAL SPRING HEIGHT, PRESS FIT
	1 PLC ±0.1	APPLICATION SPEC			SIZE
	2 PLC ±0.1	114-13120			CAGE CODE
	3 PLC ±0.1	WEIGHT			DRAWING NO
	4 PLC ±0.0001	CUSTOMER DRAWING			A100779C=2170080
	ANGLES ±1°	SCALE			5:1
MATERIAL	FINISH	SHEET			2 OF 4
		REV			A

LOC	DIST	REV	DATE	BY	APPD
GP	00				

REVISIONS			
NO.	DESCRIPTION	DATE	BY
1	SEE SHEET 1		

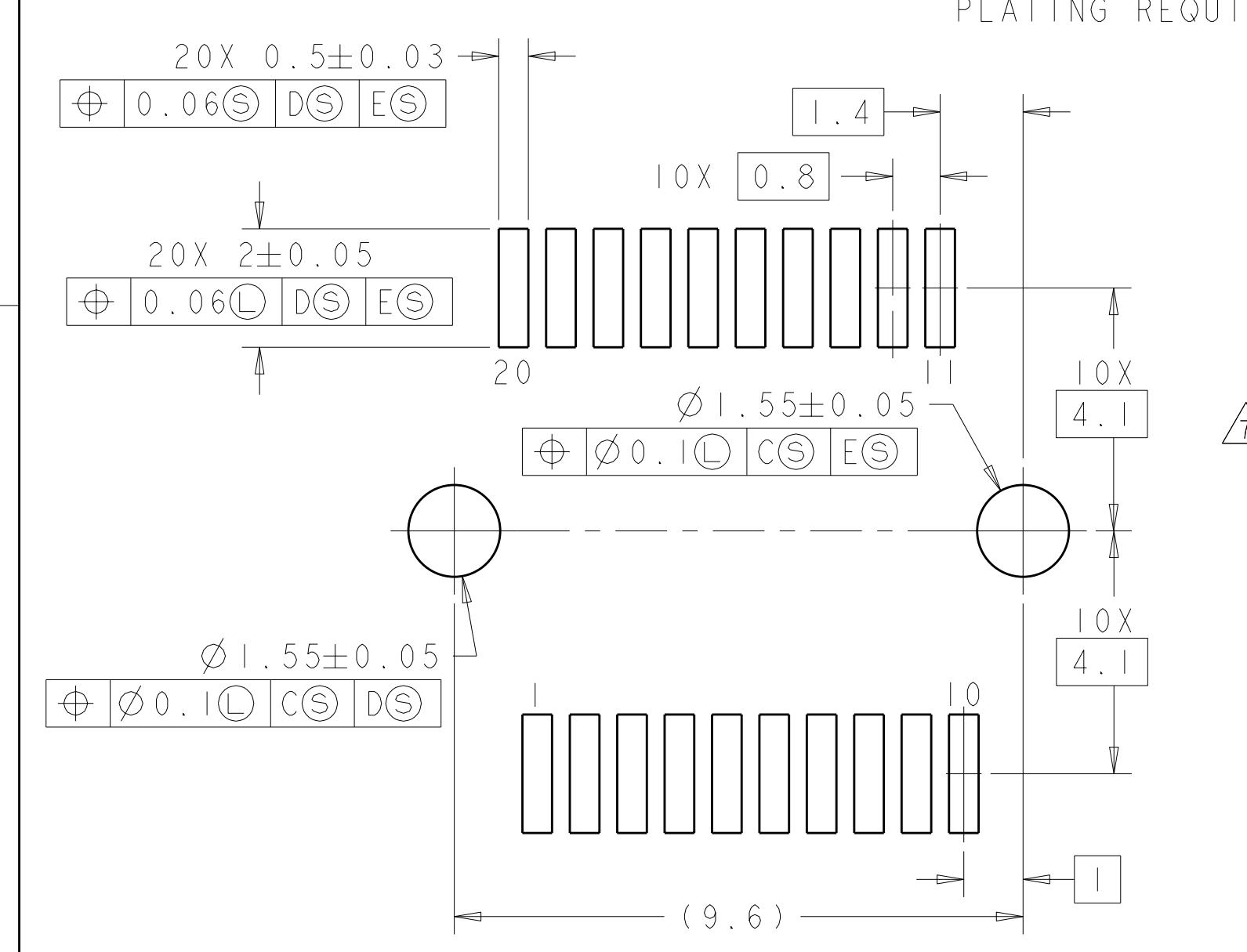
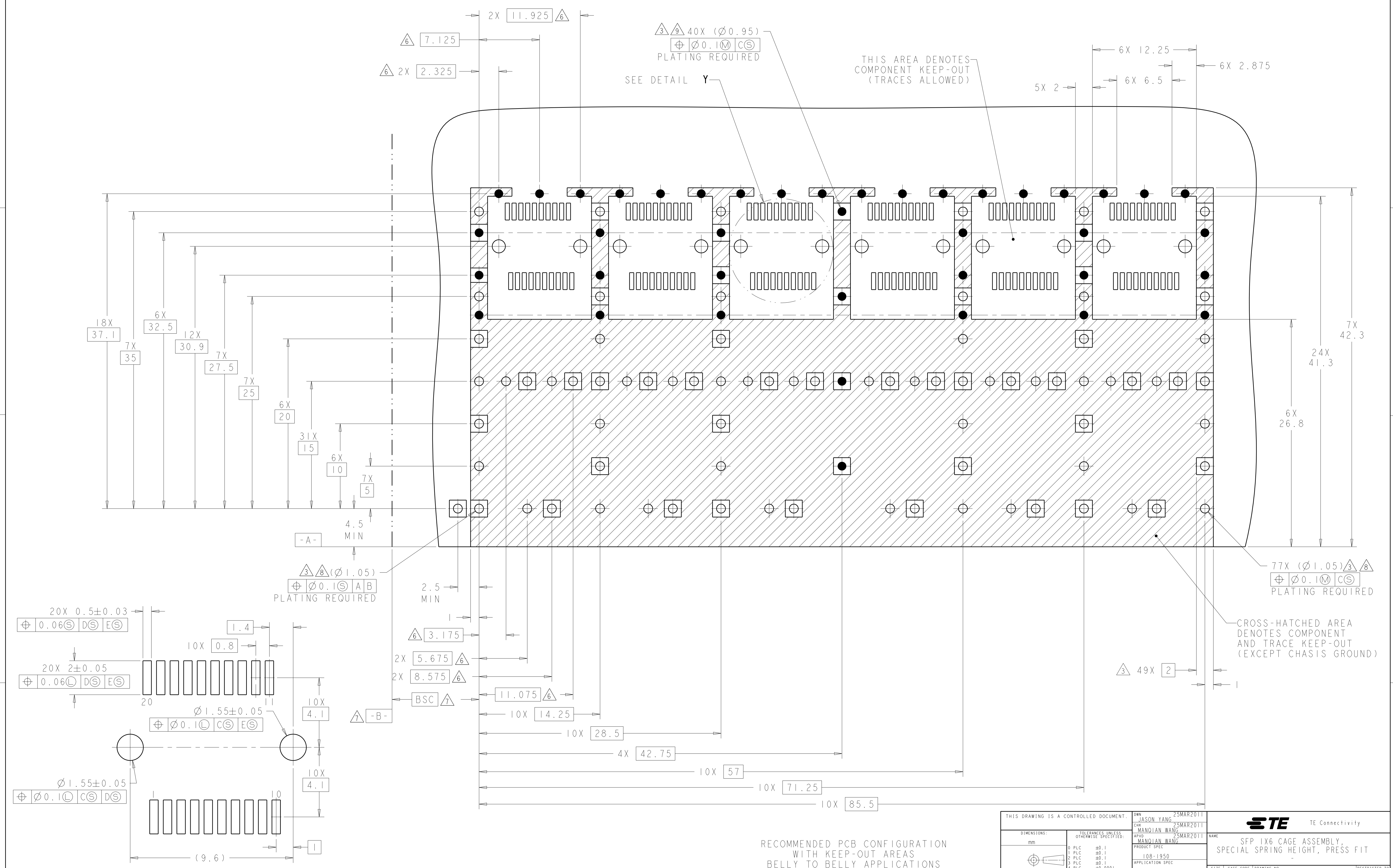


DETAIL X  
 RECOMMENDED PT CONNECTOR LAYOUT  
 6X INDIVIDUALLY  
 SCALE 10:1

RECOMMENDED PCB CONFIGURATION  
 WITH KEEP-OUT AREAS  
 SINGLE SIDED APPLICATIONS  $\frac{3}{8}$

THIS DRAWING IS A CONTROLLED DOCUMENT.		DWN: JASON YANG 25MAR2011 CHK: MANLIAN WANG 25MAR2011 APVD: MANLIAN WANG 25MAR2011	NAME: SFP 1X6 CAGE ASSEMBLY, SPECIAL SPRING HEIGHT, PRESS FIT PRODUCT SPEC: 108-1950 APPLICATION SPEC: 114-13120
DIMENSIONS: mm TOLERANCES UNLESS OTHERWISE SPECIFIED: 9 PLC $\pm 0.1$ 1 PLC $\pm 0.1$ 5 PLC $\pm 0.1$ 4 PLC $\pm 0.1$ ANGLES $\pm 0.0001$	FINISH: #10	WEIGHT: - CUSTOMER DRAWING	SIZE: A100779 CAGE CODE: C=2170080 SCALE: 5:1 SHEET: 3 OF 4 REV: A

LOC	DIST	REV	DATE	BY	APPD
GP	00				
REVISIONS			DESCRIPTION	DATE	DWN
-			SEE SHEET 1	-	-



THIS DRAWING IS A CONTROLLED DOCUMENT.		DWN: JASON YANG 25MAR2011	STE TE Connectivity	
DIMENSIONS: mm		CHK: MANLIAN WANG 25MAR2011	NAME: SFP 1X6 CAGE ASSEMBLY, SPECIAL SPRING HEIGHT, PRESS FIT	
TOLERANCES UNLESS OTHERWISE SPECIFIED:		APVD: MANLIAN WANG 25MAR2011	PRODUCT SPEC: 108-1950	
9 PLC ±0.1		PRODUCT SPEC: 114-13120	APPLICATION SPEC: 114-13120	
1 PLC ±0.1		WEIGHT: -	SCALE: 5:1	
3 PLC ±0.1		CUSTOMER DRAWING	SHEET 4 OF 4	
4 PLC ±0.1			REV A	
ANGLES ±0.0001				
FINISH: #10				