

Application

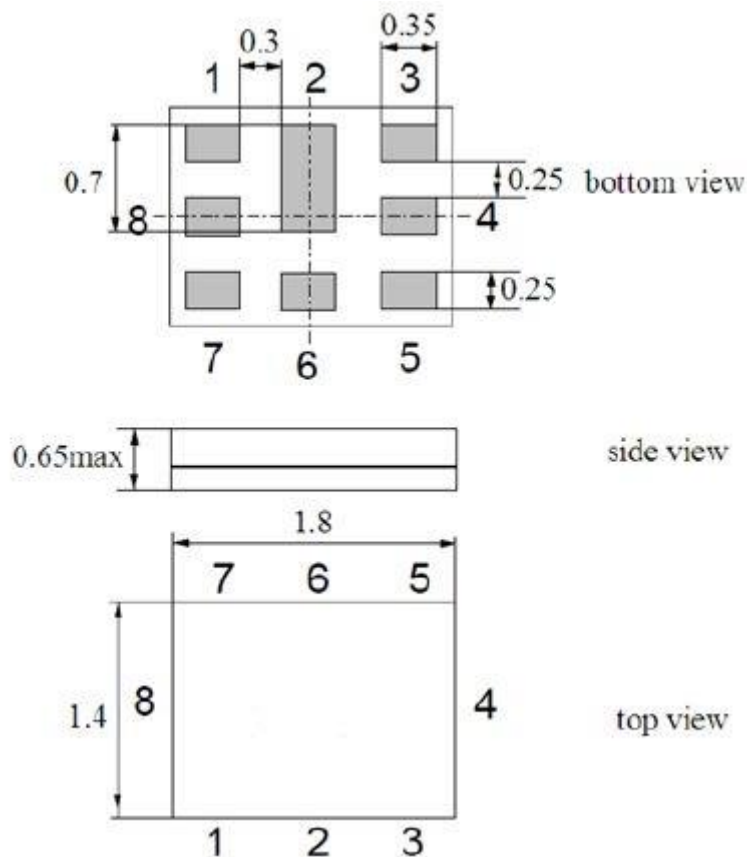
- Low-loss Saw Duplexer for mobile telephone LTE and WCDMA Band V systems.
- Low insertion attenuation and low passband ripple.
- Usable passband 25 MHz
- High isolation between Tx and Rx.
- Single ended to balanced transformation in Antenna – Rx path

Electrical Specifications

Parameters		Specification	Unit	
Tx to ANT	Insertion Loss, typ/max	824 ~ 849 MHz	1.8 / 2.3	
	Amplitude Ripple, typ/max	824 ~ 849 MHz	0.4 / 1.3	
	VSWR, typ/max	ANT	824 ~ 849 MHz	-
		Tx	824 ~ 849 MHz	-
	Input Power (+50°C, 5000h, CW)	824 ~ 849 MHz	29	dBm
	Attenuation, min/typ	10 ~ 420 MHz	40 / 45	dB
		420 ~ 494 MHz	38 / 42	dB
		494 ~ 764 MHz	35 / 39	dB
		764 ~ 804 MHz	30 / 37	dB
		860 ~ 869 MHz	3 / 10	dB
		869 ~ 894 MHz	45 / 52	dB
		1236 ~ 1341 MHz	40 / 47	dB
		1574 ~ 1577 MHz	35 / 39	dB
		1638 ~ 1708 MHz	33 / 36	dB
		1844.9 ~ 1990 MHz	30 / 33	dB
		2110 ~ 2170 MHz	28 / 31	dB
2400 ~ 2557 MHz		25 / 28	dB	
ANT to Rx	Center Frequency		881.500	
	Insertion Loss, typ/max	869 ~ 894 MHz	1.8 / 2.3	
	Amplitude Ripple, typ/max	869 ~ 894 MHz	0.5 / 1.3	
	VSWR, typ/max	ANT	869 ~ 894 MHz	-
		Rx	869 ~ 894 MHz	-
	Attenuation, min/typ	10 ~ 824 MHz	45 / 58	dB
		824 ~ 849 MHz	50 / 60	dB
		849 ~ 854 MHz	10 / 50	dB
		909 ~ 914 MHz	10 / 20	dB
		914 ~ 940 MHz	20 / 27	dB
		940 ~ 1693 MHz	40 / 52	dB
1693 ~ 1850 MHz		45 / 54	dB	
1850 ~ 5000 MHz	40 / 48	dB		

		5000 ~ 6000 MHz	30 / 42	dB
Tx to Rx	Isolation, min/typ	824 ~ 849 MHz	56 / 60	dB
		869 ~ 894 MHz	51 / 56	dB
		Terminating Impedance	Tx Port	50 // 30
		Rx Port	100 // 55	Ω //nH
		ANT Port	50 // 8.2	Ω //nH
DC Voltage			5	V
ESD Voltage ESD (MM)			50	V
Sensitive Discharge Device ESD (HBM)			175	V
Operating Temperature Range			-30 ~ +85	$^{\circ}$ C
Storage Temperature Range			-40 ~ +85	$^{\circ}$ C
MSL			2	-

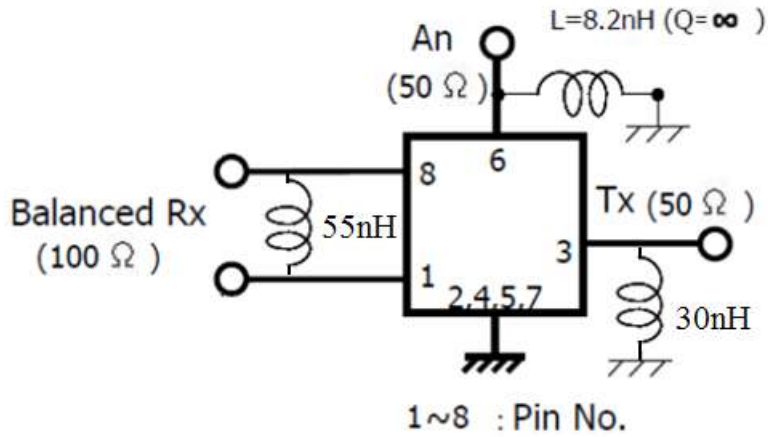
Dimension



Unit: mm

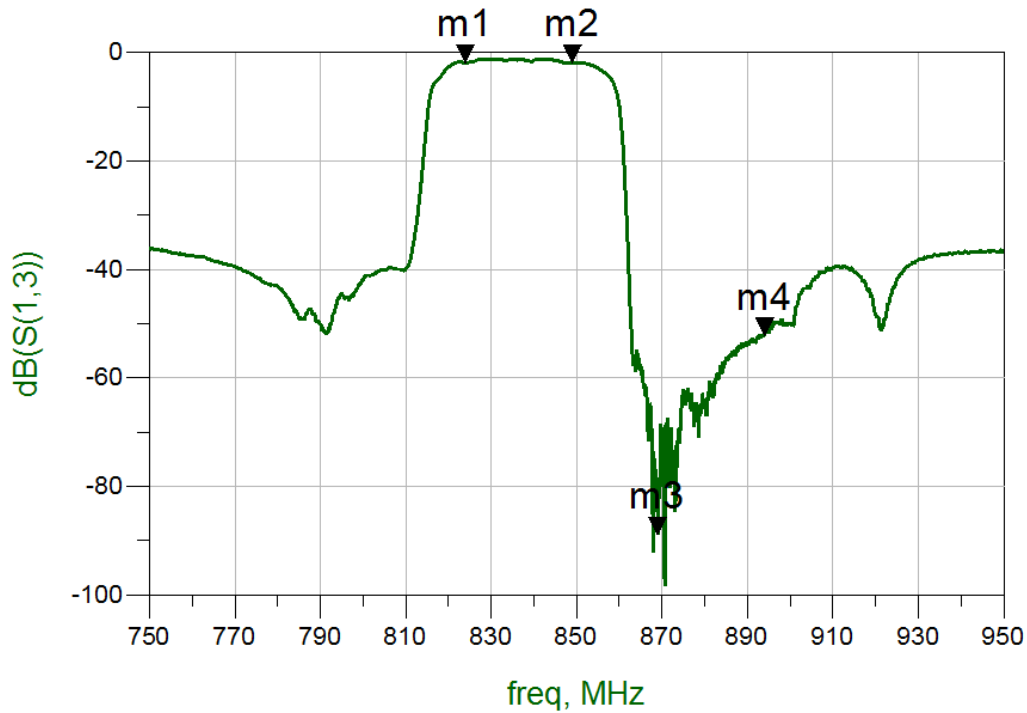
PIN	SYMBOL	FUNCTION
1	Rx	Rx Output
2,4,5,7,8	GND	Ground
3	Tx	Tx Input
6	ANT	Antenna

Test Circuit

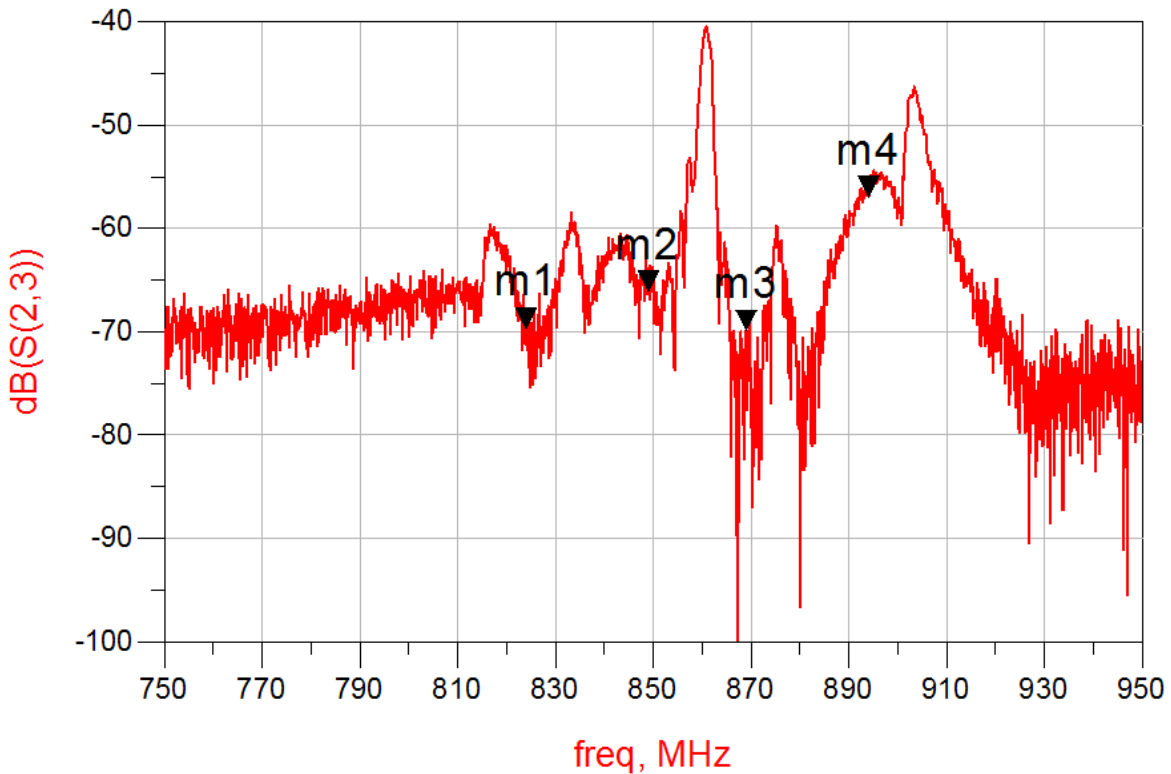
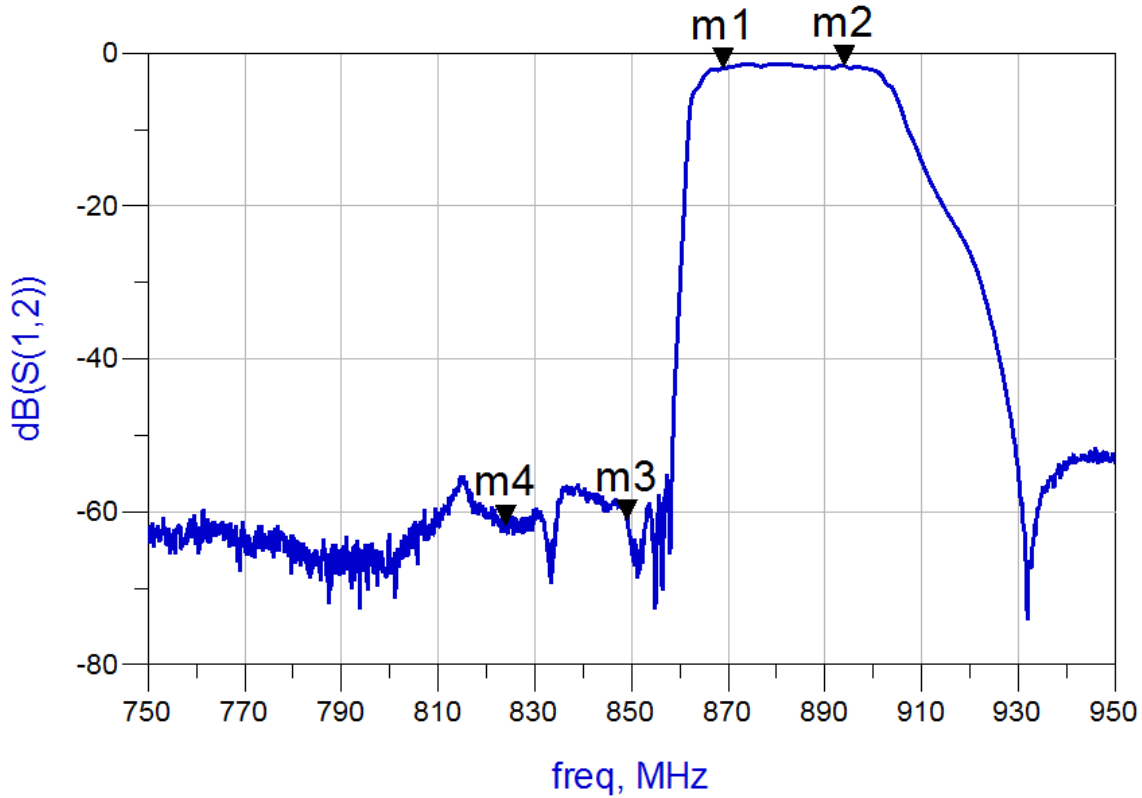


Frequency Characteristics

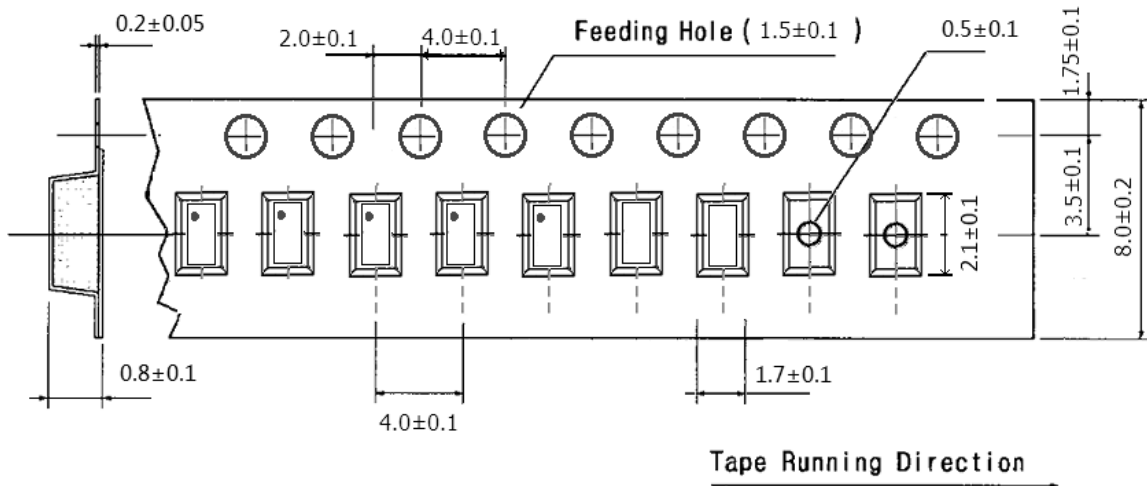
Tx to Ant



Ant to Rx



Tape Dimension



● APPROVAL

DRAWN BY	AR, August 10, 2021
APPROVED BY	CP, August 10, 2021
REVISION	A, Initial Release



Raltron Electronics / RAMI Technology USA, LLC, including its affiliates, employees, agents and other persons acting on its behalf (collectively Raltron/RAMI Tech), disclaim any and all liability for any errors or inaccuracies contained in this data sheet. While Raltron/RAMI Tech has made every reasonable effort ensure the accuracy of all product information, specifications and data contained herein, Raltron/RAMI Tech does not guarantee that the information is accurate, reliable or current. The product information is provided only for reference purposes only and is subject to change, correction or revision, at any time without notice. Raltron/RAMI Tech does not assume any liability arising out of an application or use of any product described herein and disclaims any warranties expressed or implied. The user of products in such applications shall assume all risks of such use and will agree to hold Raltron/RAMI Tech, harmless against all damages.

Copyright © 2016, Raltron Electronics / RAMI Technology USA, LLC. All rights reserved. No part of this document may be reproduced in any form without the prior written permission of Raltron Electronics / RAMI Technology USA, LL