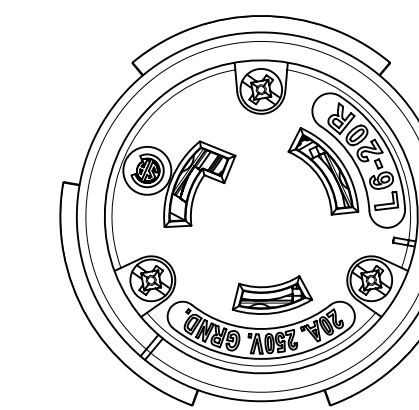
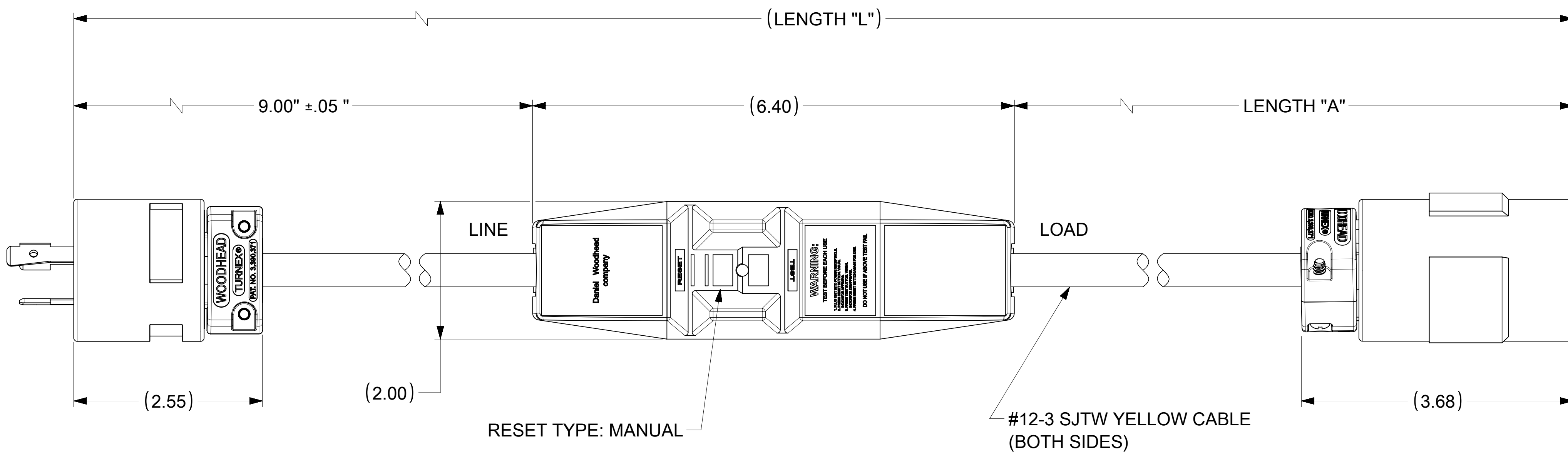
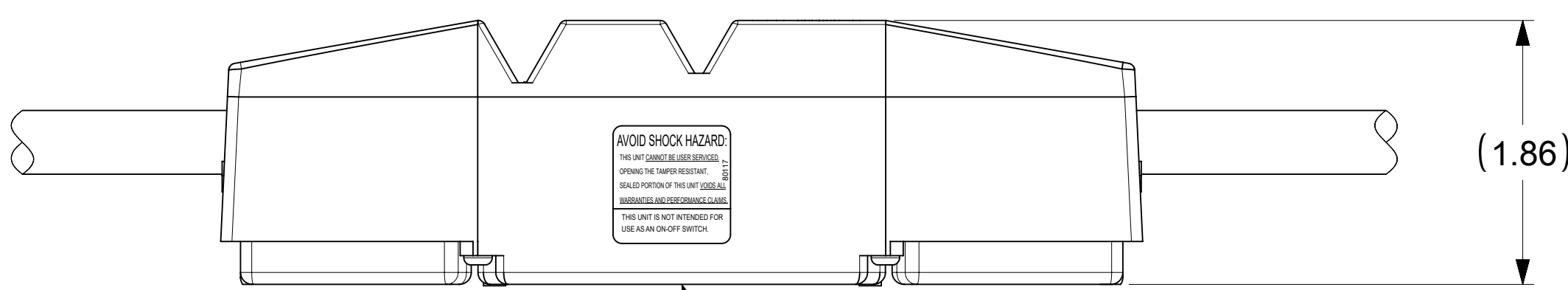


SHOWN AS 2648



SHOWN AS 2748



INLINE GFCI

TECHNICAL

AGENCY APPROVAL:	cULus
RATED SUPPLY VOLTAGE:	240VAC
RATED CURRENT:	UP TO 20 AMPS
RESET TYPE:	MANUAL
OPERATING FREQUENCY:	60 Hz
TYPE:	CLASS A
GROUND TRIP CURRENT:	4-6 mA
OVERLOAD CURRENT:	120 AMP
INSULATION VOLTAGE:	1,500 VRMS - 1 MINUTE
ENDURANCE OPERATIONS:	3000 OPERATIONS

MATERIAL NO.	PART NO.	LENGTH "A"	LENGTH "L"	INPUT PLUG	OUTPUT CONNECTOR	INLINE GFCI P/N
1301530145	20054-1	9.00 IN. ± 0.5"	2 FT. 0.4 IN. ± 1"	2648	2748	30-0905
1301530147	20054-6	5.0 FT. ± 1.0"	6 FT. 3.4 IN. ± 1.5"	2648	2748	30-0906
1301530146	20054-25	24.0 FT. +2.0"/-0.0"	25 FT. 3.4 IN. +2.5"/-0.5"	2648	2748	30-0907

FUNCTIONAL SYMBOLS $\nabla_A = 0$ $\nabla_C = 0$ $\nabla_D = 0$	THIS DRAWING CONTAINS INFORMATION THAT IS PROPRIETARY TO MOLEX ELECTRONIC TECHNOLOGIES, LLC AND SHOULD NOT BE USED WITHOUT WRITTEN PERMISSION		CURRENT REV DESC: NEW SALES DRAWING CREATED		
	DIMENSION UNITS	SCALE	EC NO: 688699		
	INCH	NTS	DRWN: PPURSUTANDEL	2021/12/13	
	GENERAL TOLERANCES (UNLESS SPECIFIED)		CHK'D: DNGUYEN62	2022/01/19	
DIVISIONAL SYMBOLS 4 PLACES ± 3 PLACES ± 2 PLACES ± 1 PLACE ± 0 PLACES ±	ANGULAR TOL ± °		APPR: HKNEELAND	2022/01/20	PRODUCT CUSTOMER DRAWING DOCUMENT NUMBER: 1301530145 DOC TYPE: PSD DOC PART: 000 REVISION: A
	DRAFT WHERE APPLICABLE MUST REMAIN WITHIN DIMENSIONS		DRWN: PPURSUTANDEL	2021/12/13	
	THIRD ANGLE PROJECTION		APPR: HKNEELAND	2022/01/20	
	DRAWING SERIES: D-SIZE 130153		MATERIAL NUMBER: SEE TABLE CUSTOMER: GENERAL MARKET		