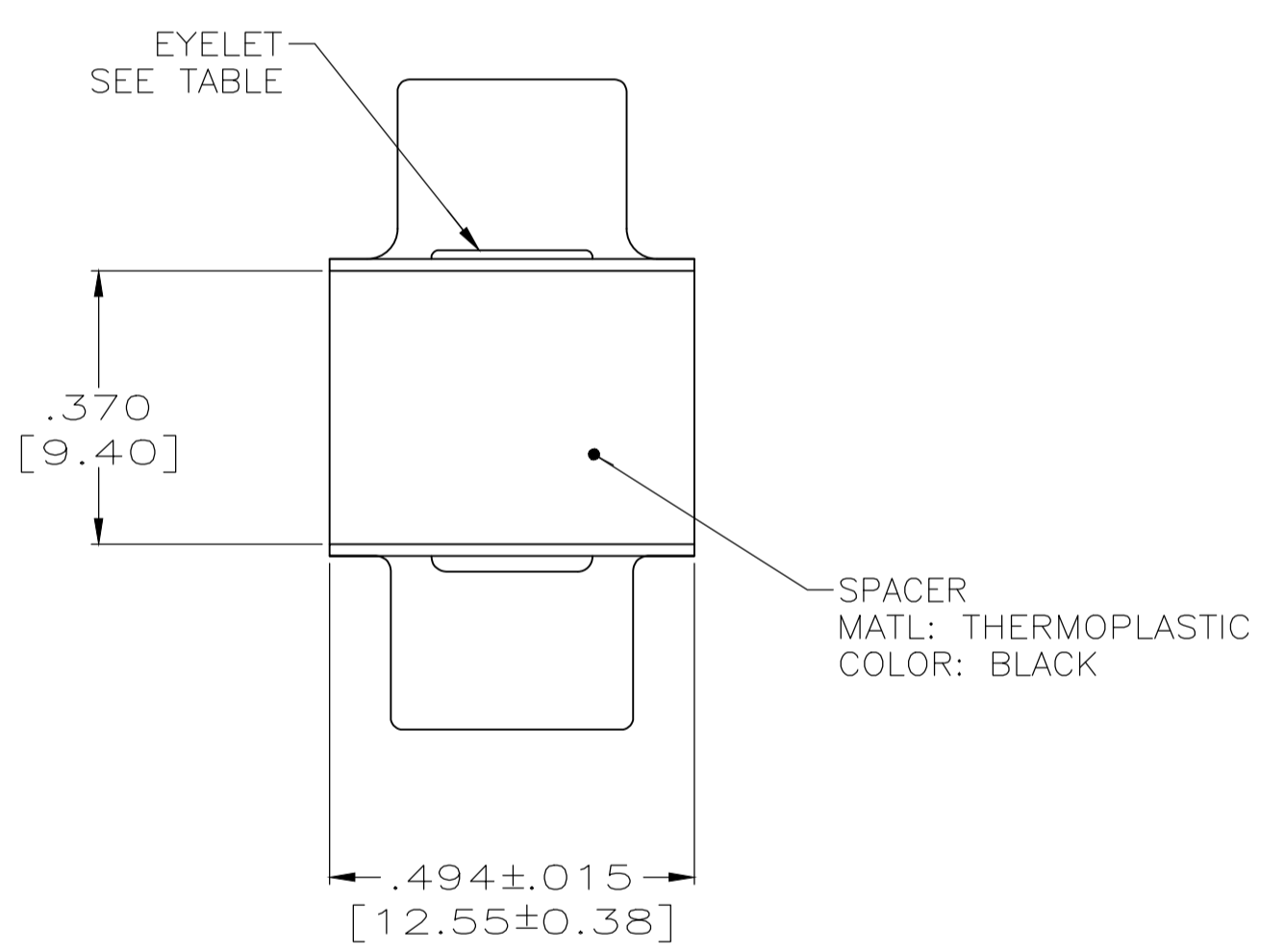
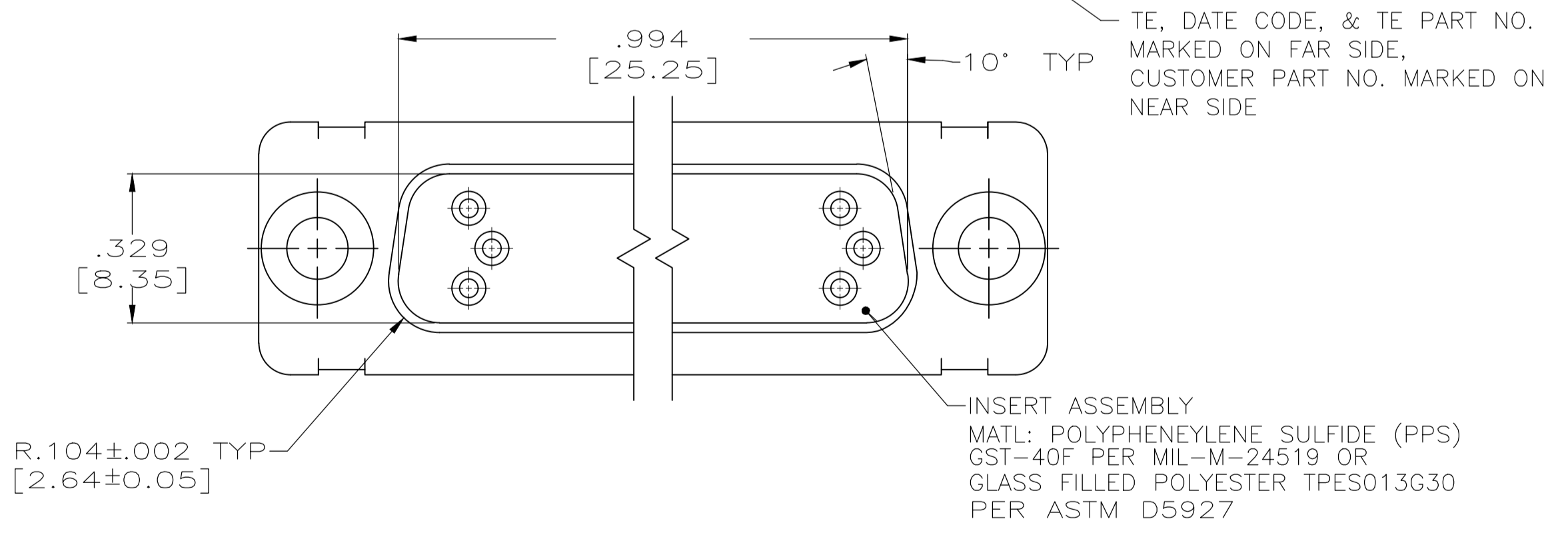
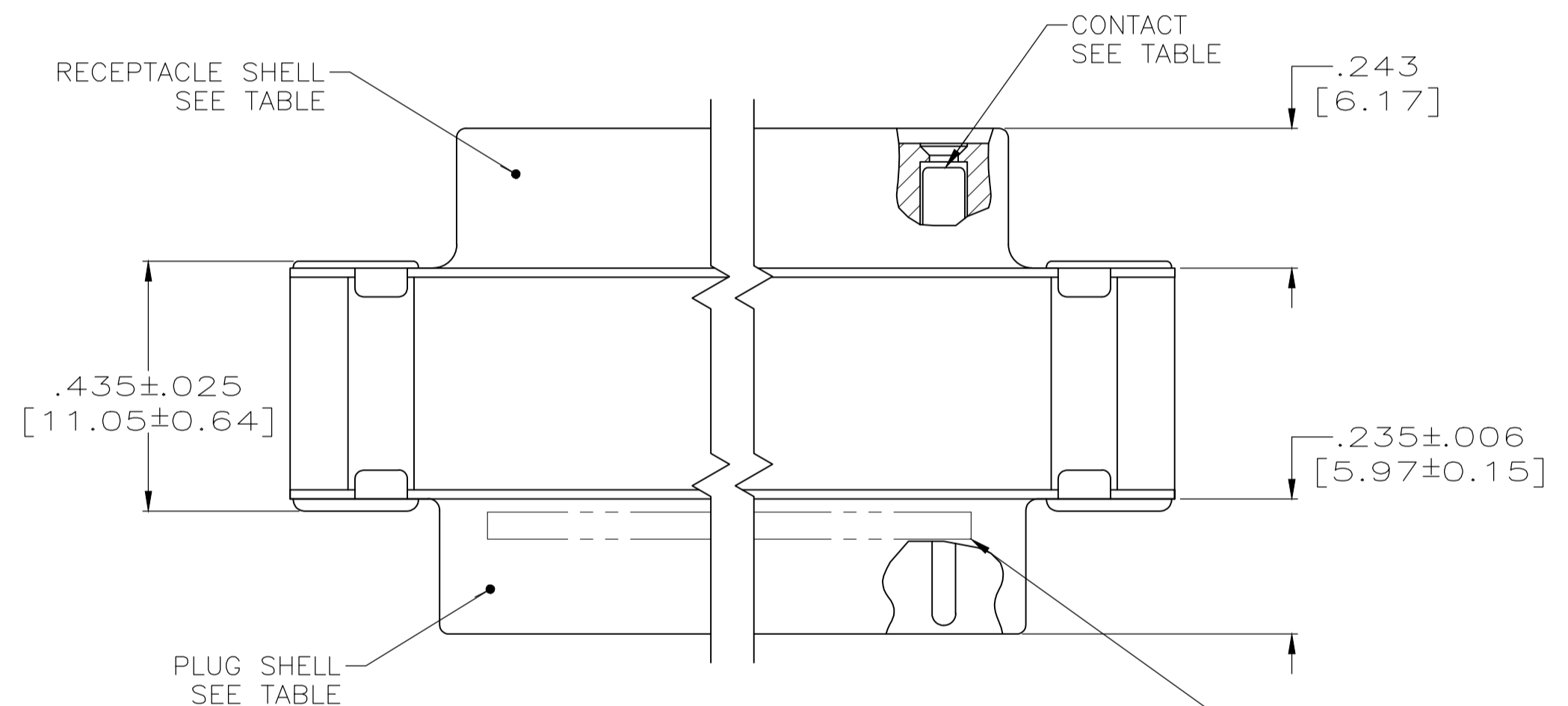
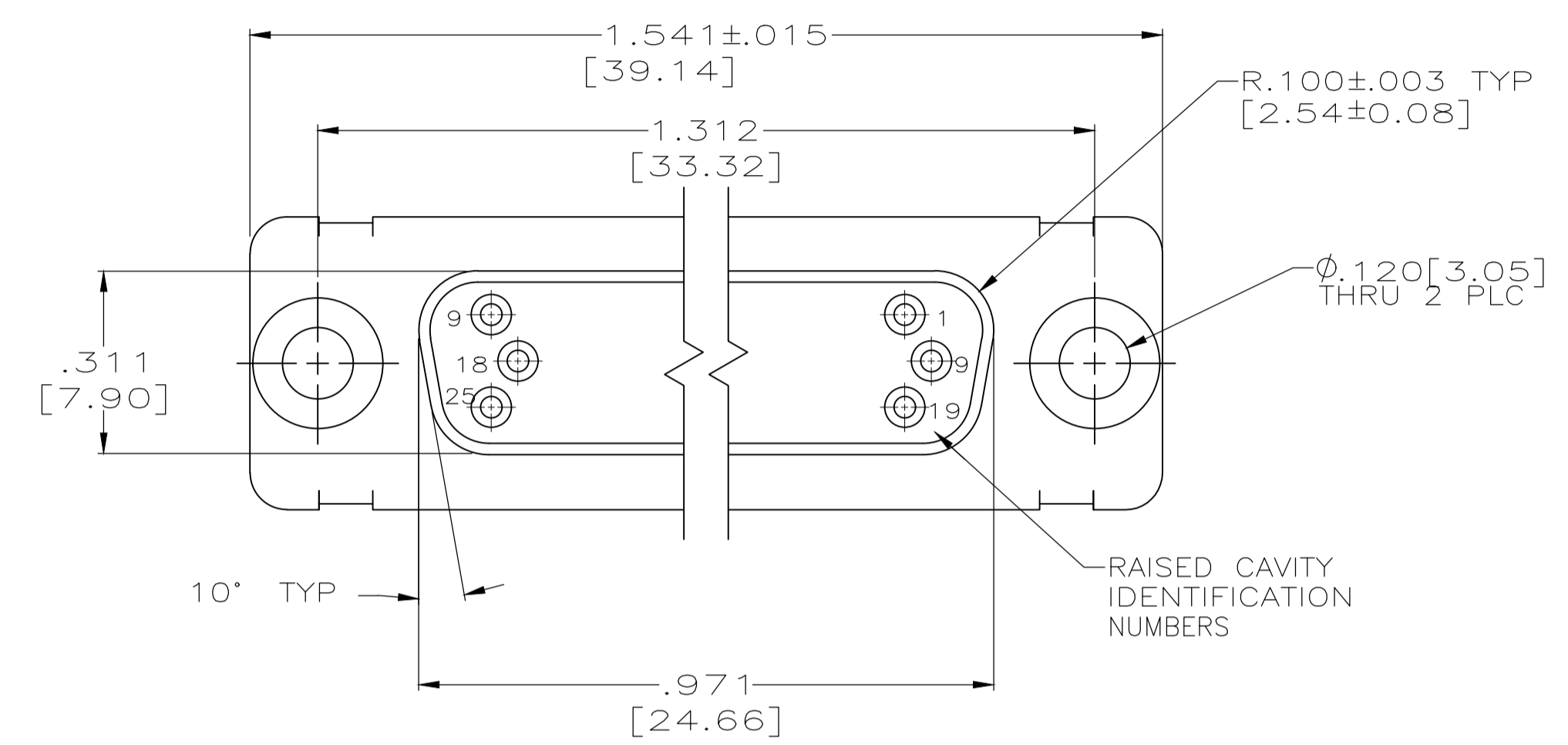
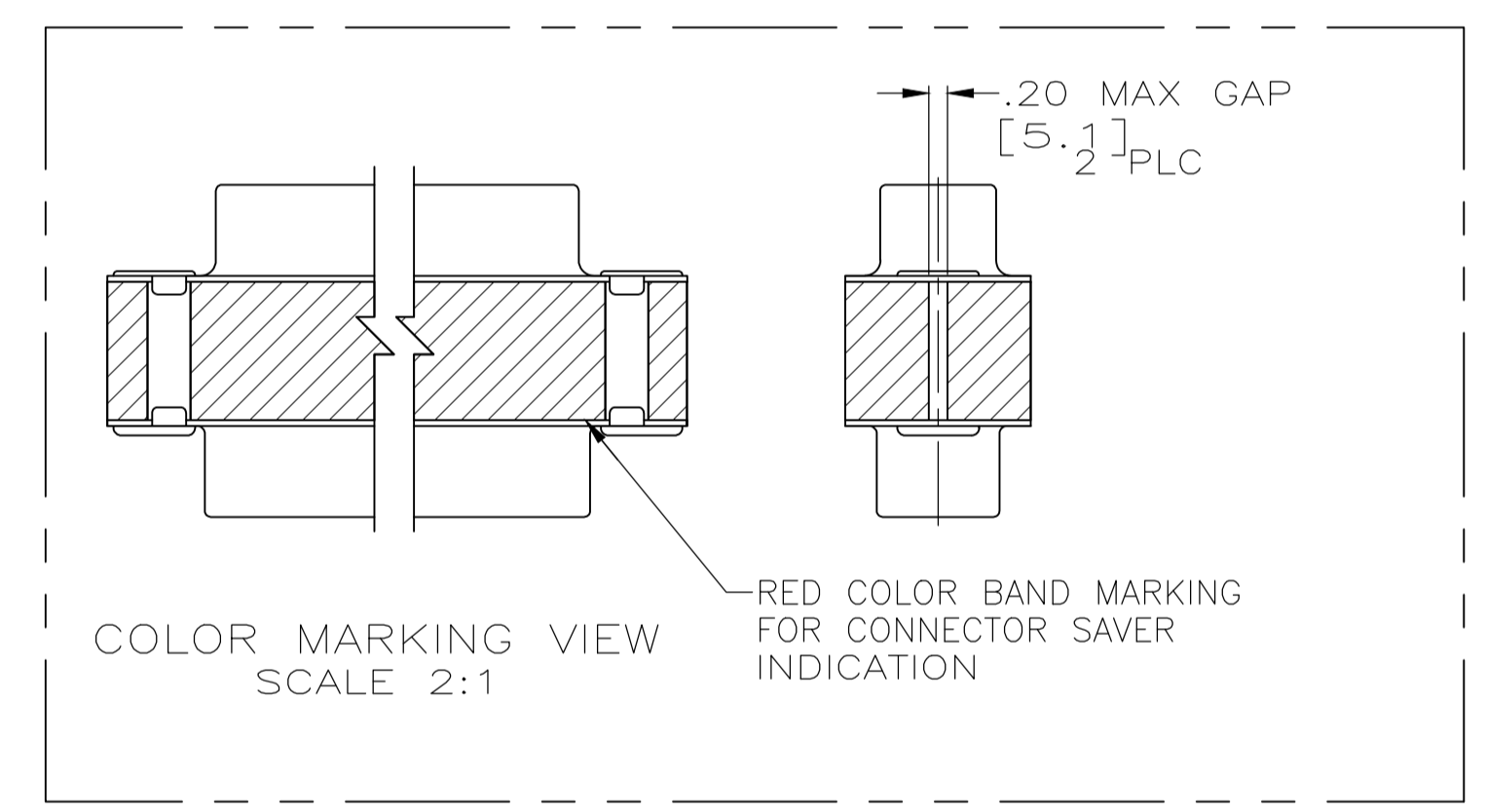


REVISIONS					
P	LTR	DESCRIPTION	DATE	DMN	APVD
F	REV PER ECO	19-019228	4-16-20	CT	DM



- 1. CONTACTS INCLUDED IN ASSEMBLY.
- CONTACT
- BODY MATL: BERYLLIUM COPPER PER ASTM-B-197.
- BODY FINISH: PLATED GOLD, .000050 MIN THK PER MIL-G-45204 OVER NICKEL, .000050 MIN THK PER QQ-N-290.
- HOOD MATL: STAINLESS STEEL PER ASTM-A-167.
- HOOD FINISH: PASSIVATED PER ASTM-A-380.
- MATL: BRASS PER ASTM-B-36.
- FINISH: PLATED GOLD, .000050 MIN THK PER MIL-G-45204 OVER COPPER, .000100 MIN THK PER MIL-C-14550.



4U884	SOCN	R10002677-0007	1218309-2
		(1J02-007)	1218309-1
EYELET	SHELLS	CONTACT	CUSTOMER P/N
			PART NO.

THIS DRAWING IS A CONTROLLED DOCUMENT.		DIN	T. THOMPSON	19AUG98
DIMENSIONS: INCHES		CHK	J. NORTON	19AUG98
TOLERANCES UNLESS OTHERWISE SPECIFIED:		APVD	J. NORTON	19AUG98
0 PLC	± -	NAME	AMPLITE CONNECTOR SAVER	
1 PLC	± -	PRODUCT SPEC	SERIES 90, SIZE 2, 26 POS	
2 PLC	± -	APPLICATION SPEC	NON-REMOVABLE CONTACTS	
3 PLC	± .005(0.13)	SIZE	CAGE CODE	DRAWING NO
4 PLC	± -	WEIGHT	0.000000	A1 00779
ANGLES	± -	CUSTOMER DRAWING	SCALE	4:1
			SHEET	1 OF 1
			REV	F