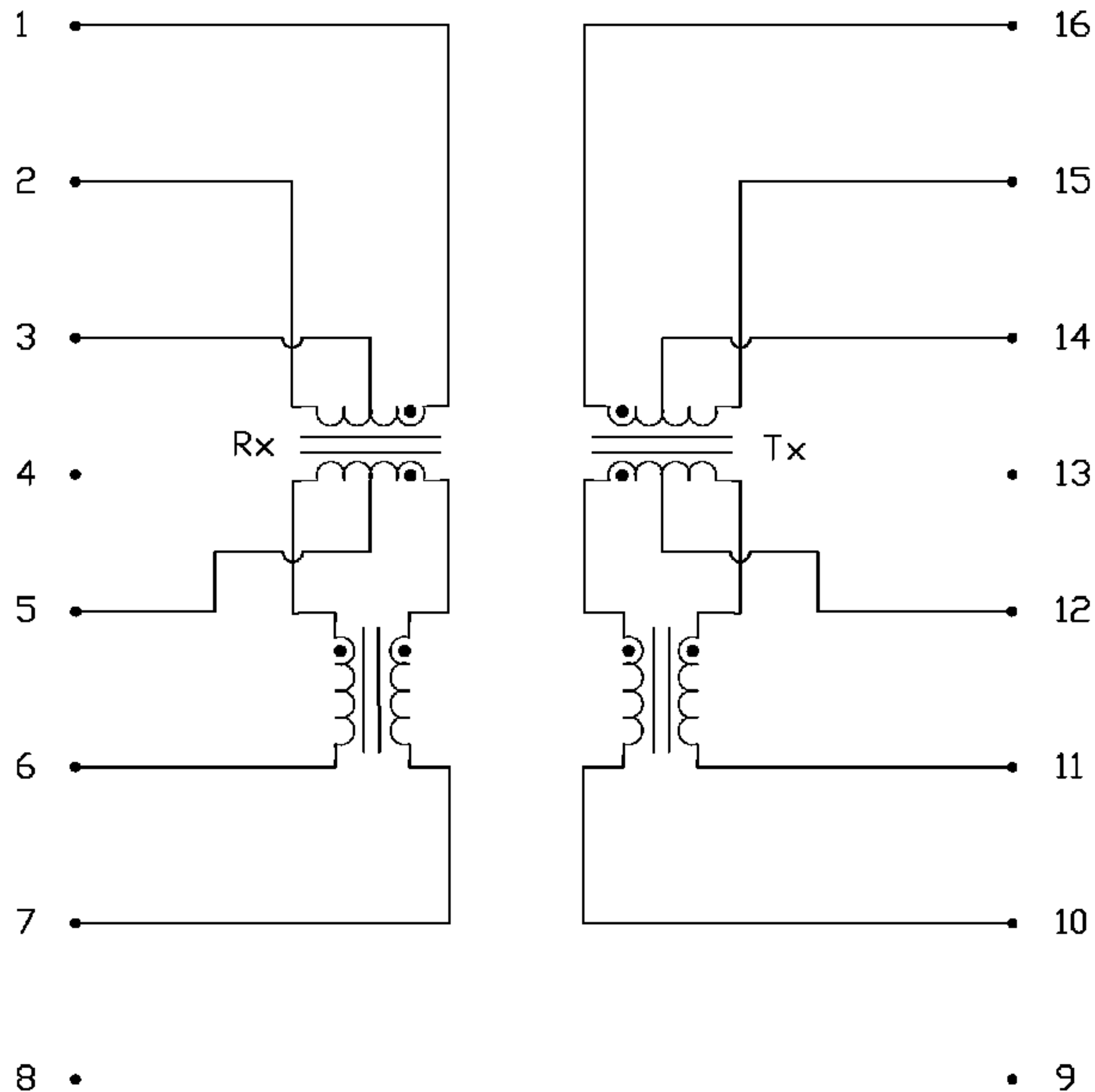


THE INFORMATION CONTAINED HEREIN IS CONSIDERED "PROPRIETARY" TO BEL FUSE INC. AND SHALL NOT BE COPIED, REPRODUCED OR DISCLOSED WITHOUT THE WRITTEN APPROVAL OF BEL FUSE INC.

ELECTRICAL CHARACTERISTICS @25°C



SCHEMATIC



URNS RATIO

Rx (1-3-2) : (7-5-6)
Tx (16-14-15) : (10-12-11)

1CT : 1CT
1CT : 1.414CT

PHASING

1 TO 7 AND 16 TO 10
PER DOT CONVENTION

DCL

PIN(1-2) & (10-11)

350uH MIN. AT 100kHz 100mV
WITH 8mA DC BIAS

INSERTION LOSS

1.2dB MAX. AT 100kHz TO 100MHz

RETURN LOSS

MEASURED UNDER A 100 Ω
ENVIRONMENT

FREQ. (MHz)	1	10	30	60	80	100
dB MIN	20	20	18	14	13	10

COMMON TO DIFFERENTIAL MODE REJECTION

FREQ. (MHz)	1	10	50	100	200
dB MIN	65	50	35	25	20

CROSSTALK

30dB MIN. AT 100kHz TO 100MHz

COMMON TO COMMON MODE REJECTION

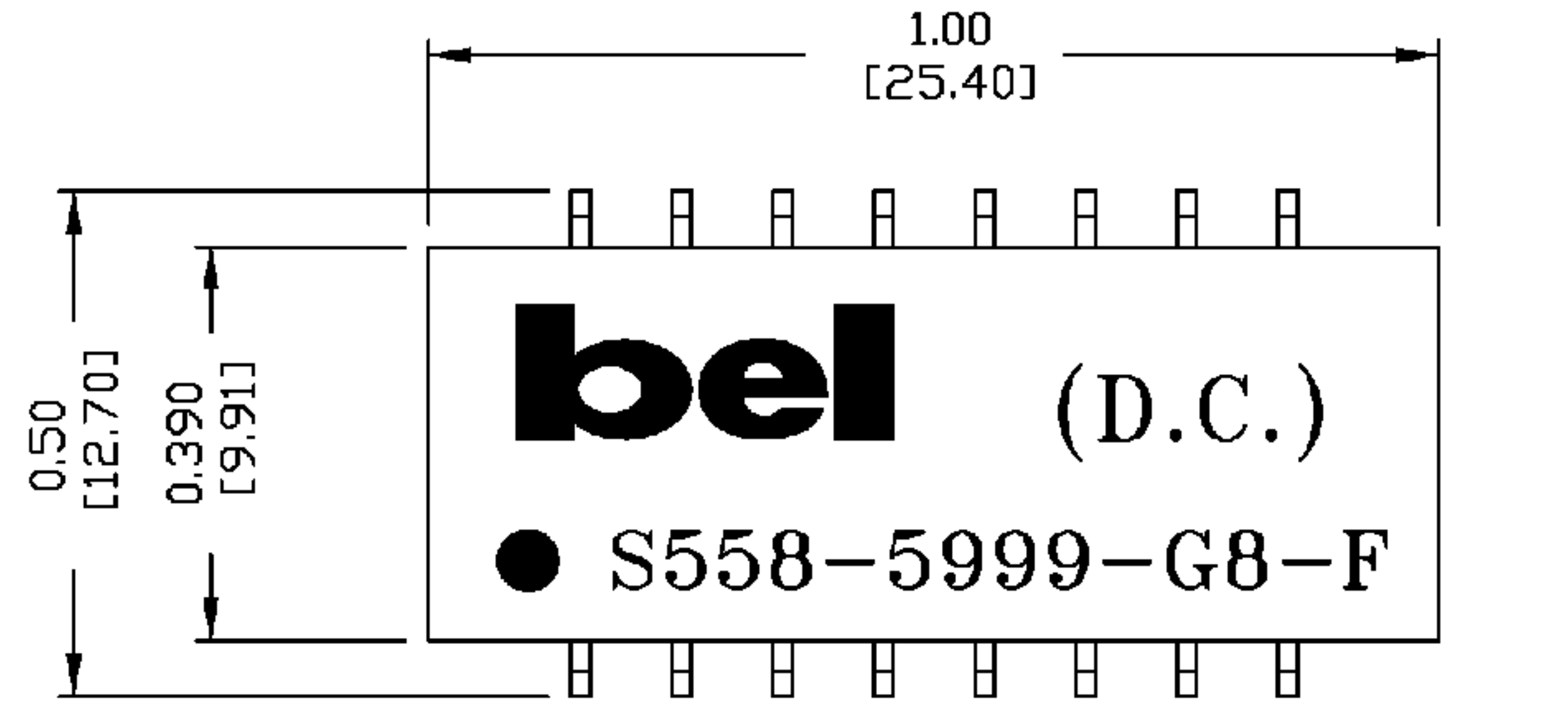
FREQ. (MHz)	1	10	50	100	200
dB MIN	50	30	30	20	20

HIPOT

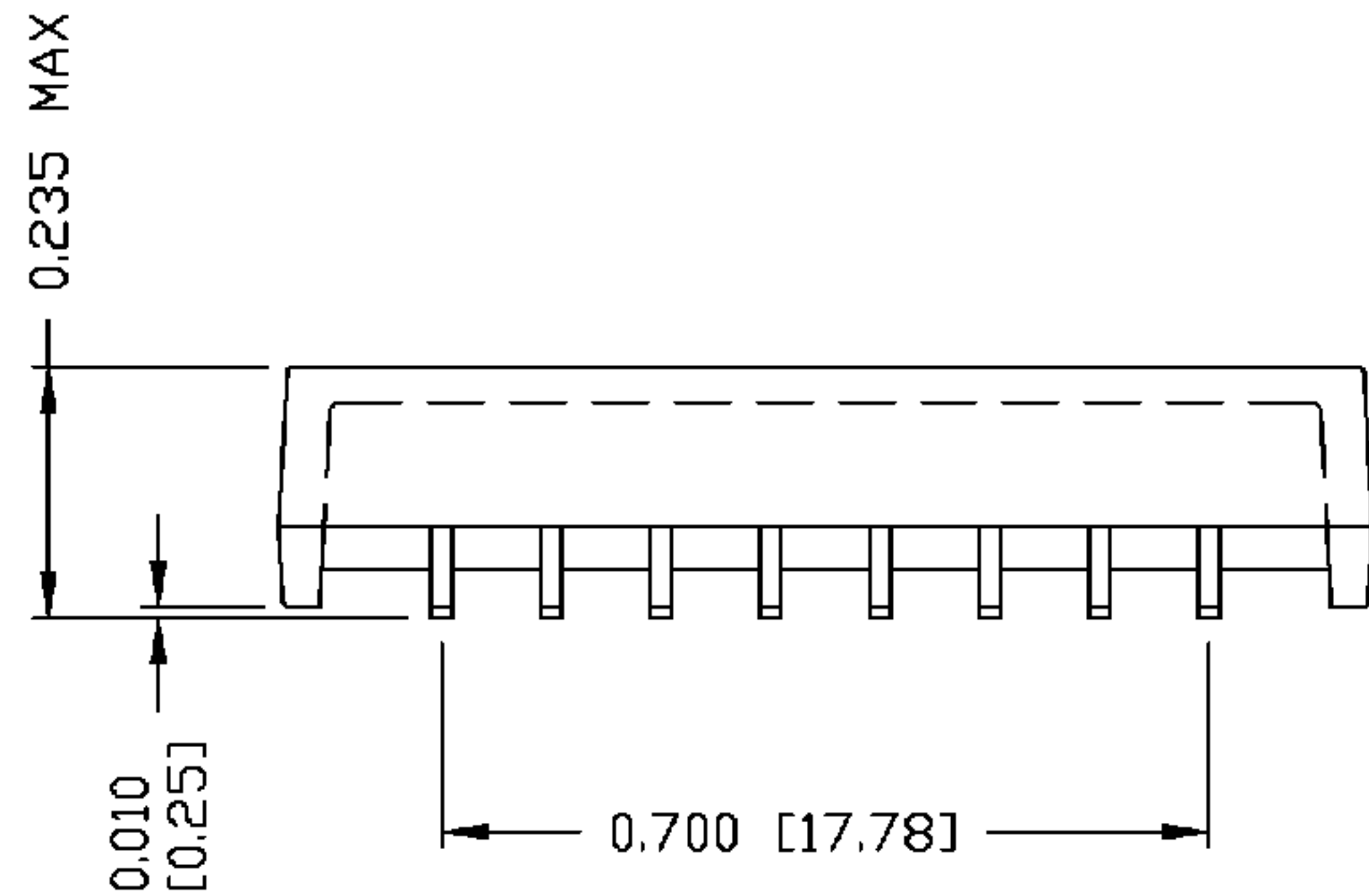
PER HAND-WORK-03

ORIGINATED BY HQ	DATE 02-22-06	TITLE 10/100BT MAGNETICS INTERFACE MODULE S558-5999-G8-F	PART NO. / DRAWING NO. X5585999G8-F	STANDARD DIM. TOL. IN INCH .X .XX .XXX	[] METRIC DIM. AS REFERENCE UNIT : INCH [mm] SCALE : N/A 	REV. : A SIZE : A4 PAGE : 2	bel COMPONENTS FOR A CONNECTED PLANET
DRAWN BY DQ Chen	DATE 02-22-06		FILE NAME X5585999G8FA.DWG				

THE INFORMATION CONTAINED HEREIN IS CONSIDERED "PROPRIETARY" TO BEL FUSE INC. AND SHALL NOT BE COPIED, REPRODUCED OR DISCLOSED WITHOUT THE WRITTEN APPROVAL OF BEL FUSE INC.



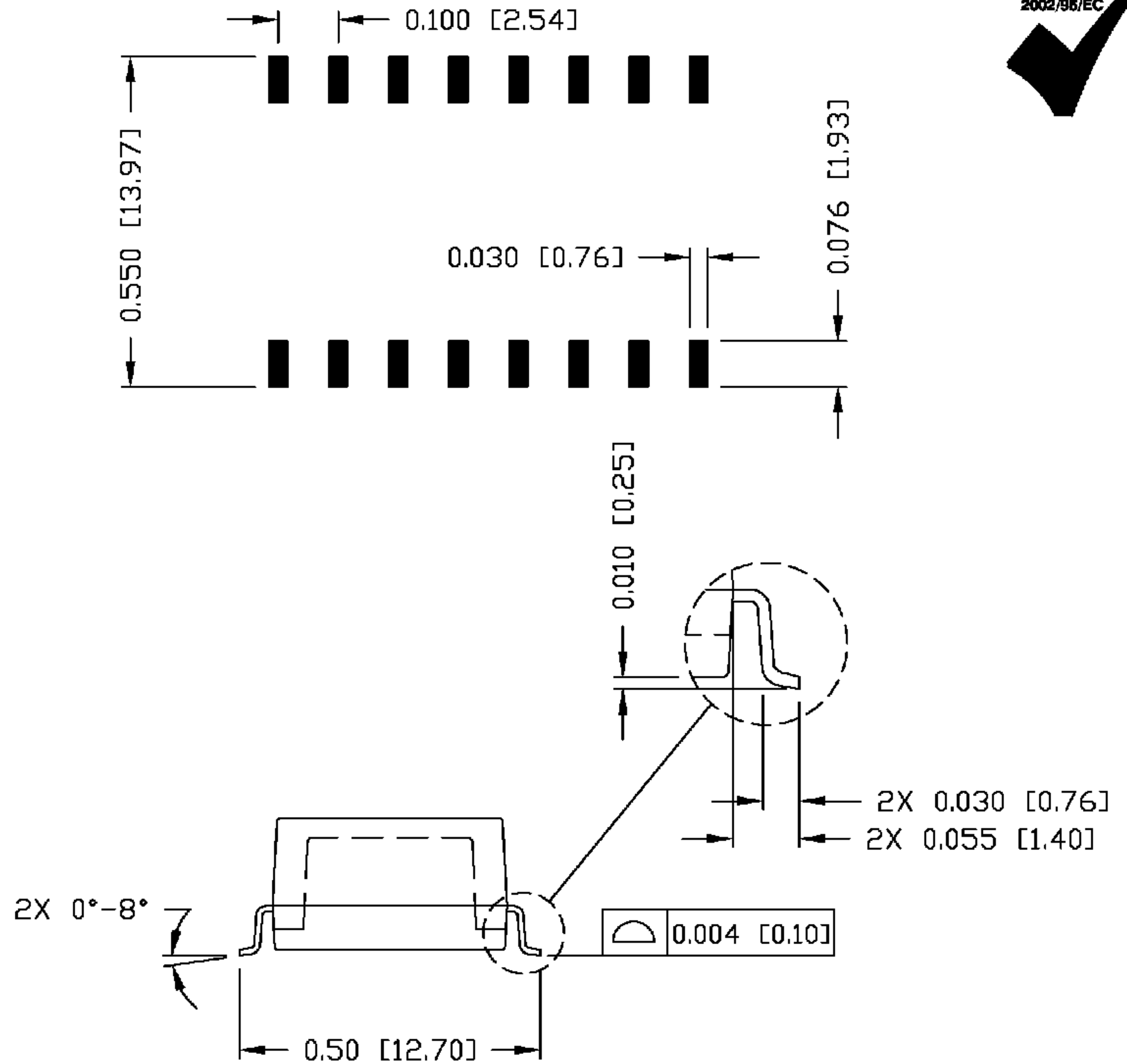
0.020±0.002 [0.51±0.05] 0.10 [2.54] TYP.




NOTES:

1. STANDARD MARKING REFER TO DOC. HAND-WORK-04.
2. PACKAGE CODE: "RNS001".

SUGGESTED PCB PAD LAYOUT



ORIGINATED BY	DATE	TITLE	PART NO. / DRAWING NO.	STANDARD DIM. TOL. IN INCH	[] METRIC DIM. AS REFERENCE	 COMPONENTS FOR A CONNECTED PLANET	
HO	05-23-06	MECHANICAL DRAWING S558-5999-G8-F	X5585999G8-F	.X	UNIT : INCH [mm]		REV. : A
DRAWN BY	DATE		FILE NAME	.XX	SCALE : N/A		SIZE : A4
DQ Chen	05-23-06		X5585999G8FA.DWG	.XXX	±0.01		PAGE : 3
					±0.005		