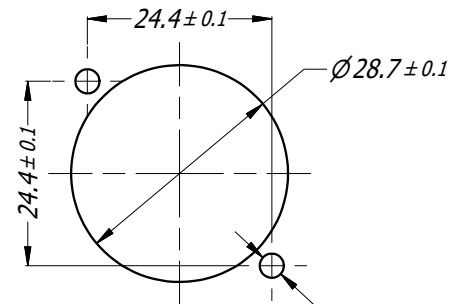


3D VIEW
1:1



PANEL CUTOUT

- NOTES:**
- USE #4 OR M3 SCREW.
 - TIGHTEN TO 0.35 N-m (3.1 lb-in)

UNLESS OTHERWISE SPECIFIED TOLERANCE TO BE		THIS DOCUMENT IS THE PROPERTY OF AMPHENOL AUSTRALIA PTY. LTD. NO PART THEREOF MAY BE REPRODUCED AND USED WITHOUT THE PRIOR WRITTEN CONSENT OF THE OWNER.				Amphenol Amphenol Australia Pty.Ltd, 22 Industry Blvd Carrum Downs, VIC 3201	
LINEAR	ANGULAR	MATERIAL:	DRN: T.N	DATE: 19/07/17	TITLE:	PART No:	REV
X ± 0.5	X' ± 1		CKD: P.M	DATE: 19/07/17	PROTECTIVE CAP	HPT-CAPF	1
X.X ± 0.1	X.X' ± 30'		APP'D: P.M	DATE: 19/07/17	HPT SERIES FEMALE P/M	DRAWING No.	SHEET
X.XX ± 0.05	X.XX" ± 15'		SCALE: 1:1	SIZE: A4	BEADED CHAIN	55011250-000-4	3/4
BREAK ALL SHARP EDGES AND REMOVE ALL BURRS		FINISH:	THIRD ANGLE PROJECTION				
DO NOT SCALE							
DIMENSIONS IN MILLIMETRES							