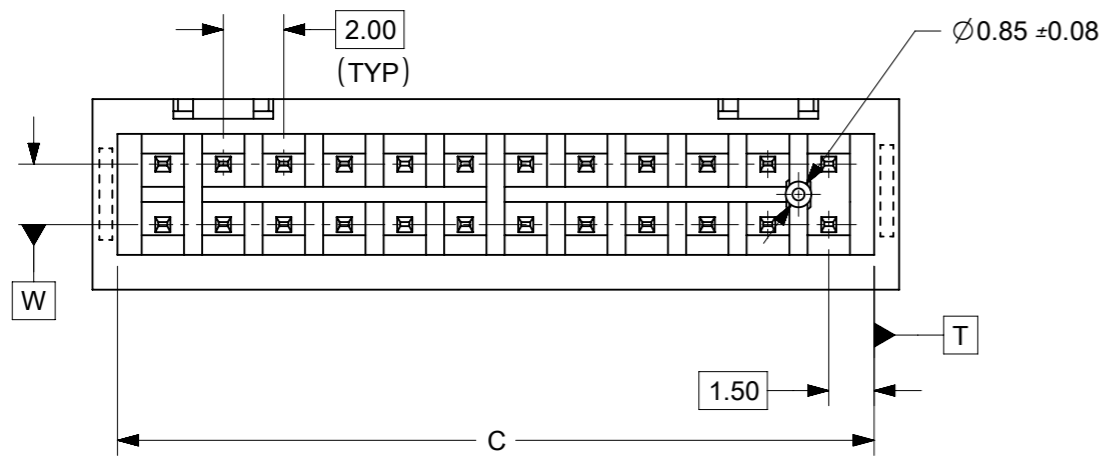
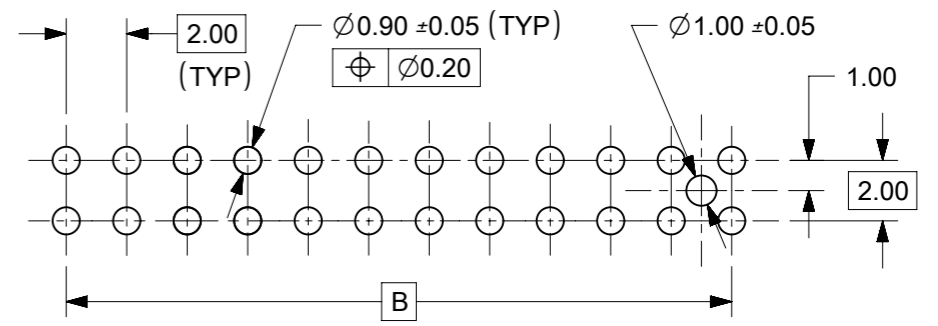
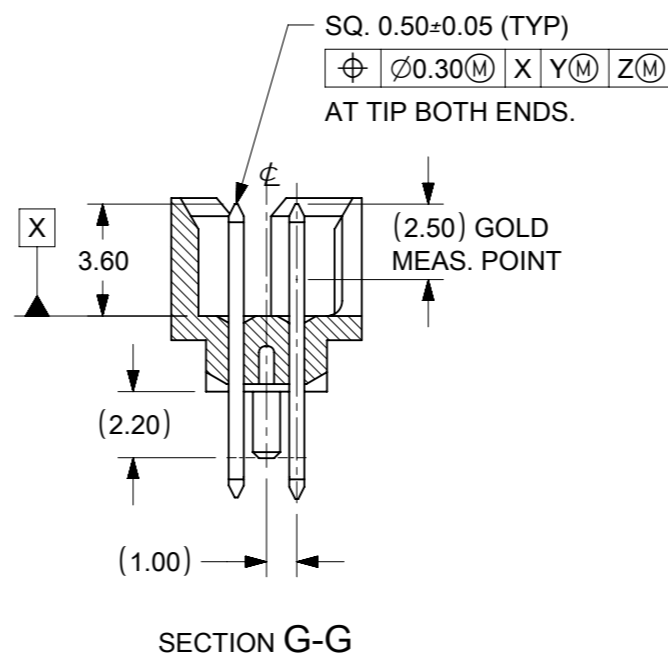
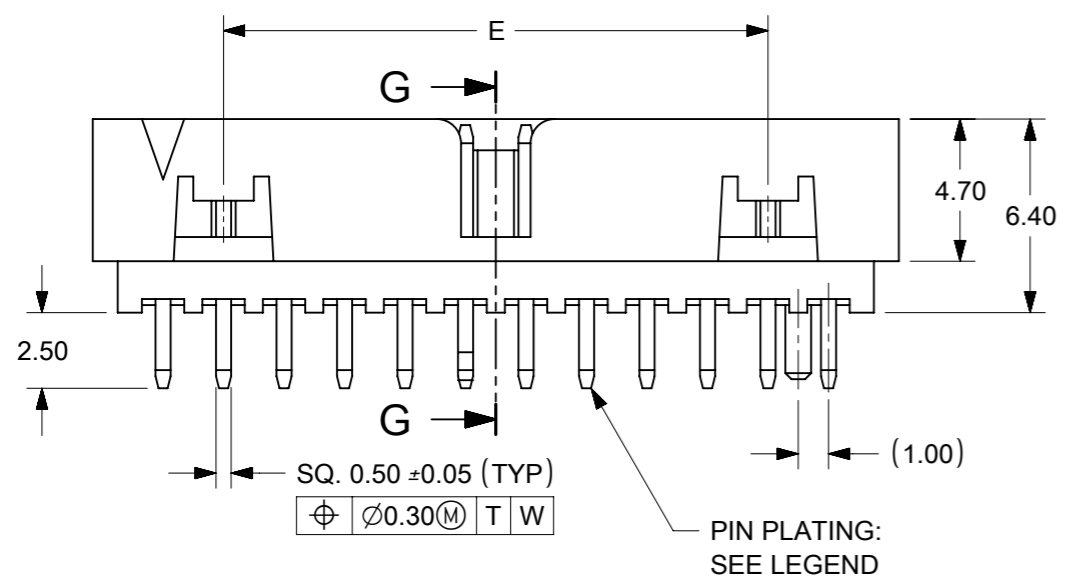


**NOTES:**

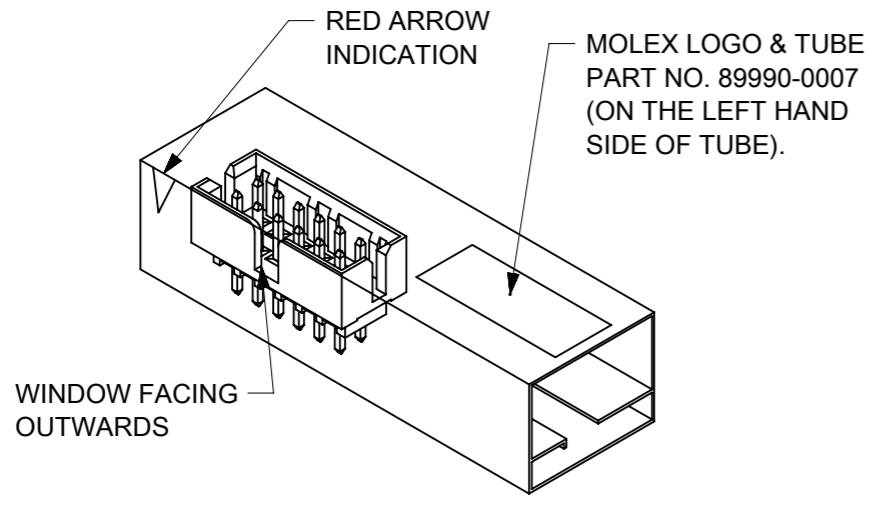
1. FOR ILLUSTRATION PURPOSES, 24 CKT SIZE WAFER IS SHOWN.
2. MATERIAL :  
HOUSING : 30% G.F., NYLON 46, UL94V-0, COLOR BLACK.  
PIN : 0.50mm SQ. PHOSPHOR BRONZE.
3. PRODUCT SPECIFICATION PS-87831-027 APPLIES.
4. THIS HEADER MATES WITH MOLEX :  
a) CRIMP RECEPTACLE HOUSING, 51110 SERIES WITH CRIMP TERMINAL, 50394 SERIES.  
b) 2mm MILLIGRID DUAL ROW IDT, 87568 SERIES.
5. PARTS TO BE PACKED IN TUBE WITH MOISTURE BARRIER BAG



THIS DRAWING CONTAINS INFORMATION THAT IS PROPRIETARY TO MOLEX ELECTRONIC TECHNOLOGIES, LLC AND SHOULD NOT BE USED WITHOUT WRITTEN PERMISSION

|   |  |   |                    |                                |                             |   |   |  |  |
|---|--|---|--------------------|--------------------------------|-----------------------------|---|---|--|--|
| EC NO: 619055<br>DRWN: SCS02<br>CHK'D: NMANE02<br>APPR: MIRAMAKRISHNA | 2018/06/19<br>2019/07/09<br>2019/07/09 | GENERAL TOLERANCES (UNLESS SPECIFIED)                   |                    | DIMENSION UNITS<br>MM      NTS |                             |   |   |  |  |
|   | 4 PLACES ±      ±                      |   | DRWN BY<br>ATSEE   |                                | SCALE<br>DATE<br>2003/10/08 |   |   |  |  |
|   | 3 PLACES ±      ±                      |   | CHK'D BY<br>KCLING |                                | DATE<br>2003/11/07          |   | MGRID, SHROUDED HEADER<br>VERTICAL, W/PEG |  |  |
|   | 2 PLACES ± 0.2      ±                  |   | APPR BY<br>SKTOH   |                                | DATE<br>2003/11/07          |   |   |  |  |
|   | 1 PLACES ±      ±                      |   | ANGULAR TOL = 3.0  |                                | DRAWING SIZE<br>A3          |   | PRODUCT CUSTOMER DRAWING                  |  |  |
| 0 PLACES ±      ±   |  | DRAFT WHERE APPLICABLE<br>MUST REMAIN WITHIN DIMENSIONS |                    | THIRD ANGLE PROJECTION         |                             | SERIES: 87831      MATERIAL NUMBER: SEE SHEET 2      CUSTOMER: GENERAL MARKET                 |   |  |  |
| A13   |  | REV   |                    | DATE                           |                             | DOCUMENT NUMBER: SD-87831-020      DOC TYPE: PSD      DOC PART: 001      SHEET NUMBER: 1 OF 3 |   |  |  |

| P/N IN TUBE | CKT SIZE | VOID PIN LOCATION | DIMENSION |       |       |       |       |
|-------------|----------|-------------------|-----------|-------|-------|-------|-------|
|             |          |                   | A         | B     | C     | D     | E     |
| 87831-5128  | 24       | 12                | 26.65     | 22.00 | 25.00 | 24.85 | 18.00 |



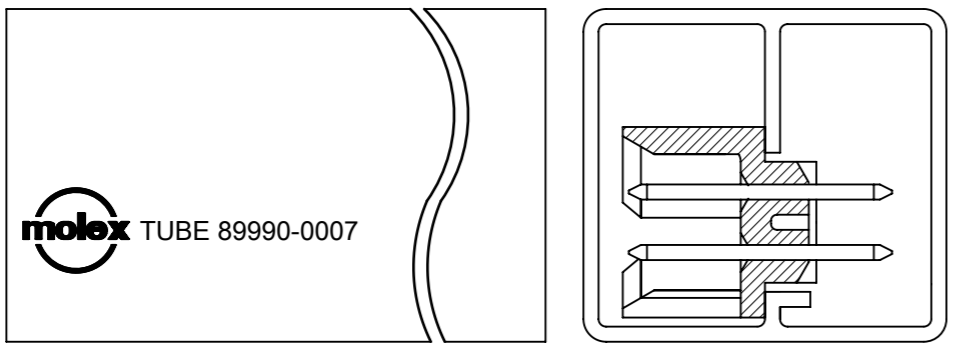
**PART NUMBER LEGEND :**

87831 - \* \* \* \*

**PLATING OPTIONS**

28 - 0.38µm/15µin GOLD IN CONTACT AREA AND 1.88µm/75µin MIN. TIN IN SOLDER TAIL AREA OVER 1.27µm/50µin MIN. NICKEL OVERALL.  
 29 - 0.76µm/30µin GOLD IN CONTACT AREA AND 1.88µm/75µin MIN. TIN IN SOLDER TAIL AREA OVER 1.27µm/50µin MIN. NICKEL OVERALL.

**REF : ORIENTATION OF PART IN TUBE**  
 (FOR THE REFERENCE OF PART/TUBE ASSEMBLY)



ORIENTATION OF PART IN TUBE

THIS DRAWING CONTAINS INFORMATION THAT IS PROPRIETARY TO MOLEX ELECTRONIC TECHNOLOGIES, LLC AND SHOULD NOT BE USED WITHOUT WRITTEN PERMISSION

|  |            |  |                                       |              |                        |                 |                 |                |          |              |
|--|------------|--|---------------------------------------|--------------|------------------------|-----------------|-----------------|----------------|----------|--------------|
| EC NO: 619055<br>DRWN: SCS02<br>CHK'D: NMANE02<br>APPR: MRAMAKRISHNA | 2018/06/19 | DIMENSION UNITS<br><b>MM</b>                         | GENERAL TOLERANCES (UNLESS SPECIFIED) |              | SCALE<br><b>NTS</b>    |                 |                 |                |          |              |
|  | 2019/07/09 |  | MM                                    | INCH         | DRWN BY                | DATE            |                 |                |          |              |
|  | 2019/07/09 |  | 4 PLACES ±                            | ±            | ATSEE                  | 2003/10/08      |                 |                |          |              |
|  |            |  | 3 PLACES ±                            | ±            | CHK'D BY               | DATE            |                 |                |          |              |
|  |            |  | 2 PLACES ± 0.2                        | ±            | KCLING                 | 2003/11/07      |                 |                |          |              |
|  |            |  | 1 PLACES ±                            | ±            | APPR BY                | DATE            |                 |                |          |              |
|  | 0 PLACES ± | ±  | SKTOH                                 | 2003/11/07   |                        |                 |                 |                |          |              |
|  |            | ANGULAR TOL = 3.0                                    |                                       | DRAWING SIZE | THIRD ANGLE PROJECTION | SERIES          | MATERIAL NUMBER | CUSTOMER       |          |              |
|  |            | DRAFT WHERE APPLICABLE MUST REMAIN WITHIN DIMENSIONS |                                       | <b>A3</b>    |                        | 87831           | SEE TABLE       | GENERAL MARKET |          |              |
|  |            |  |                                       |              |                        | DOCUMENT NUMBER |                 | DOC TYPE       | DOC PART | SHEET NUMBER |
|  |            |  |                                       |              |                        | SD-87831-020    |                 | PSD            | 001      | 2 OF 3       |

|                |    |              |            |          |
|----------------|----|--------------|------------|----------|
| RELEASE STATUS | P1 | RELEASE DATE | 2019/07/09 | 06:47:27 |
|----------------|----|--------------|------------|----------|

# BOARD TO BOARD (BTB) DISTANCE

| HEADER | MATES WITH (RECEPTACLE) | BTB DIST. | PICTORIAL VIEW |
|--------|-------------------------|-----------|----------------|
| 87831  | 79107                   | 6.94      |                |
|        | 78787                   | 6.94      |                |
|        | 79108                   | 6.94      |                |
|        | 79109                   | 7.15      |                |
|        | 78788                   | 7.15      |                |

THIS DRAWING CONTAINS INFORMATION THAT IS PROPRIETARY TO MOLEX ELECTRONIC TECHNOLOGIES, LLC AND SHOULD NOT BE USED WITHOUT WRITTEN PERMISSION

|  |   |                        |      |                                   |            |   |                |              |
|--|---|------------------------|------|-----------------------------------|------------|---|----------------|--------------|
| DIMENSION UNITS                                      |   | SCALE                  |      | CURRENT REV DESC: ADDED BTB DIST. |            |   |                |              |
| mm   |   | NTS                    |      |                                   |            |   |                |              |
| GENERAL TOLERANCES (UNLESS SPECIFIED)                |   |                        |      | EC NO: 619055                     |            | MGRID, SHROUDED HEADER<br>VERTICAL, W/PEG |                |              |
|  |   | MM                     | INCH |                                   |            |   |                |              |
| 4 PLACES   | ± |                        | ±    | DRWN: SCS02                       | 2018/06/19 | PRODUCT CUSTOMER DRAWING                  |                |              |
| 3 PLACES   | ± |                        | ±    | CHK'D: NMANE02                    | 2019/07/09 |   |                |              |
| 2 PLACES   | ± | 0.2                    | ±    | APPR: MRAMAKRISHNA                | 2019/07/09 | DOCUMENT NUMBER<br><b>SD-87831-020</b>    |                |              |
| 1 PLACE  | ± |                        | ±    | INITIAL REVISION:                 |            |   |                |              |
| 0 PLACES   | ± |                        | ±    | DRWN: DRWN BY                     | XXXX/XX/XX | DOC TYPE                                  | DOC PART       | REVISION     |
| ANGULAR TOL  |   | ± 3.0°                 |      | APPR: APPR BY                     | XXXX/XX/XX | PSD                                       | 001            | A13          |
| DRAFT WHERE APPLICABLE MUST REMAIN WITHIN DIMENSIONS |   | THIRD ANGLE PROJECTION |      | DRAWING                           | SERIES     | MATERIAL NUMBER                           | CUSTOMER       | SHEET NUMBER |
|  |   |                        |      | A3-SIZE                           | 87831      |   | GENERAL MARKET | 3 OF 3       |