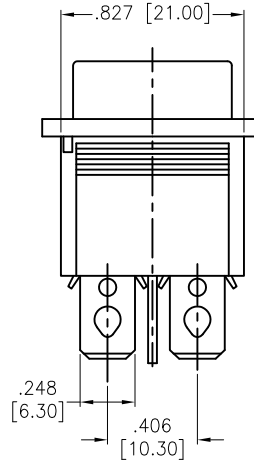
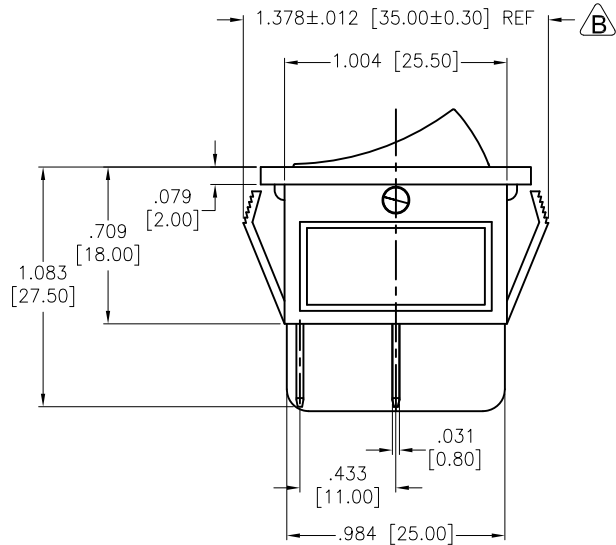
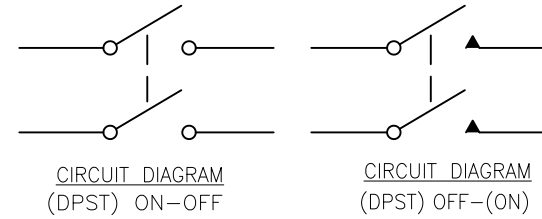
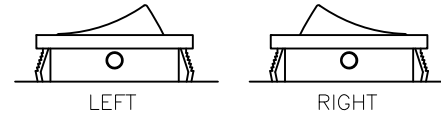
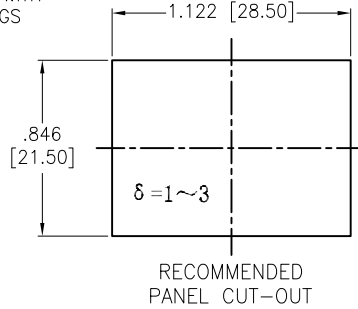
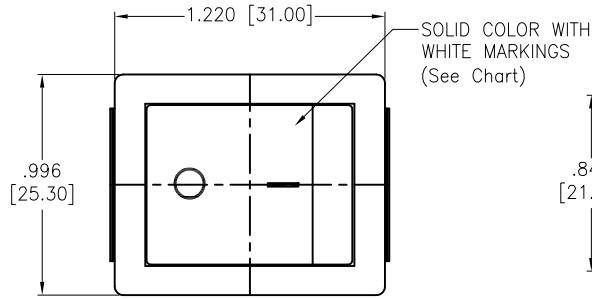


APPROVED: _____
 DATE: _____ TITLE: _____

Rev	AWO #	Description	Date	Appr
-		RELEASED	9/2/21	
A		UPDATE DIM	5/27/22	WX/MC
B		UPDATED DIM.	11/24/22	JJ/AC1



A=ON-OFF
 C=OFF-(ON)
 SW-R1-3X-E-XX-0

	Actuator Color	Actuator Markings
BLANK	Standard Black	1
W	White	2
R	Red	3
G	Green	4
Y	Yellow (Amber)	5
B	Blue	

Replace "x" in P/N with the corresponding switch color and marking

SPECIFICATIONS:

Body: Nylon 66, Color Black, Rated UL 94V-0

Terminal: Brass, Silver plated

Button: Nylon 66, Solid color, White color markings. (See Chart)

Electrical:

The rated load: 250V AC, 16A

125V AC, 20A

Contact resistance: 50 mohms max

Insulation resistance: 100 Mohms min

Dielectric withstanding voltage: 1500 VAC/5S min

Mechanical:

Electrical life: 10000 Cycles min

Temperature Rating:

Operating temperature: -25°C to +85°C

Environmental:

Lead free, RoHS compliant



UNLESS OTHERWISE SPECIFIED ALL DIMENSIONS ARE INCHES [MM]. TOLERANCES: EXCEPT AS NOTED

INCHES		HOLES	
.X	± .10	ØX	± .10
.XX	± .020	ØXX	± .015
.XXX	± .015	ØXXX	± .010

DRAWN	WC	9/2/21
CHECKED	RC	9/2/21
APPROVED		

THIS DRAWING CONTAINS INFORMATION THAT IS PROPRIETARY AND SHOULD NOT BE USED WITHOUT PRIOR WRITTEN PERMISSION FROM ADAM TECH



909 Rahway Avenue,
 Union, NJ 07083
 Phone: 908-687-5000
 Fax: 908-687-5710

TITLE SWITCH, MEDIUM ROCKER, DPST, ON-OFF, OFF-(ON), QC .250 [6.35MM]

SIZE X	PART NO. SW-R1-3X-E-XX-0	REV. A
REF: S00206C	SCALE: NTS	SHEET 1 OF 1