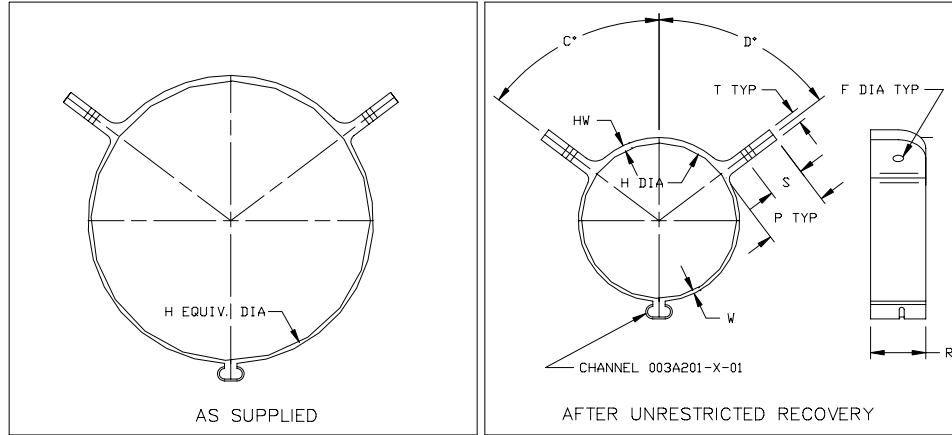


Thermofit[®] Molded Parts Specification Control Drawing

Part Number : 200C814
Description : Strap, Mounting
Heat Detection Sensor

NOTES

- All dimensions are in $\frac{\text{inches}}{\text{[millimeters]}}$
- Dimensions appearing in table are as follows:
 - a - As Supplied
 - b - After Unrestricted Recovery



PART NUMBER	H		P	R	S	T	HW	W	C & D	F
	Min	Max								
	a	b	b	b	b	b	b	b	Ref	b
200C814	3.60 [91,4]	2.50 [63,5]	1.00 [25,4]	1.00 [25,4]	.50 [12,7]	.20 [5,1]	.09 [2,3]	.05 [1,3]	53°	.17 [4,3]

Raychem

RAYCHEM CORPORATION
300 CONSTITUTION DRIVE
MENLO PARK, CALIFORNIA 94025

Revision : D
Date : 4/9/97

Part Number : 200C814
Description : Strap, Mounting
Heat Detection Sensor

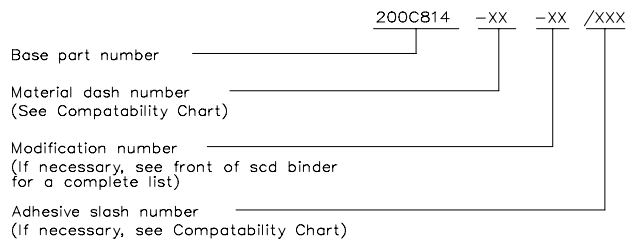
Thermofit[®] Molded Parts Specification Control Drawing

Part Number : 200C814
Description : Strap, Mounting
Heat Detection Sensor

MATERIAL DASH NO.	MATERIAL DESCRIPTION	RT SPEC	COATING SLASH NO.	COATING S NO.	COATING DESCRIPTION
-3	Polyolefin, Semi-rigid	RT-301	N/A		
-12	*VITON, Flexible	RT-1312	N/A		

*VITON is a Registered Trademark of Dupont

ORDERING INFORMATION



THIS DRAWING IS SUBJECT TO CHANGE WITHOUT NOTICE; CONSULT YOUR
NEAREST FIELD REPRESENTATIVE FOR CURRENT REVISION

**If this document is printed it becomes uncontrolled.
Check with the web for latest revision.**

Raychem

RAYCHEM CORPORATION
300 CONSTITUTION DRIVE
MENLO PARK, CALIFORNIA 94025

Revision : D
Date : 4/9/97

Part Number : 200C814
Description : Strap, Mounting
Heat Detection Sensor

CAD FILE MP97075