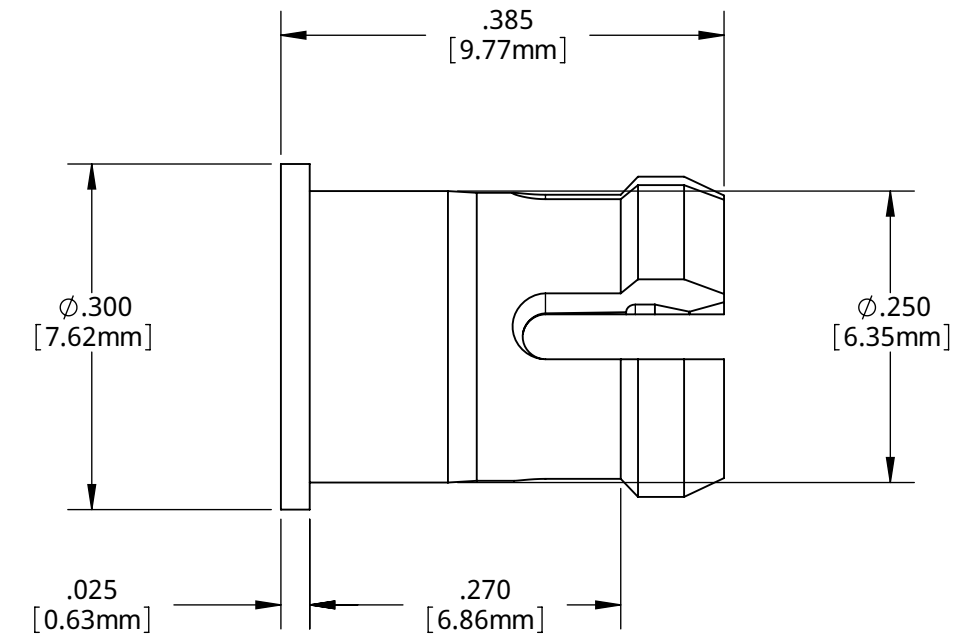
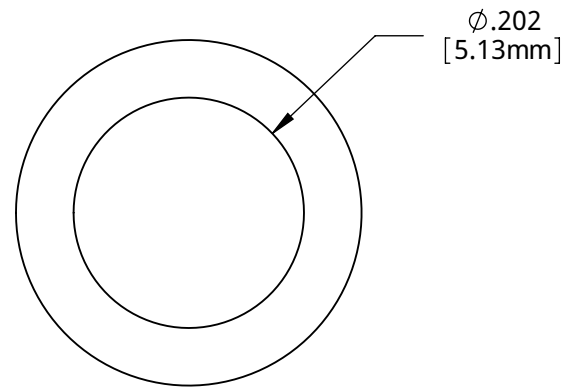
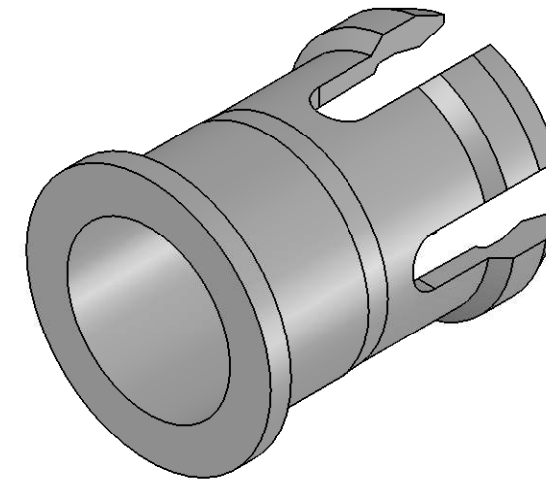
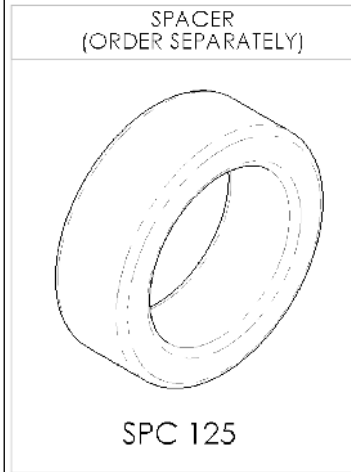
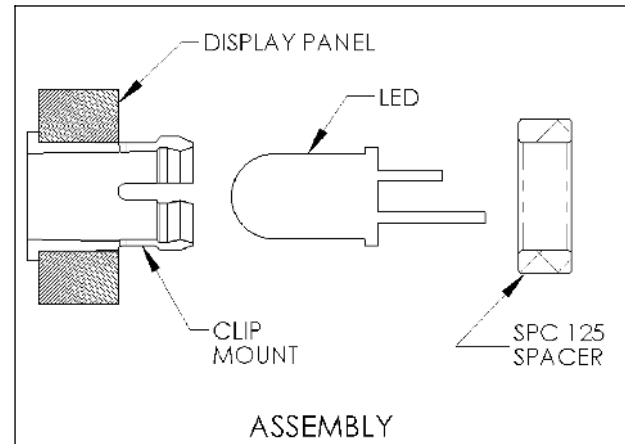


- NOTES:
1. MOUNTING: Mounts in a  $\phi .250 \pm .002$  [ $\phi 6.35\text{mm} \pm .05$ ] panel hole on .375 [9.5mm] centers. Panel thickness .125 [3.18mm] to .250 [6.35mm]. Panel hole should be deburred, but not chamfered.
  2. ASSEMBLY: Insert clip mount through panel hole, insert LED into clip mount, slide spacer over clip mount.
  3. U.S. & Foreign Pat. Issued & Pend.

REVISIONS				
EC N#	REV.	DESCRIPTION	DATE	INITIALS
	1	CHG P/N, WAS CLR 250	8-1-91	JS
	2	ADD .252 DIA, ADD DIMS .125 & .150	2-1-91	JS
	001	REVISED PER EC R111009AZ01	6-20-10	SMU



ORDERING CODE: CLP 126 BLK



UNLESS OTHERWISE SPECIFIED DIMENSIONS ARE IN INCHES:		MATERIAL POLYCARBONATE, UL 94-V2, BLACK		VISUAL COMMUNICATIONS COMPANY, INC. 190 Bosstick Boulevard, Suite 101 San Marcos, CA 92069 USA Phone (760) 560-1300 Fax (760) 560-1301 email vccsales@vcclite.com	
ANGLES $\pm 1^\circ$	DECIMALS .X $\pm .020$ .XX $\pm .010$ .XXX $\pm .005$	FINISH		TITLE: <b>CLIPLITE® CLP 126 MOUNT</b>	
BREAK ALL CORNERS AND SHARP EDGES .030 MAX		THIRD ANGLE PROJECTION		APPROVAL	
PROPRIETARY AND CONFIDENTIAL		THE INFORMATION CONTAINED IN THIS DRAWING IS THE SOLE PROPERTY OF VISUAL COMMUNICATIONS COMPANY, INC. ANY REPRODUCTION IN PART OR AS A WHOLE WITHOUT THE WRITTEN PERMISSION OF VISUAL COMMUNICATIONS COMPANY, INC. IS PROHIBITED.		DATE	
DRAWN: SMU		CHECKED: DZ		DATE: 6-20-10	
DO NOT SCALE DRAWING		SCALE: 1:1		SHEET 1 OF 1	
SIZE: B		DWG. NO.: CLP 126 BLK		REV: 001	