

# Customer Information Sheet

DRAWING No.: M22-532XXXXR

SHEET 3 OF 4

IF IN DOUBT - ASK

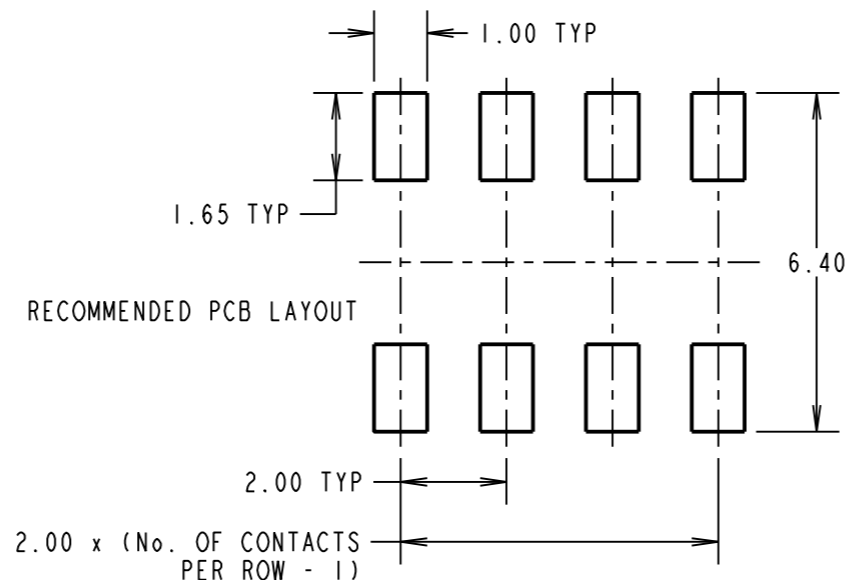
©

NOT TO SCALE

THIRD ANGLE PROJECTION

ALL DIMENSIONS IN mm

**SPECIFICATIONS:**  
**MATERIAL:**  
 MOULDING, PICK & PLACE CAP = NYLON 6T, UL94V-0, BLACK  
 CONTACTS = PHOSPHOR BRONZE  
**FINISH:**  
 05 = GOLD  
 46 = 100% TIN, OVER NICKEL  
**ELECTRICAL:**  
 CURRENT RATING = 1A  
 CONTACT RESISTANCE = 20mΩ MAX (GOLD), 30mΩ MAX (TIN)  
 INSULATION RESISTANCE = 100MΩ MIN  
**MECHANICAL:**  
 DURABILITY = 300 OPERATIONS (GOLD), 50 OPERATIONS (TIN)  
 DIELECTRIC STRENGTH = 650V AC/DC  
**ENVIRONMENTAL:**  
 TEMPERATURE RANGE = -40°C TO +105°C  
 FOR COMPLETE SPECIFICATION, SEE  
 COMPONENT SPECIFICATION C018XX (LATEST ISSUE)



**Active products:**

M22-5320205R  
 M22-53203XXR  
 M22-53205XXR  
 M22-5320605R  
 M22-5320705R  
 M22-5322205R  
 M22-5322505R

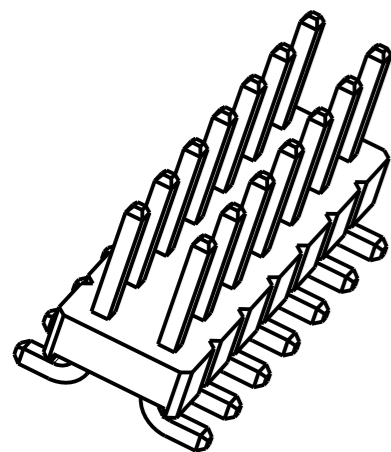
ORDER CODE:

**M22-532XXXXR**

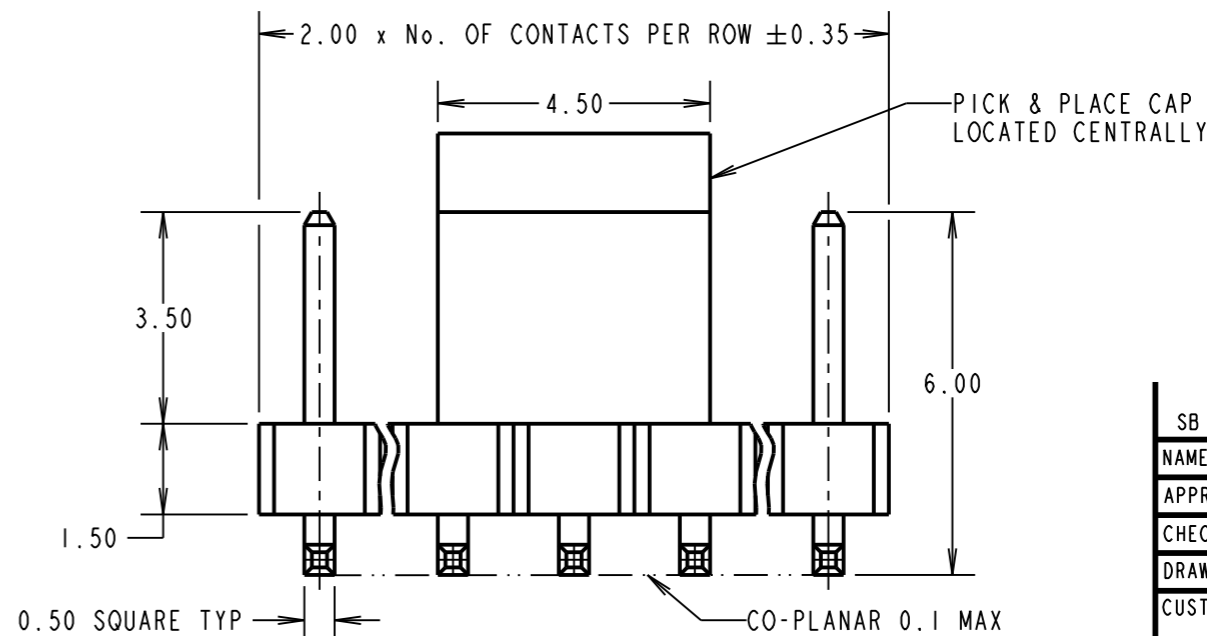
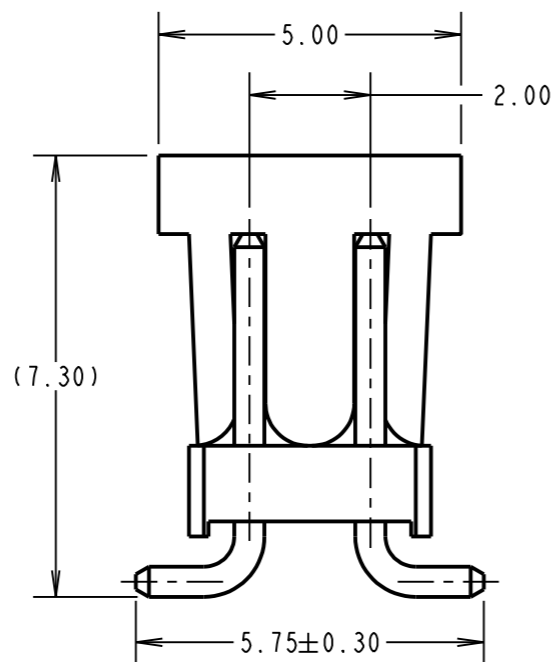
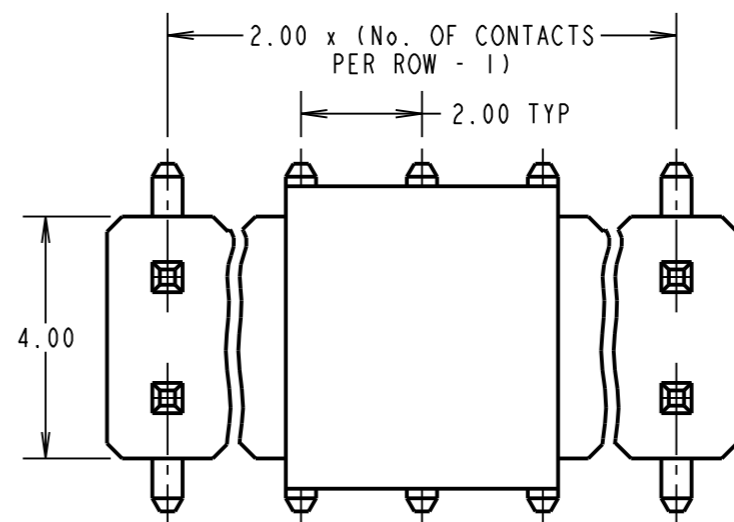
No. OF CONTACTS PER ROW: 02, 03, 05, 07, 08, 09, 10, 11

FINISH: 05 - GOLD  
 46 - 100% TIN

**OBSOLETE**  
 All other size/finish combinations not listed above



PICK AND PLACE CAP HIDDEN FOR ILLUSTRATION ONLY



**NOTES:**

- ALL TOLERANCES ARE ±0.25 UNLESS OTHERWISE STATED.
- SEE DRAWING M22-532XXXXP FOR PICK AND PLACE VERSION, M22-532XXXX FOR STANDARD PRODUCT.
- FOR TAPE & REEL DETAILS, SEE SHEET 4.
- CO-PLANARITY: FLATNESS OF SMT TAILS MUST NOT EXCEED 0.1mm.

**HARWIN**

www.harwin.com  
 technical@harwin.com

THIS DRAWING AND ANY INFORMATION OR DESCRIPTIVE MATTER SET OUT HEREON ARE CONFIDENTIAL AND COPYRIGHT PROPERTY OF THE HARWIN GROUP AND MUST NOT BE DISCLOSED, LOANED, COPIED OR USED FOR MANUFACTURING, TENDERING OR FOR ANY OTHER PURPOSE WITHOUT THEIR WRITTEN PERMISSION.

**TOLERANCES**

~~X = ±1mm~~  
~~X.X = ±0.50mm~~  
~~X.XX = ±0.10mm~~  
~~X.XXX = ±0.01mm~~  
 ANGLES = ±5°  
 UNLESS STATED

**MATERIAL:**

SEE ABOVE

**FINISH:**

SEE ABOVE

**S/AREA:**

mm<sup>2</sup>

**TITLE:**

2.00mm PITCH DIL SMT PIN HEADER ASSEMBLY (WITH P/PLACE CAP, T/REEL)

**DRAWING NUMBER:**

**M22-532XXXXR**

|                |      |           |        |
|----------------|------|-----------|--------|
| SB             | 12   | 27.04.15  | 12763  |
| NAME           | ISS. | DATE      | C/NOTE |
| APPROVED:      |      | S.BENNETT |        |
| CHECKED:       |      | M.PLESTED |        |
| DRAWN:         |      | J.KEIR    |        |
| CUSTOMER REF.: |      |           |        |
| ASSEMBLY DRG:  |      |           |        |

# Customer Information Sheet

DRAWING No.: M22-532XXXXR

SHEET 4 OF 4

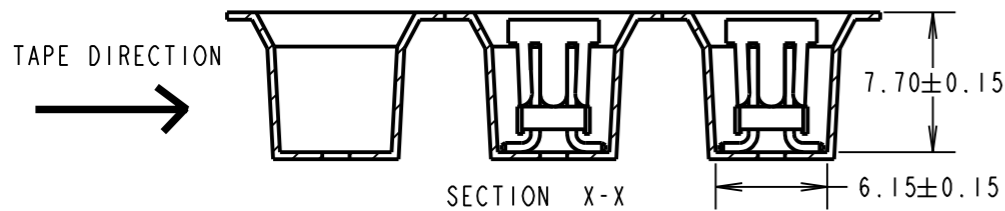
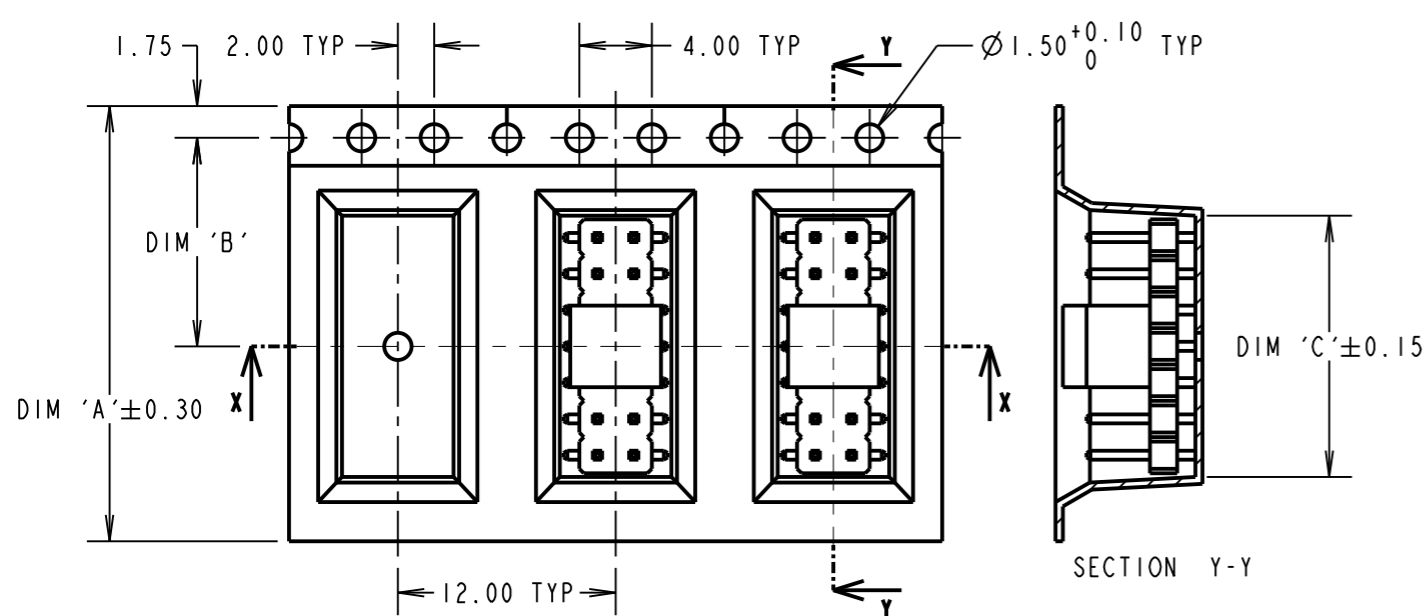
IF IN DOUBT - ASK

©

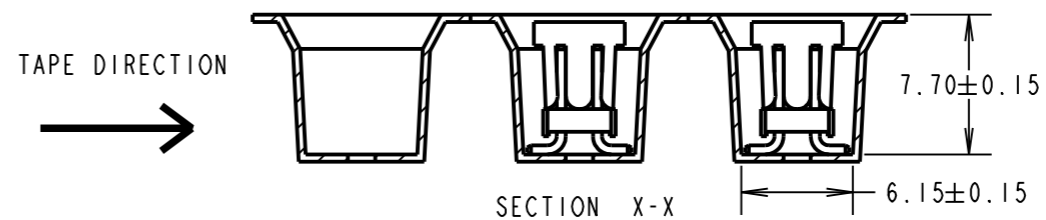
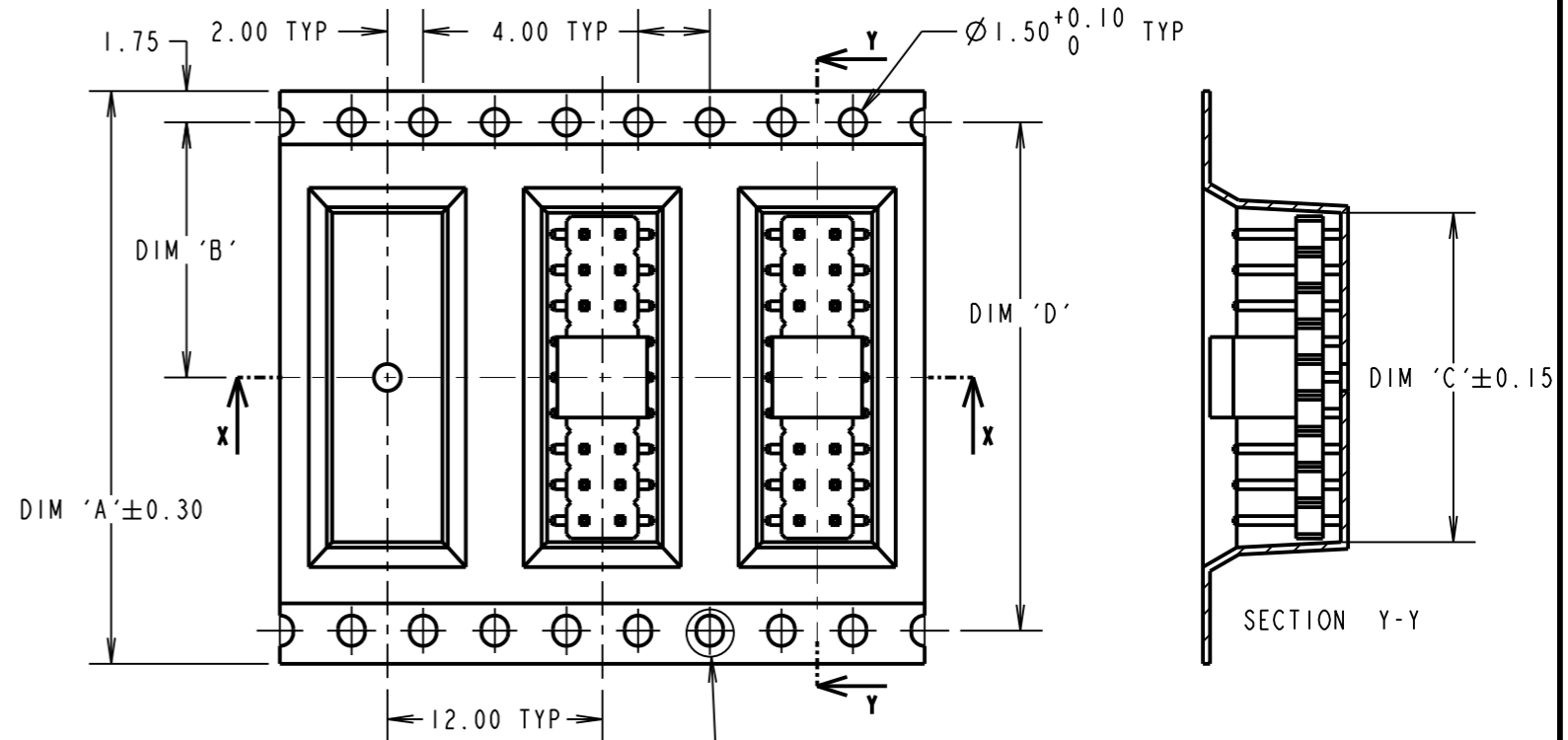
NOT TO SCALE

THIRD ANGLE PROJECTION

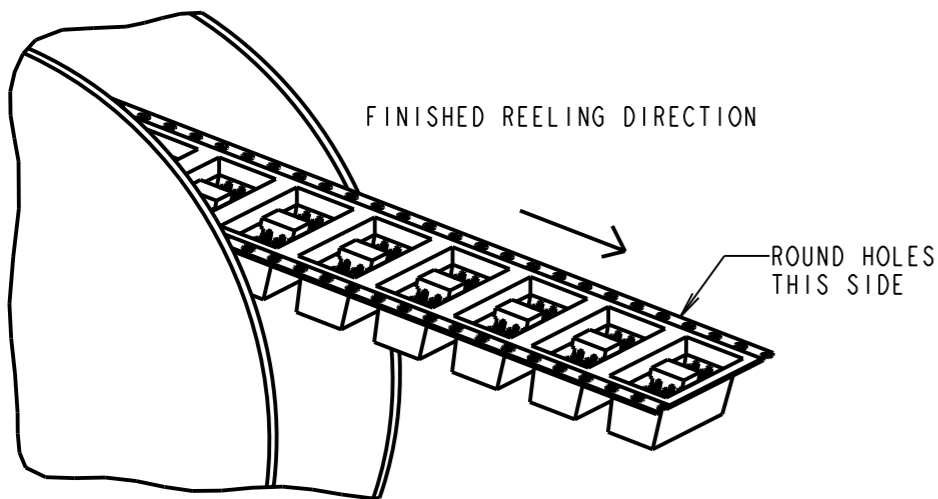
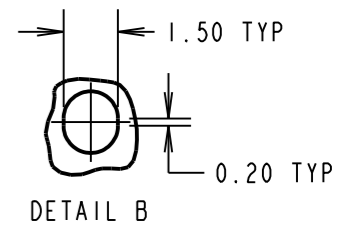
ALL DIMENSIONS IN mm



TAPE DETAILS FOR 2, 3 & 5 WAY



TAPE DETAILS FOR 7 TO 11 WAY



**Active products:**

- M22-5320205R
- M22-53203XXR
- M22-53205XXR
- M22-5320605R
- M22-5320705R
- M22-5322205R
- M22-5322505R

**NOTES:**

1. QUANTITY PER REEL = 700 PIECES.
2. FOR CONNECTOR DETAILS, SEE SHEET 3.
3. SEE DRAWING M22-532XXXXP FOR PICK & PLACE VERSION & M22-532XXXX FOR STANDARD PRODUCT.

| PART No.                | DIM 'A'          | DIM 'B'          | DIM 'C'          | DIM 'D'          |
|-------------------------|------------------|------------------|------------------|------------------|
| M22-53202XXR            | 16.00            | 7.50             | 4.20             | N/A              |
| M22-53203XXR            | 16.00            | 7.50             | 6.20             | N/A              |
| M22-53205XXR            | 24.00            | 11.50            | 10.20            | N/A              |
| M22-53207XXR            | 32.00            | 14.20            | 14.40            | 28.40            |
| <del>M22-53208XXR</del> | <del>32.00</del> | <del>14.20</del> | <del>16.40</del> | <del>28.40</del> |
| <del>M22-53209XXR</del> | <del>32.00</del> | <del>14.20</del> | <del>18.40</del> | <del>28.40</del> |
| <del>M22-53210XXR</del> | <del>44.00</del> | <del>20.20</del> | <del>20.40</del> | <del>40.40</del> |
| <del>M22-53211XXR</del> | <del>44.00</del> | <del>20.20</del> | <del>22.40</del> | <del>40.40</del> |

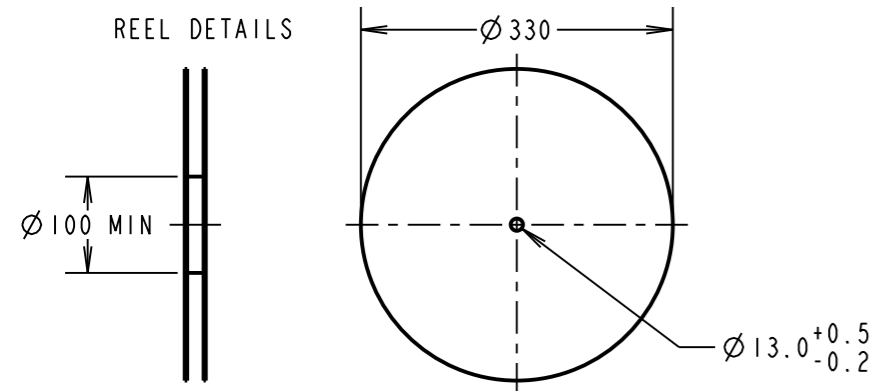
**OBSOLETE**  
All other size/finish combinations not listed above

ORDER CODE:  
**M22-532XXXXR**

No. OF CONTACTS PER ROW:  
02, 03, 05, 07, 08, 09, 10, 11

FINISH:  
05 - GOLD  
46 - 100% TIN

|                |      |           |        |
|----------------|------|-----------|--------|
| SB             | 12   | 27.04.15  | 12763  |
| NAME           | ISS. | DATE      | C/NOTE |
| APPROVED:      |      | S.BENNETT |        |
| CHECKED:       |      | M.PLESTED |        |
| DRAWN:         |      | J.KEIR    |        |
| CUSTOMER REF.: |      |           |        |
| ASSEMBLY DRG:  |      |           |        |



**HARWIN**

www.harwin.com  
technical@harwin.com

THIS DRAWING AND ANY INFORMATION OR DESCRIPTIVE MATTER SET OUT HEREON ARE CONFIDENTIAL AND COPYRIGHT PROPERTY OF THE HARWIN GROUP AND MUST NOT BE DISCLOSED, LOANED, COPIED OR USED FOR MANUFACTURING, TENDERING OR FOR ANY OTHER PURPOSE WITHOUT THEIR WRITTEN PERMISSION.

TOLERANCES  
X. = ±1mm  
X.X = ±0.50mm  
X.XX = ±0.10mm  
X.XXX = ±0.01mm  
ANGLES = 2±5°  
UNLESS STATED

MATERIAL: SEE ABOVE  
FINISH: SEE ABOVE  
S/AREA: mm<sup>2</sup>

TITLE: 2.00mm PITCH DIL SMT PIN HEADER ASSEMBLY (WITH P/PLACE CAP, T/REEL)

DRAWING NUMBER:  
**M22-532XXXXR**

SHT 4 OF 4