

4

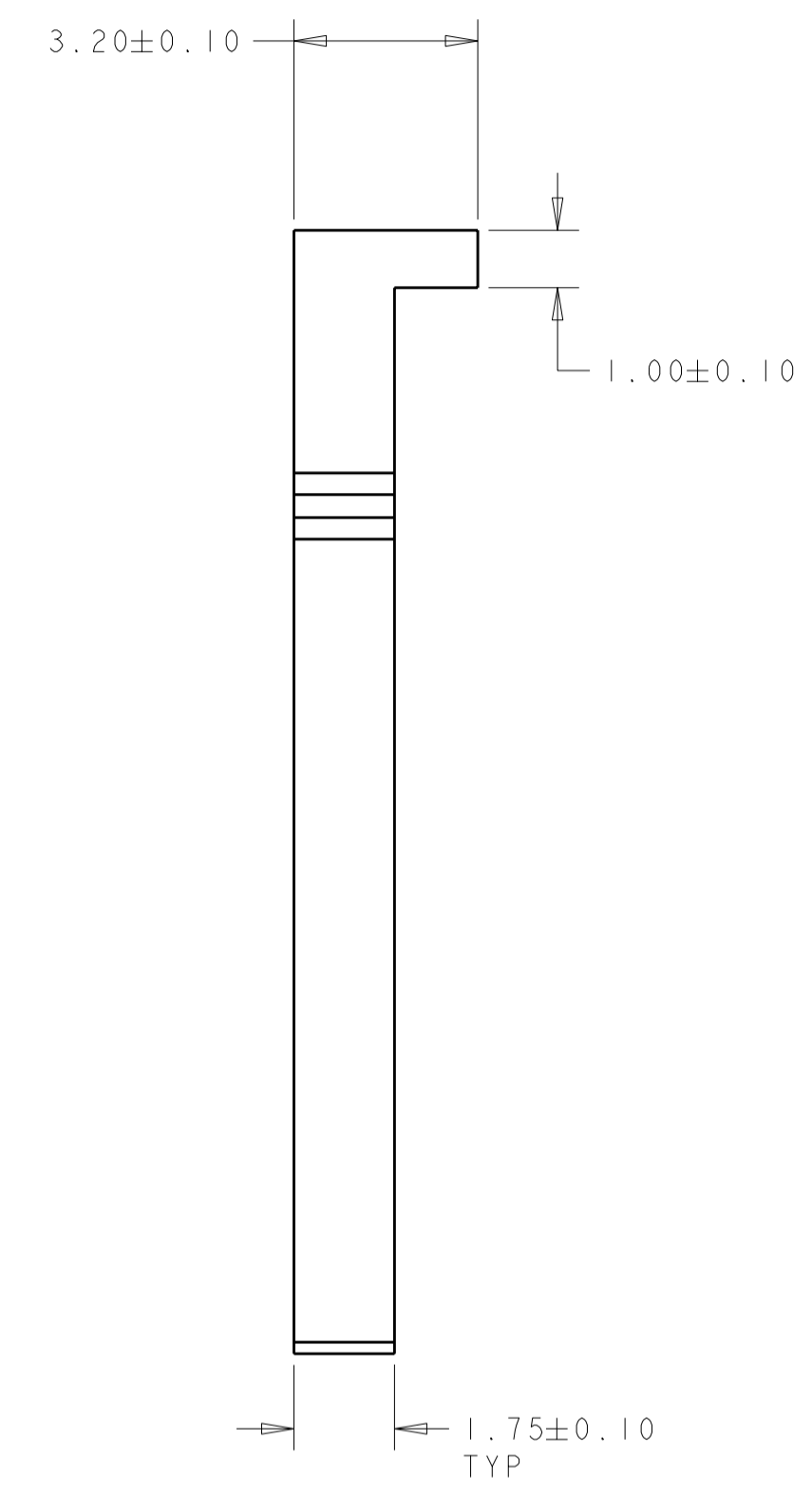
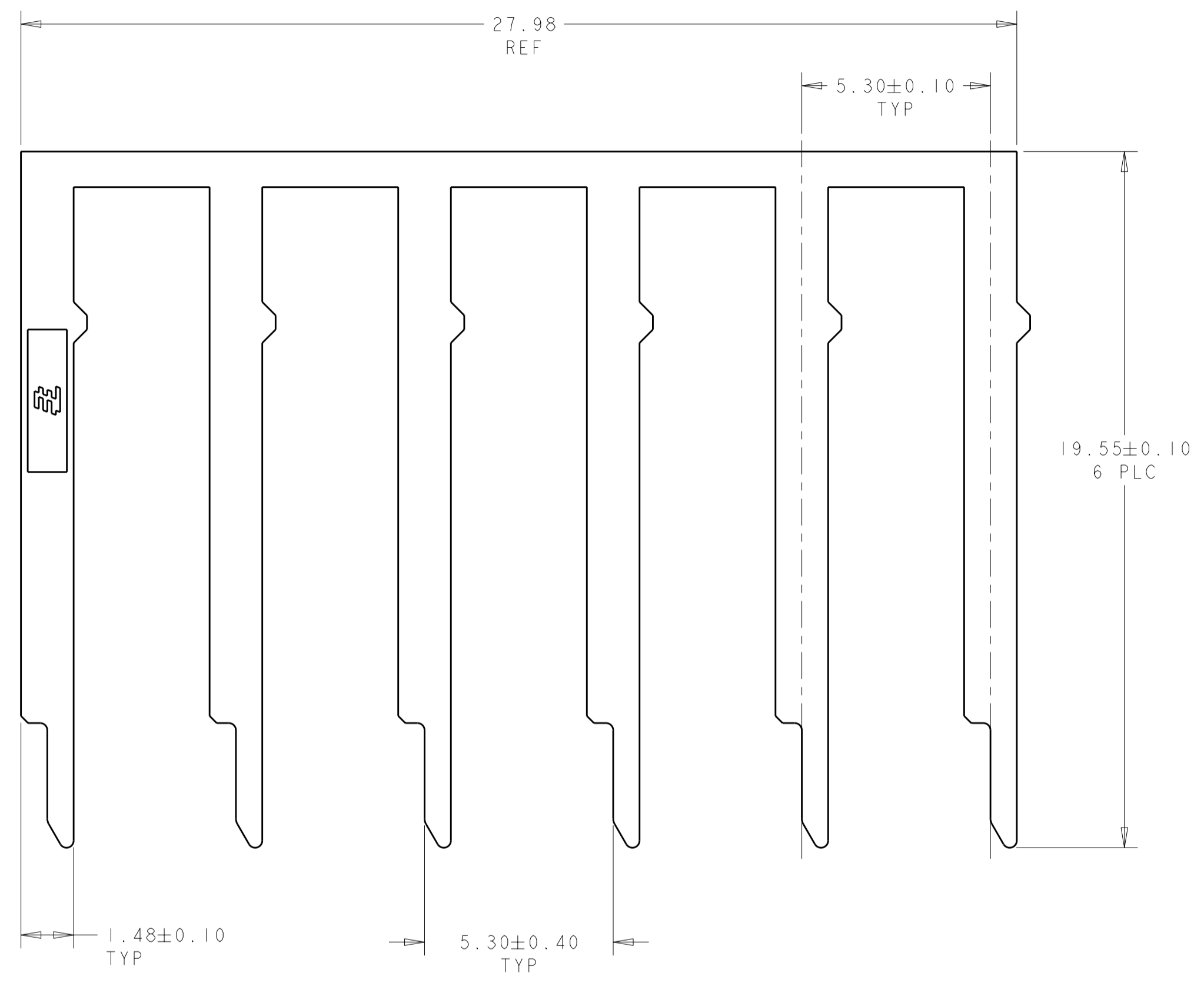
3

2

1

THIS DRAWING IS UNPUBLISHED. RELEASED FOR PUBLICATION 2006
 © COPYRIGHT 2006 BY TYCO ELECTRONICS CORPORATION. ALL RIGHTS RESERVED.

LOC	DIST	REVISIONS			
P	LTR	DESCRIPTION	DATE	DWN	APVD
AD	00	AI	RELEASED PER ECR-10-018434	14OCT2010	HMR KR



△ MATERIAL: PBT, NATURAL.

1469910-1
PART NO

THIS DRAWING IS A CONTROLLED DOCUMENT FOR TYCO ELECTRONICS CORPORATION. IT IS SUBJECT TO CHANGE AND THE CONTROLLING ENGINEERING ORGANIZATION SHOULD BE CONTACTED FOR THE LATEST REVISION.		DWN S. J. MAGARO 10MAY2006	Tyco Electronics Harrisburg, PA 17105-3608	
DIMENSIONS: mm		CHK C. RITTER 10MAY2006	NAME POSITIVE LOCK, 48 POSITION AMP-DUAC UPC	
TOLERANCES UNLESS OTHERWISE SPECIFIED: 0 PLC ± 1 PLC ± 2 PLC ± 3 PLC ± 4 PLC ± ANGLES ± FINISH		APVD C. RITTER 26OCT2006	RESTRICTED TO	
MATERIAL		PRODUCT SPEC 108-2248	SIZE A20779	CAGE CODE C-1469910
△		APPLICATION SPEC 114-13195	DRAWING NO 1469910	
		WEIGHT -	SCALE 8:1	
		CUSTOMER DRAWING		SHEET 1 OF 1
				REV A1

CONFIDENTIAL