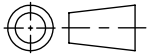
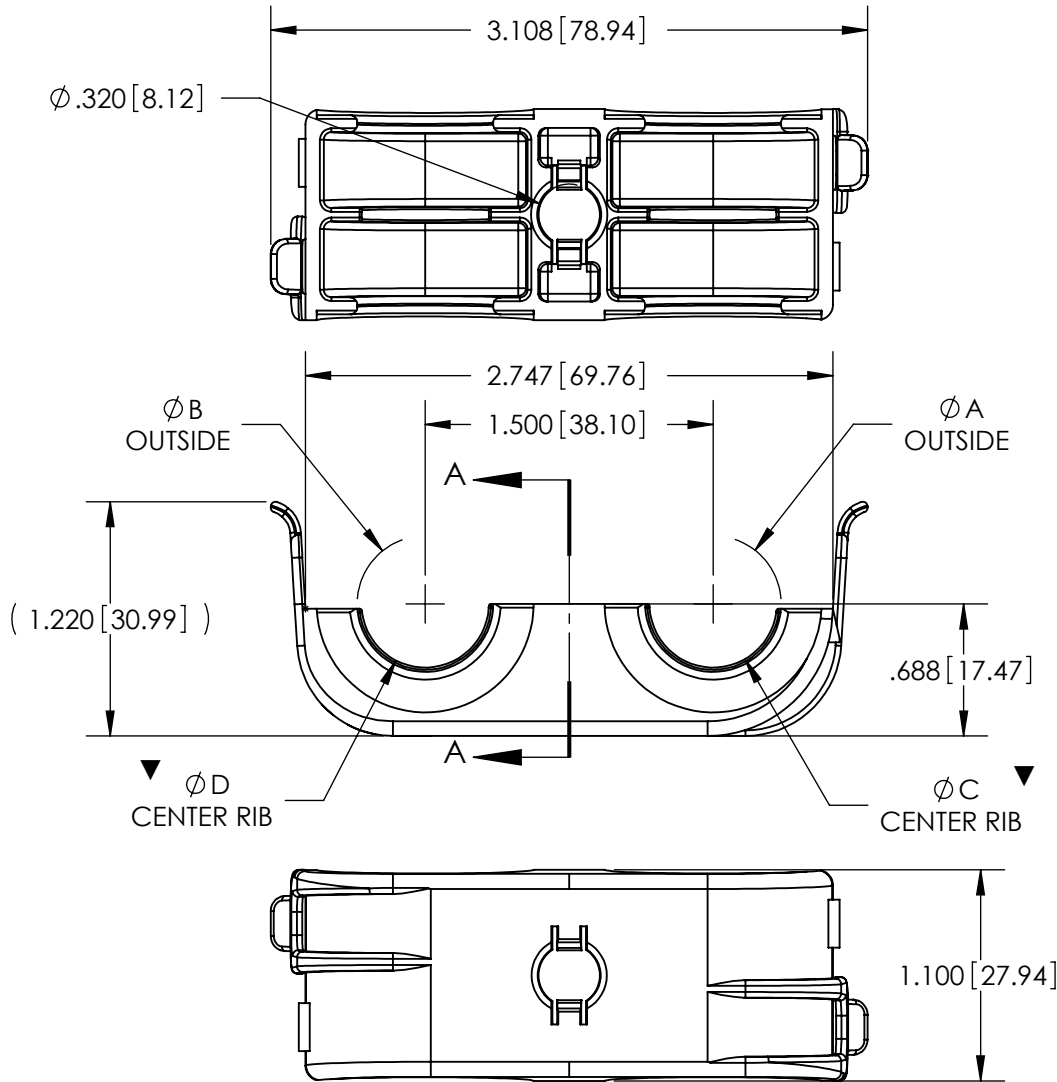


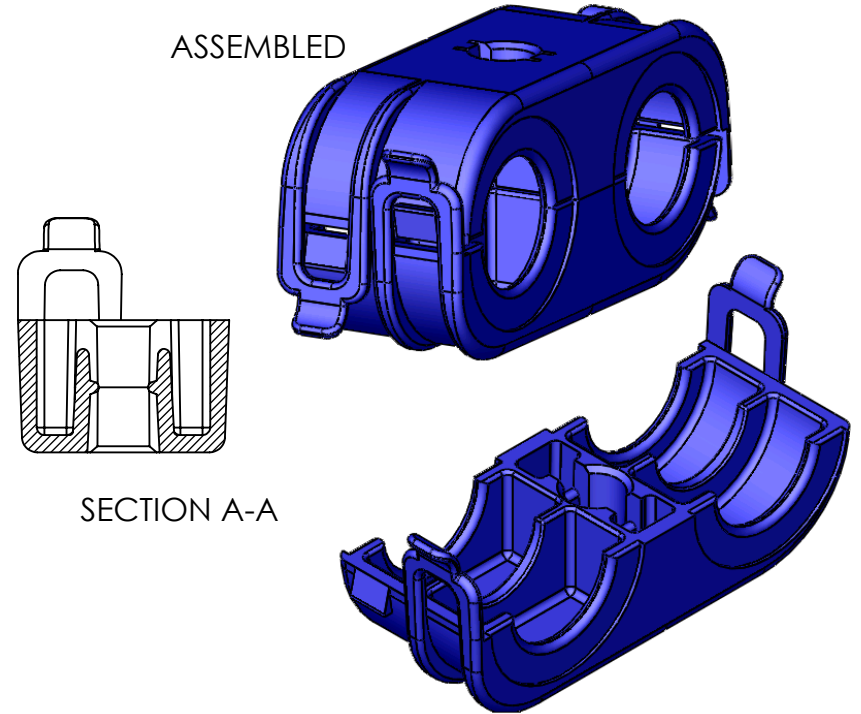
SW2011



Revision level		Revision Record	Changed	Date	Approved	Date
Drawing	Part					
02	-	SEE ECN# 012258	CJR	07/31/2012	MHT	01/10/2013



ASSEMBLED



TYPE	Ø A	Ø B	Ø C ▼	Ø D ▼
HC2A	$\frac{1.000}{[25.40]}$	$\frac{1.000}{[25.40]}$	$\frac{.960}{[24.38]}$	$\frac{.960}{[24.38]}$
HC2B	$\frac{.725}{[18.42]}$	$\frac{.725}{[18.42]}$	$\frac{.685}{[17.40]}$	$\frac{.685}{[17.40]}$
HC2C	$\frac{1.000}{[25.40]}$	$\frac{.725}{[18.42]}$	$\frac{.960}{[24.38]}$	$\frac{.685}{[17.40]}$
HC2D	$\frac{1.000}{[25.40]}$	$\frac{.690}{[17.53]}$	$\frac{.960}{[24.38]}$	$\frac{.650}{[16.51]}$
HC2E	$\frac{.513}{[13.03]}$	$\frac{.513}{[13.03]}$	$\frac{.600}{[15.24]}$	$\frac{.600}{[15.24]}$

▼ = CRITICAL DIMENSION

Material  
PA66HIRGF13

Units: inches  
Dimension without tolerances details to:  
.xxxx = ±.0005  
.xxx = ±.005  
.xx = ±.01  
.x = ±.03  
None = ±.06  
∠ = ±0.5°  
Dimension Formatted in [mm]

The copyright of this drawing is reserved by HellermannTyton. It is issued on condition that it is not reproduced, copied, or disclosed to a third party, either wholly or in part, without the consent of HellermannTyton.

Drawn MHT 01/12/2012  
Approved  
**HellermannTyton**  
North America  
Email: corp@htamericas.com  
Web: www.hellermann.tyton.com

Article/Type-No SEE CHART  $\triangle_{02}$   
Title HC2 HOSE CLAMPS  
Drawing-No 11-0740-001-CSU  
Production : Phase  
Scale 1:1  
Project Number PRP 11-0740  
Format AH  
Sheet 1/1