

- NOTES:**
1. MATERIAL: HOUSING - LIQUID CRYSTAL POLYMER (LCP) GLASS-FILLED, UL 94V-0, COLOR - GRAY, ELECTRICALLY ENHANCED INSERT - CONDUCTIVE RESIN, COLOR - BLACK, SIGNAL CONTACT AND GROUND BLADE - HIGH PERFORMANCE COPPER ALLOY.
  2. FINISHES: SELECTIVE GOLD (Au) ON CONTACT AREA, SELECTIVE MATTE TIN (Sn) ON PCB TAILS, NICKEL (Ni) OVERALL.
  3. THIS PART CONFORMS TO MOLEX PRODUCT SPECIFICATION PS-75221-999.
  4. FOR MIXED CONTACT MATING LENGTHS CONSULT MOLEX FOR AVAILABILITY. CONTACT PAIRS MUST BE THE SAME LENGTH.
  5. FOR SPECIFIC PART NUMBER AND MATING INFORMATION PLEASE REFER TO CHART.
  6. PACKAGE PER PK-70873-565.
  7. EITHER MARK PART NUMBER AND DATE CODE APPROXIMATELY WHERE SHOWN, ON EITHER SIDE OF THE PART, OR PLACE A LABEL ON THE TUBE.
  8. OPTIONAL HOLE LOCATION FOR GROUNDED GUIDE PIN OR ADDITIONAL GUIDE PIN SUPPORT. SEE DRAWING SD-75234-100 FOR DETAIL & LOCATION.
  9. MINIMUM BOARD THICKNESS: 1.6
  10. THESE PARTS CONFORM TO MOLEX COSMETIC SPECIFICATION PS-45499-002 CLASS B.
  11. MAPS (MOLEX ADVANCED PLATING SYSTEM).

75848-3\*\*\*

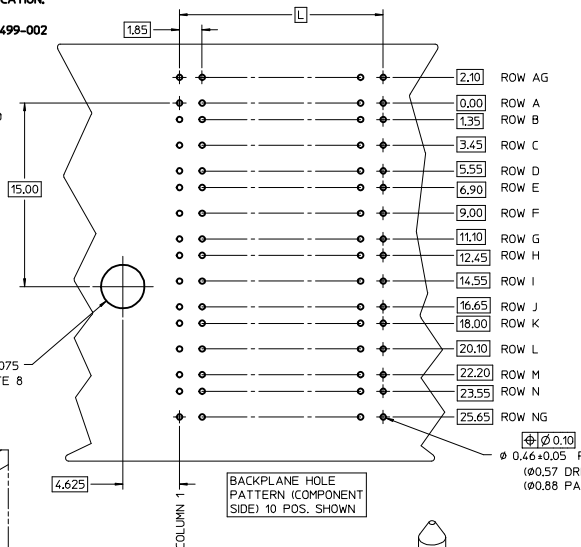
PIN LENGTH DIM. MM	GOLD (Au) THICKNESS micrometers
0-3.55 mm	0.25 (MAPS)
1-4.55 mm	
2-5.55 mm	
3-3.55 mm	0.76
4-4.55 mm	
5-5.55 mm	
7-3.55 mm	
8-4.55 mm	
9-5.55 mm	1.27

COLUMN 31 = 10 COL  
32 = 25 COL

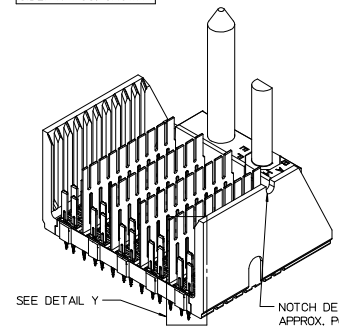
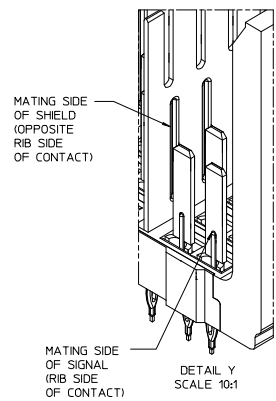
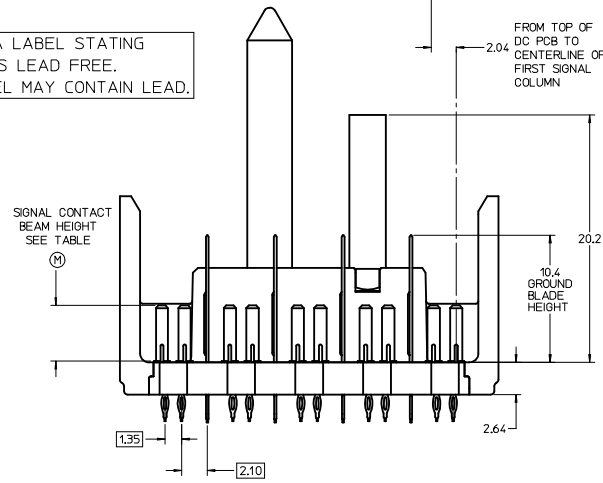
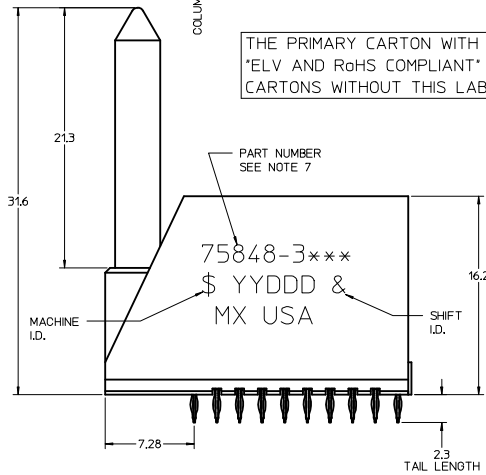
KEYING ORIENTATION (SEE TABLE)

LEAD-FREE PLATING

ROWS AG & NG RECOMMENDED FOR ALL APPLICATIONS. THESE ROWS SHOULD BE CONNECTED TO GROUND



THE PRIMARY CARTON WITH A LABEL STATING "ELV AND RoHS COMPLIANT" IS LEAD FREE. CARTONS WITHOUT THIS LABEL MAY CONTAIN LEAD.



PART NUMBER TABLE

ASSY PART NO.	K	L	P	TOTAL NO. OF DIFFERENTIAL PAIRS
75848-31**	9	16.65	24.78	50
75848-32**	24	44.40	52.53	125

P/N	---0*	---1*	---2*	---3*	---4*	---5*	---6*	---7*	---8*
75848-( )	0	A	B	C	D	E	F	G	H

KEYING PIN ORIENTATION

QUALITY SYMBOLS	GENERAL TOLERANCES (UNLESS SPECIFIED)		DIMENSION STYLE	SCALE	DESIGN UNITS	THIRD ANGLE PROJECTION
	mm	INCH	MM ONLY	5:1	METRIC	⊙ □
▽=0	4 PLACES ±---	±---				
▽=0	3 PLACES ±---	±---				
▽=0	2 PLACES ±0.25	±---				
	1 PLACE ±0.38	±---				
	0 PLACE ±---	±---				
	ANGULAR ±1/2°					
	DRAFT WHERE APPLICABLE MUST REMAIN WITHIN DIMENSIONS					
REV TO LEAD-FREE	REV	DESCRIPTION	MATERIAL NO.	DATE	DOCUMENT NO.	SHEET NO.
EC NO. IJCP 2013-1905	2012/09/07	2012/09/07	CHYKMOLE	2012/12/05	SD-75848-310	1 OF 1
DRYKMOLE	2012/09/07	2012/09/07	APPR-SMILLER	2012/12/05		

DRAWN BY: JB INGHAM DATE: 2008/01/28  
CHECKED BY: JL LAUR DATE: 2008/01/28  
APPROVED BY: SMILLER DATE: 2012/12/05

TITLE: GBX 5-PAIR BACKPLANE LF ELECTRICALLY ENHANCED LEFT END SALES ASSEMBLY

**molex**

THIS DRAWING CONTAINS INFORMATION THAT IS PROPRIETARY TO MOLEX INCORPORATED AND SHOULD NOT BE USED WITHOUT WRITTEN PERMISSION