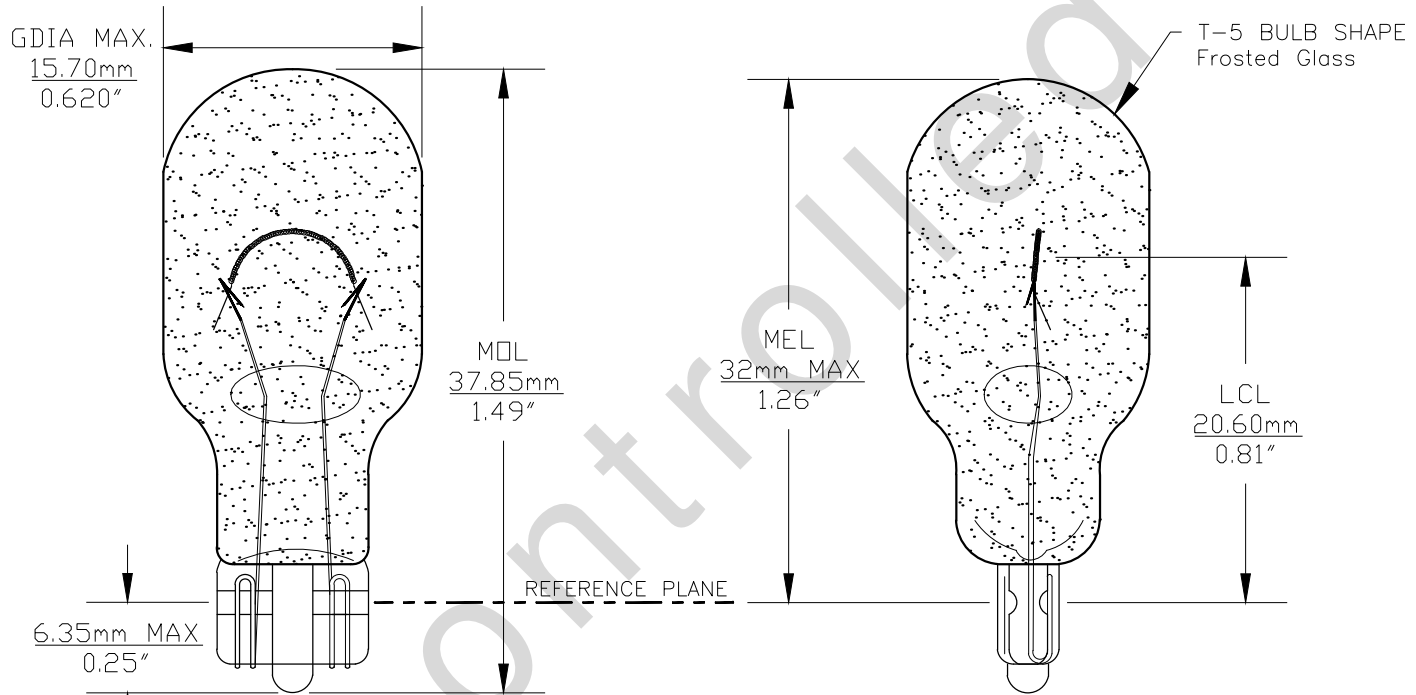


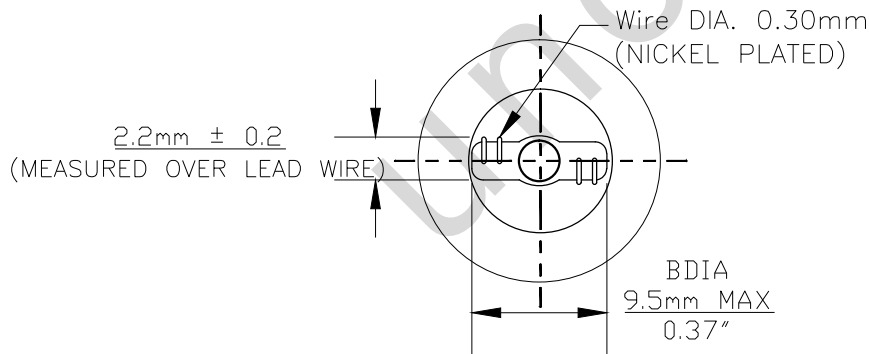


PART NO.	BASE TYPE	DESIGN VOLTS	DESIGN AMPS	MSCD	FILAMENT TYPE	AVERAGE LIFE HOURS	REVISIONS			
							REV #	DESCRIPTION	DATE	APPROVED
921F	Glass Wedge (T-5)	12.8V	1.4±10%	21.0±30%	C-2R	1000	1	ISSUED	06/26/2014	R.M.



0° VIEW

90° VIEW



BASE BOTTOM VIEW

Note: Made according to SAE specifications



UNLESS OTHERWISE SPECIFIED: DIMENSIONS ARE IN INCHES TOLERANCES		CEC INDUSTRIES LTD			
DECIMALS	ANGULAR	599 BOND STREET		LINCOLNSHIRE, IL 60069	
.XX ± .05	± 0.5°	TITLE LIGHT BULB NO. 921F			
.XXX ± .010		DATE	06/26/2014	SIZE	A
FRACTIONAL	± 1/64	CHECKED		FSCM NO.	
		DESIGN		DWG NO.	921F
		MATERIAL		SCALE	
				PLOT SCALE	
				SHEET	1 OF 1
				FILE	921F.pdf
				DRAWING NOT TO SCALE	