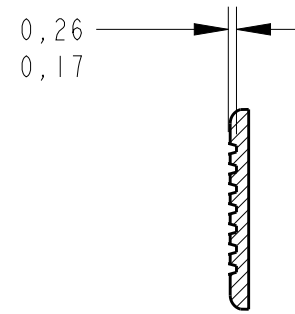
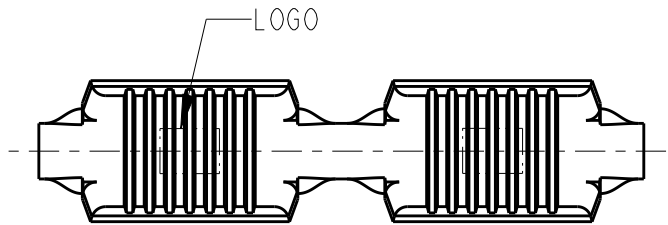
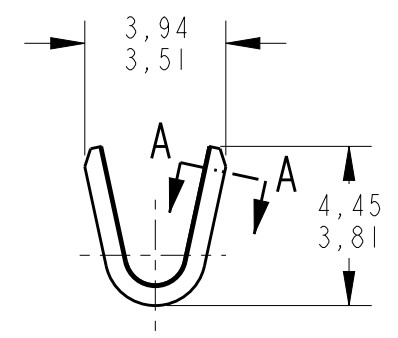
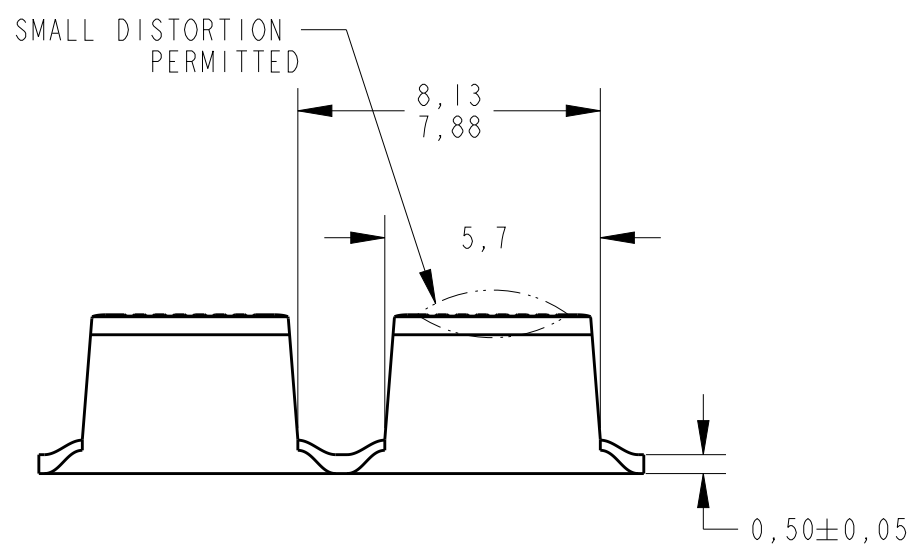


SCALE 2:1

REVISIONS				
P	LTR	DESCRIPTION	DATE	APVD
	T4	REDRAWN AND REV. BY ECO16-005110	12JULY2016	WLS
	T5	REVISED BY ECO 16-010925	25JULY2016	WLS



SECTION A-A



- ① - NOT FOR USE WITH ALUMINUM MAGNET WIRE, USE WITH COPPER MAGNET WIRE ONLY.
- ② - PACKAGING 20.000 PCS/REEL WITH PAPER INTERLEAVE - 3 REELS/BOX.

WIRE RANGE  
1500-5000 CMA

—	BRASS	1-280002-1	②	①
TIN PLATED	BRASS	280002-2		
—	BRASS	280002-1	①	
FINISH	MATERIAL	PART NUMBER		

THIS DRAWING IS UNPUBLISHED.  
 ALL RIGHTS RESERVED.  
 © COPYRIGHT copyright\_dBTe -

DIMENSIONS: mm	DWN H.C. CANTERI	21 JAN 2015	MATERIAL	-	FINISH	-
	CHK W.L. STEFANI	21 JAN 2015	TE Connectivity			
TOLERANCES UNLESS OTHERWISE SPECIFIED:	APVD	-				
0 PLC ±-	PRODUCT SPEC	-	NAME AMPLIVAR SPLICE			
1 PLC ±0,4	APPLICATION SPEC	-	SIZE	A 4	CAGE CODE	C-280002
2 PLC ±-	WEIGHT	-	DRAWING NO	RESTRICTED TO		
3 PLC ±-			SCALE 5:1			
4 PLC ±-			SHEET 1 OF 1			
ANGLES ±-			REV T5			
CUSTOMER DRAWING						