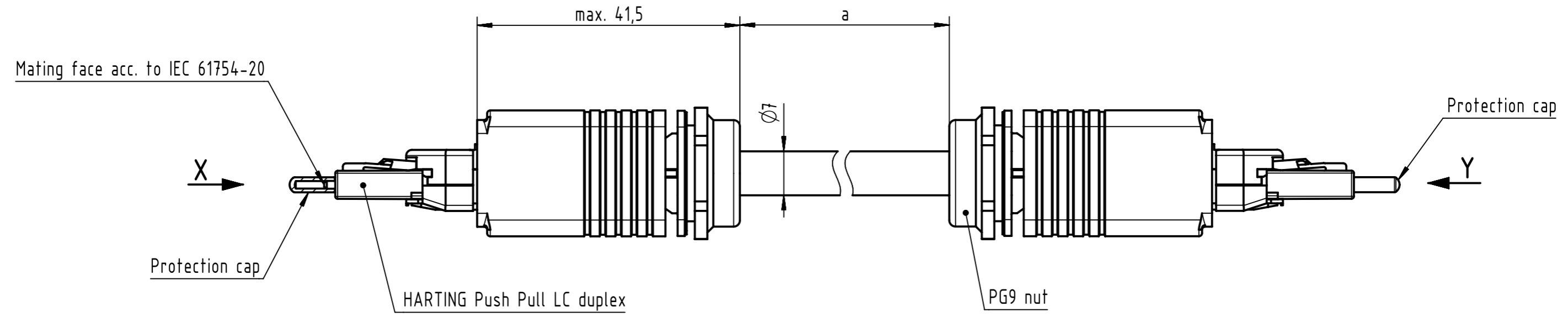


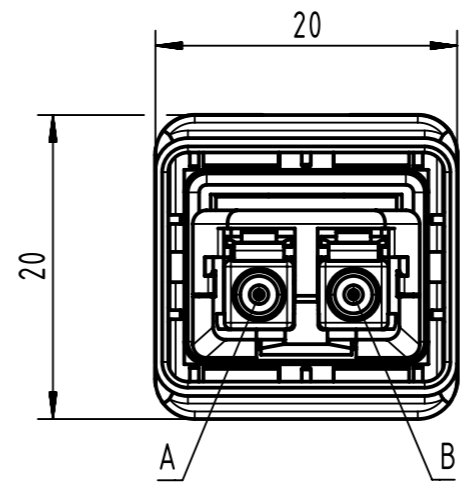
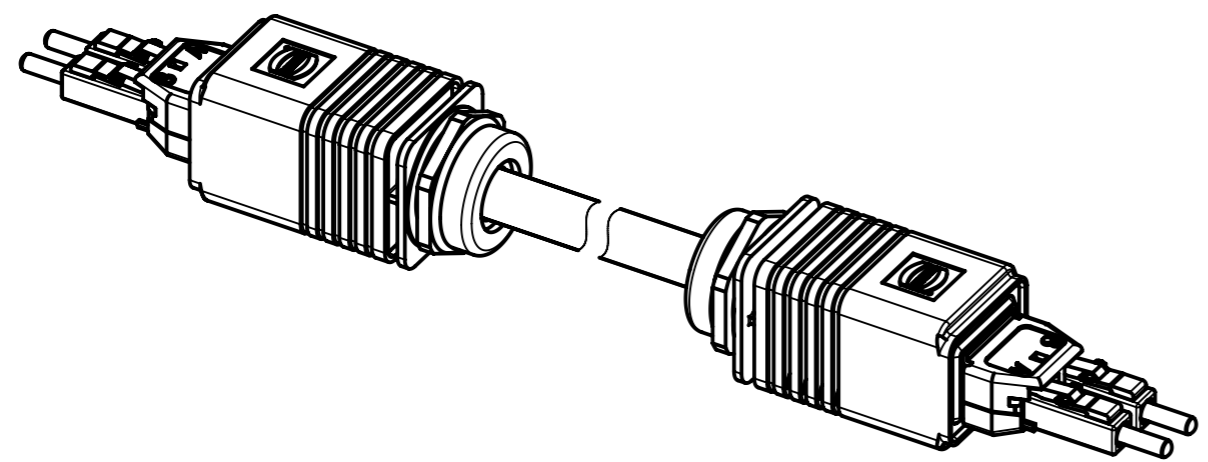
Connector Location A

Connector Location B

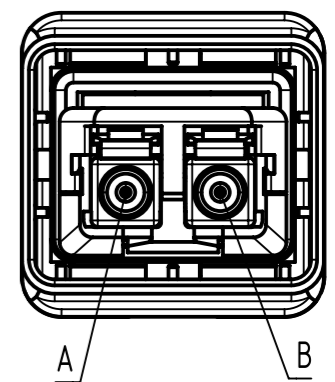
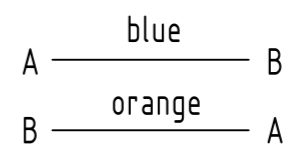


**X**  
male  
(without protection cap)

**Y**  
male  
(without protection cap)



Loading-Plan



10	3358211300001	F.O. breakout cable MM 62.5/125µm	300
9	3358211100001		100
8	3358211060001		60
7	3358211050001		50
6	3358211040001		40
5	3358211020001		20
4	3358211010001		10
3	3358211005001		5
2	3358211003001		3
1	3358211001001		1
Cont. no.	HARTING part no.	Type of cable	Dim. a[m]

-Protection level: IP67/65  
-Temperature range: -40°C ... +70°C

All Dimensions in mm
Tech. Character.
Free size tol.
According to production drawing

---

All rights reserved
Created by COSTEA
Inspected by MUNTEANV
Standardisation AVRAM
Date 2017-10-05
State Final Release

---

Department HCS - RO
Title HARTING PushPull LC Cable Assembly
Doc-Key / ECM-Nr. 100173352/UGD/009/B 500000126136

---

HARTING Customised Solutions D-32427 Minden
Type TB
Number 3358211XXX0001
Rev. B Page 1/1