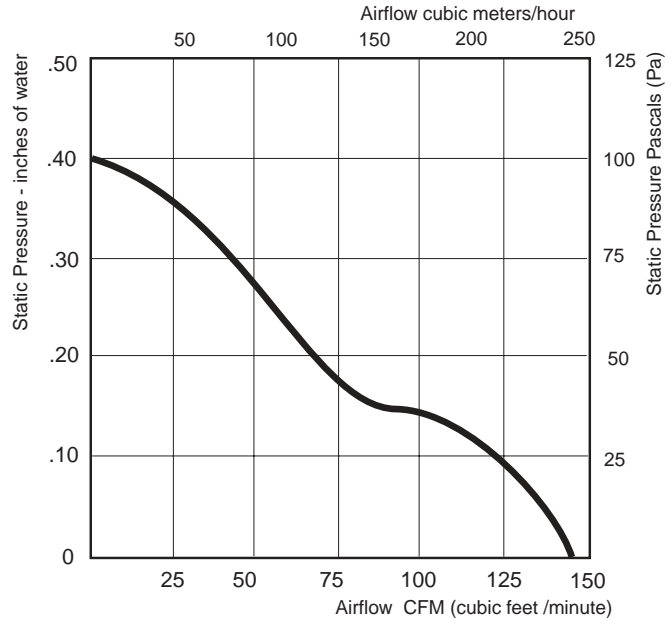
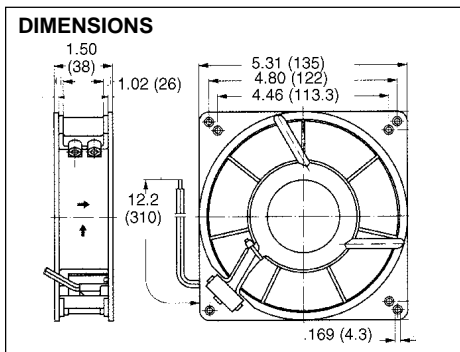


135 x 38 mm (5.3" X 1.5") Brushless DC

5100 Series



5.31" X 5.31" X 1.50" Brushless DC, All Metal, Air Exhaust – Over Struts

PART NUMBER	Type of Bearing	DC Volts	Voltage Range	Watts	CFM @ 0"	Temp. dBA	Wgt. Max °C (oz)	Features	Approvals*		
									UL	CSA	VDE
5112N	Ball	12	6 - 15	9.5	147	48	72	23 22 AWG 12.2" Leads	✓	✓	✓
5162N	Ball	12	6 - 15	9.5	147	48	72	23 .03" Terminals (up)	✓	✓	✓
5172N	Ball	12	6 - 15	9.5	147	48	72	23 .03" Terminals (down)	✓	✓	✓
5182N	Ball	12	6 - 15	9.5	147	48	72	23 .02" Terminals (up)	✓	✓	✓
5192N	Ball	12	6 - 15	9.5	147	48	72	23 .02" Terminals (down)	✓	✓	✓
5114N	Ball	24	12 - 30	9.5	147	48	72	23 22 AWG 12.2" Leads	✓	✓	✓
5118N	Ball	48	24 - 60	9.5	147	48	72	23 22 AWG 12.2" Leads	✓	✓	✓

* UL yellow card E38324, CSA file 27697, VDE file 8324

CONSTRUCTION MOUNTING & CONNECTION	Mounting:	From either face using .169" (4.3 mm) holes	Connection:	Terminals two flat pins: .110" x .02" (2.8 x .5 mm) .110" x .03" (2.8 x .76 mm) Leads: red (+), black (-)
	Weight:	23 ounces (650g)	Options:	Hall Effect monitor
	Housing:	Metal with metal impeller		