

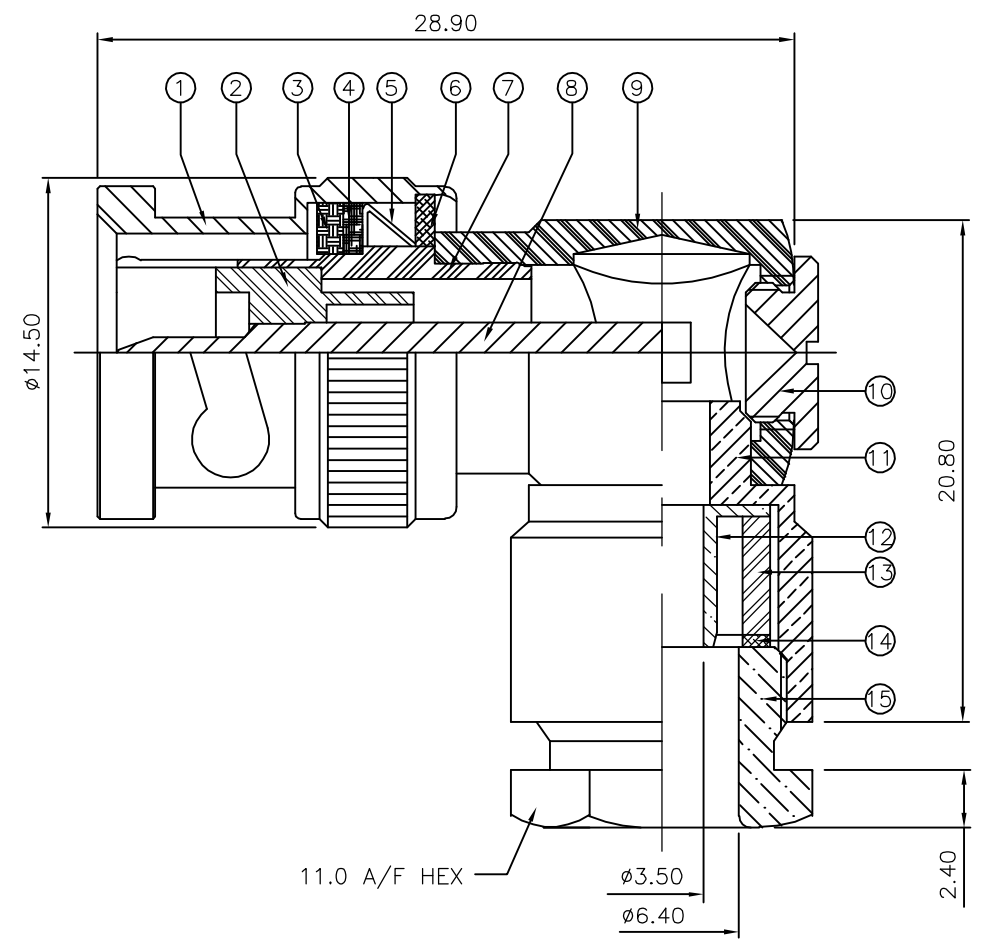
THIS DRAWING IS UNPUBLISHED. RELEASED FOR PUBLICATION JAN ,2006.

© COPYRIGHT 2006 BY TYCO ELECTRONICS CORPORATION. ALL RIGHTS RESERVED.

LOC	DIST	REVISIONS					
E	B	P	LTR	DESCRIPTION	DATE	DWN	APVD
		C		ECR-05-017969	12JAN06	JMS	FWK

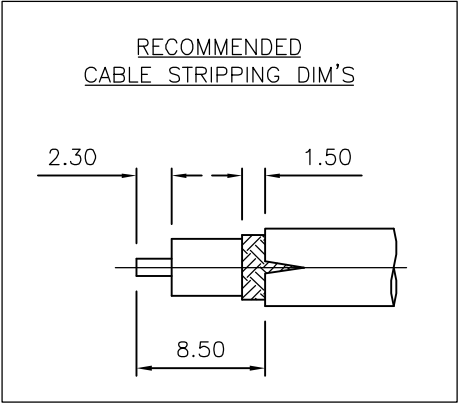
NOTES:

- 1 PACK IN ACCORDANCE WITH AMP SPEC 107-3275
- 2 100 TRAY PACK IN ACCORDANCE WITH AMP SPEC 107-3275
- 3 Ag PLATING
- 4 THIS ITEM MUST BE WHITE
- 5 ELECTRICAL CHARACTERISTICS
 FREQUENCY RANGE: DC - 2 GHz
 NOMINAL IMPEDANCE: 75 Ohm
 INSULATION RESISTANCE: 5000 MOhm
 WORKING VOLTAGE: 500 Volts RMS at Sea Level
 DIELECTRIC WITHSTAND VOLTAGE: 1500 Volts RMS Max
 CONTACT RESISTANCE:
 CENTRE CONTACT: 1.50 mOhm Max
 OUTER CONTACT: 0.20 mOhm Max
 VSWR @ 2GHz: 1.25:1 Max
 INSERTION LOSS dB @ x 2 GHz: 0.30 Max
- 6 MECHANICAL CHARACTERISTICS
 COUPLING RETENTION FORCE: 445N Min
 CABLE RETENTION FORCE: 170N Min
 CLAMP NUT RECOMMENDED TORQUE: 4N
 DURABILITY: 500 Cycles Min
- 7 ENVIRONMENTAL CHARACTERISTICS
 OPERATING TEMPERATURE: -65 to +165 DegC



QTY	PLC	PLC	MATERIAL	DESCRIPTION	ITEM
1	1		BRASS	CLAMP NUT	15
1	1		BRASS	WASHER	14
1	1		SILICON RUBBER	GASKET	13
1	1		BRASS	FERRULE	12
1	1		BRASS	CHASSIS	11
1	1		BRASS	CAP	10
1	1		BRASS	BODY II	9
1	1		BRASS	CONTACT	8
1	1		BRASS	BODY I	7
1	1		BRASS	WASHER	6
1	1		SPRING STEEL	SPRING	5
1	1		BRASS	RETAINING RING	4
1	1		SILICON RUBBER	GASKET	3
1	1		PTFE	INSULATION	2
1	1		BRASS	SHELL	1
6--0	1--0		MATERIAL	DESCRIPTION	ITEM

QUANTITY PER ASSY		PARTS LIST	
DWN J.SANDWELL 12JAN06		Tyco Electronics Corporation	
CHK S.PARLOW 12JAN06		Bideford EX39 4HE	
APVD F.WHEELER-KING 12JAN06		NAME	
PRODUCT SPEC		BNC ELBOW PLUG SOLDER 75 OHM	
APPLICATION SPEC		URM 70	
SIZE	CAGE CODE	DRAWING NO	RESTRICTED TO
A3	00779	C-1337491	-
CUSTOMER DRAWING		SCALE	SHEET 1 OF 1 REV C
		NTS	



THIS DRAWING IS A CONTROLLED DOCUMENT.	
DIMENSIONS: mm	TOLERANCES UNLESS OTHERWISE SPECIFIED:
	0 PLC ± -
	1 PLC ± -
	2 PLC ± -
	3 PLC ± -
	4 PLC ± -
	ANGLES ± -
MATERIAL SEE TABLE	FINISH -